

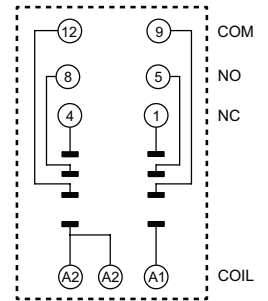
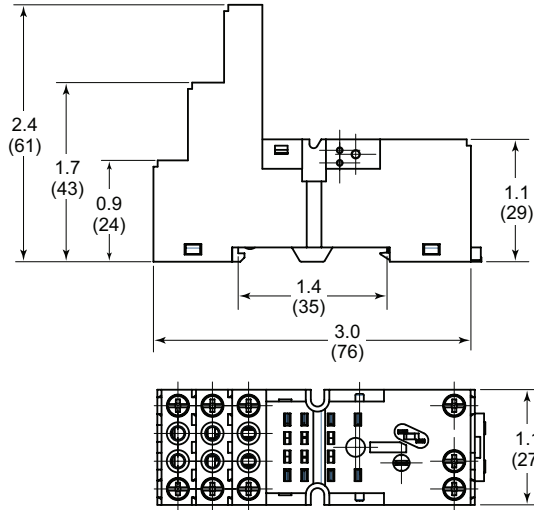
SOCKETS & ACCESSORIES

SB2ZC5 8 Blade Terminal Sockets DIN-Rail or Screw Mounting



- ◆ Optional retainer (See page 10)
- ◆ Tighten terminal screws to recommended torque of 5.31 in-lb
- ◆ Approximate weight: 0.14 lb (64g)

Approvals: UL/cUL, CE, RoHS compliant

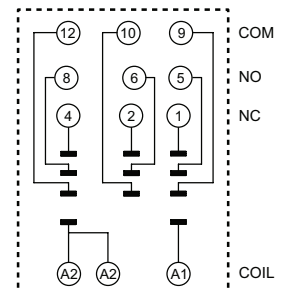
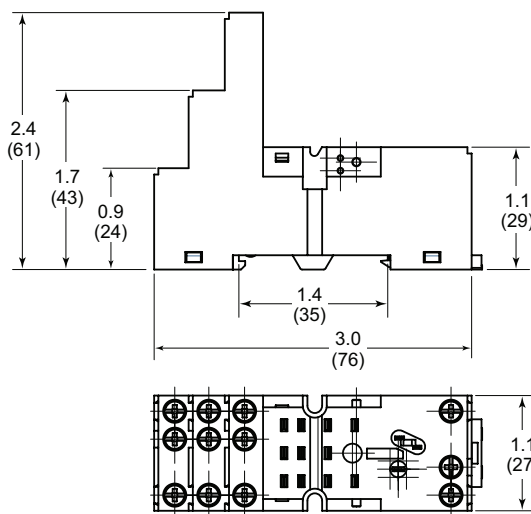


SB3ZC5 11 Blade Terminal Sockets DIN-Rail or Screw Mounting



- ◆ Optional retainer (See page 10)
- ◆ Tighten terminal screws to recommended torque of 5.31 in-lb
- ◆ Approximate weight: 0.16 lb (71 g)

Approvals: UL/cUL, CE, RoHS compliant



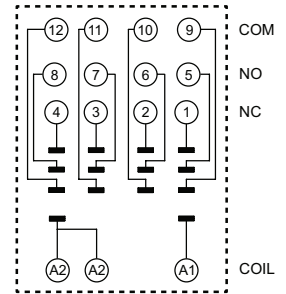
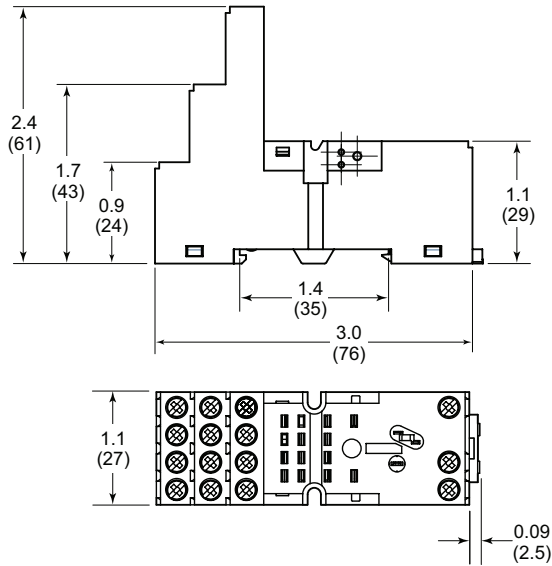
SOCKETS & ACCESSORIES

SB4ZC5 14 Blade Terminal Sockets DIN-Rail or Screw Mounting



- ◆ Optional retainer (See page 10)
- ◆ Tighten terminal screws to recommended torque of 5.31 in-lb
- ◆ Approximate weight: 0.16 lb (71 g)

Approvals: UL/cUL, CE, RoHS compliant

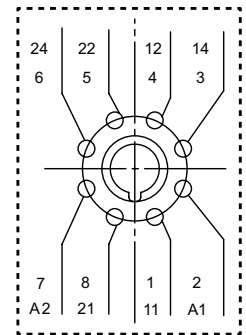
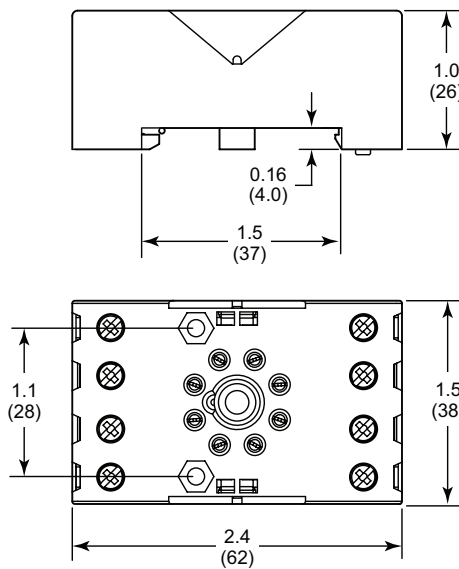


SR2ZC3 Octal (Round) 8 Pin Sockets DIN-Rail or Screw Mounting



- ◆ Tighten terminal screws to recommended torque of 5.31 in-lb
- ◆ Approximate weight: 0.11 lb (49 g)

Approvals:



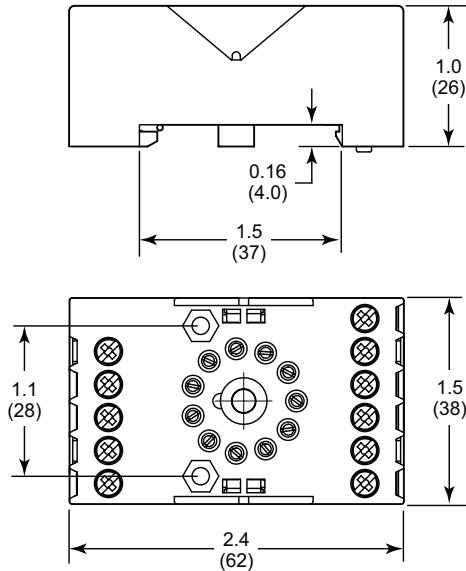
SOCKETS & ACCESSORIES

SR3ZC3 Octal (Round) 11 Pin Sockets DIN-Rail or Screw Mounting

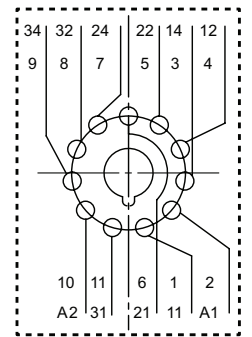


- ◆ Tighten terminal screws to recommended torque of 5.31 in-lb
- ◆ Approximate weight: 0.12 lb (56 g)

Approvals: UL/cUL, CE, RoHS compliant



Dimensions in Inches (Millimeters)

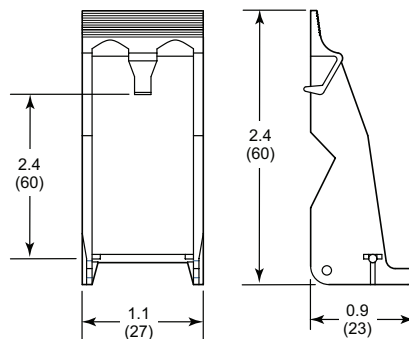


Wiring Diagram

GB-PR Retainer (Plastic) For use with GB Series Blade Relay/Sockets



GB-PR Retainer
(Ordered Separately)

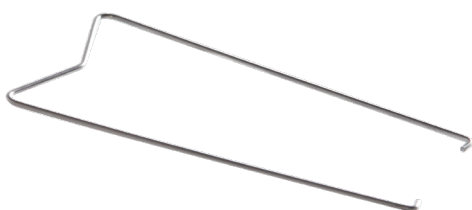


Dimensions in Inches (Millimeters)

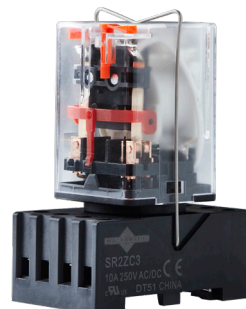


Retainer on GB120A4 Relay
and SB4ZC5 Socket

GR-MR Retainer (Metal) For use with GR Series Octal Relay/Sockets



GR-MR Retainer
(Ordered Separately)



Retainer on GR120A2w Relay
and SR2ZC3 Socket