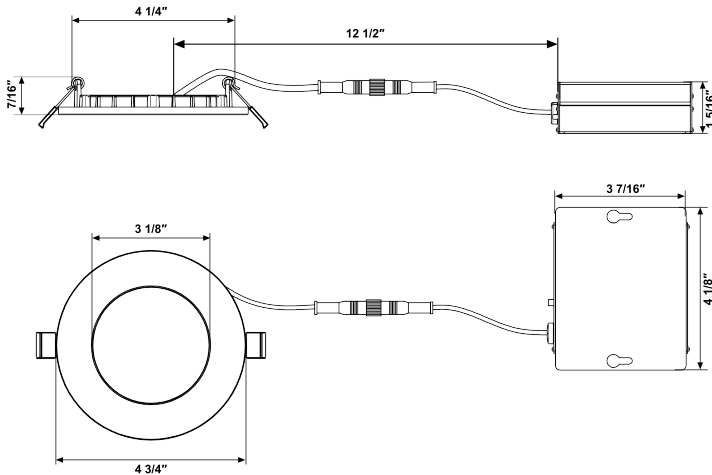


DR40RF-WH/BK/SN

4inch LED Round Ultra Slim Recess downlight(Air tight)

Job Information		
Project Name		Type
Location		
Quantity		Date
Contact/ Name		
Notes		



Dimming

- 10%-100% dimming capability
- Compatible with industry TRIAC/ELV dimmers (contact factory for compatible dimmers list)

Environment

- Suitable for damp locations
- Suitable for insulated ceiling application
- Can be installed indoor and for outdoor applications

Mounting

- Included two springs loaded clips to attach to any ceiling material
- The slim profile allows to be mounted under joists or dock work

Description

- DR40RF, a 12 watt 4-inch All 5CCT slim profile round flat LED panel is a high-performance, easy to install downlight. It offers excellent light output, energy efficiency, and streamlined design. Suitable for damp location and use in soffits.

Beam Spread

- 110 degree beam spread

LED Driver

- Extruded aluminum junction box with integrated 210mA dimmable driver included
- Class II electronic LED driver with 100-125V AC input;
- includes an 12" cable from driver to fixture

Quick Connect Push-in Terminals

- Three "Quick Connect" Push-in terminals for fast and easy wiring

Operating Temperature

- -20°C - 40°C (-4°F - 104°F)

Body

- Durable airtight aluminum
- White polycarbonate diffuser lens for low glare

LED Characteristics

- 12-Watt LED Module
- Minimal heat emission
- Up to 870 Lumens
- Superior LED Performance and lifespan
- Excellent Color rendering with Spotlight

SPECIFICATION

Application	Ceiling Recess Mount	Energy Star	YES
Approved Location	Damp	Input	100-125V AC, 60Hz, 0.09A
Beam Angle	110	LM 79	YES
CTT (5CCT in one)	2700K/3000K/3500K/4000K/5000K	LM 80	YES
Certification	cETLus	Lumens	870
Class II	YES	Lumens per Watt	66.67
Color	White/Black/Brushed Nickel	Power Factor	>0.95
CRI	80+	Projected Life	5 Years
Dimming	YES	Wattage	12 Watt
Dimming Tech	TRIAC/ELV	Cut-Size	4 1/4"