



WL-LED26

LED Wall Light



IDEAL APPLICATIONS

- Entrances
- Walkways
- Exit Doors
- Loading Areas

DESCRIPTION:

The WL-LED26 is a compact, energy efficient wall light is a great security lighting option for building entrances, loading areas, walkways, and exit doors.

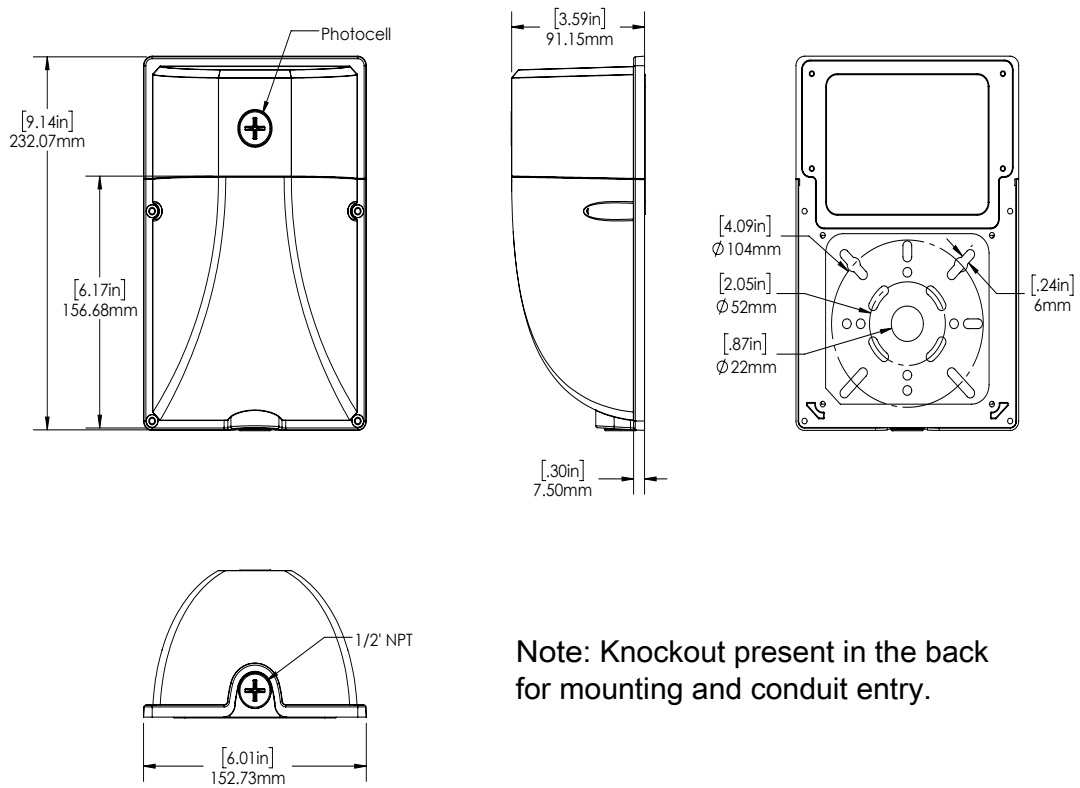
FEATURES:

- Sturdy construction with durable aluminum housing and clear polycarbonate lens to withstand harsh weather conditions.
- The fixture has a 1/2" NPT conduit entry at the bottom and a 1/2" knockout in the back for conduit entry.
- Mounts to a standard junction box.
- Clear polycarbonate lens and white reflector creates bright, widespread illumination.
- Electronic photocell included for dusk to dawn operation.
- Ideal for mounting heights of 10' - 20'.
- Replaces 70W Metal Halide fixtures.

SPECIFICATIONS	WL-LED26
Watts	26.19W
Lumens	3,258 Lm
Efficacy	124 Lm/W
Replaces	70W MH
Voltage	120-277V
Colour Temp	5000K
CRI	74.5
Dimming	0-10V Dimming
THD	14.1%
PF	0.99
LED Life (L80)	>54,000 hours
Operating Temp	-40°C to +40°C
Housing Material	Die Cast Aluminum
Mounting	Wall Mount
Accessories Sold Separately	Wire cage
Certification	ETL Listed, 5 Year Warranty, Wet Locations, DLC Standard

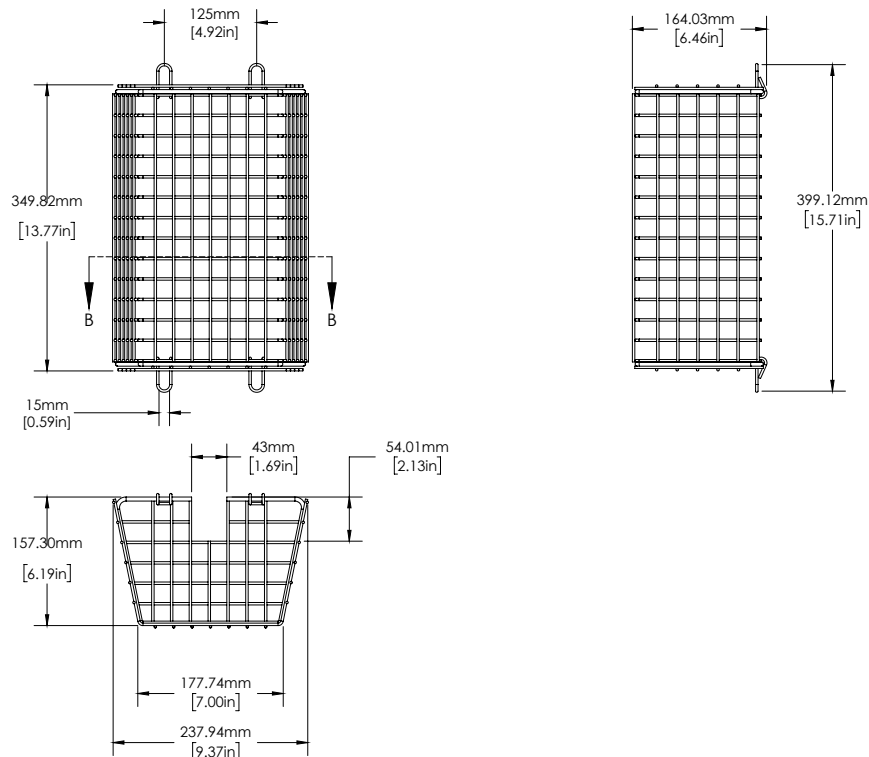


DIMENSIONS:



Note: Knockout present in the back for mounting and conduit entry.

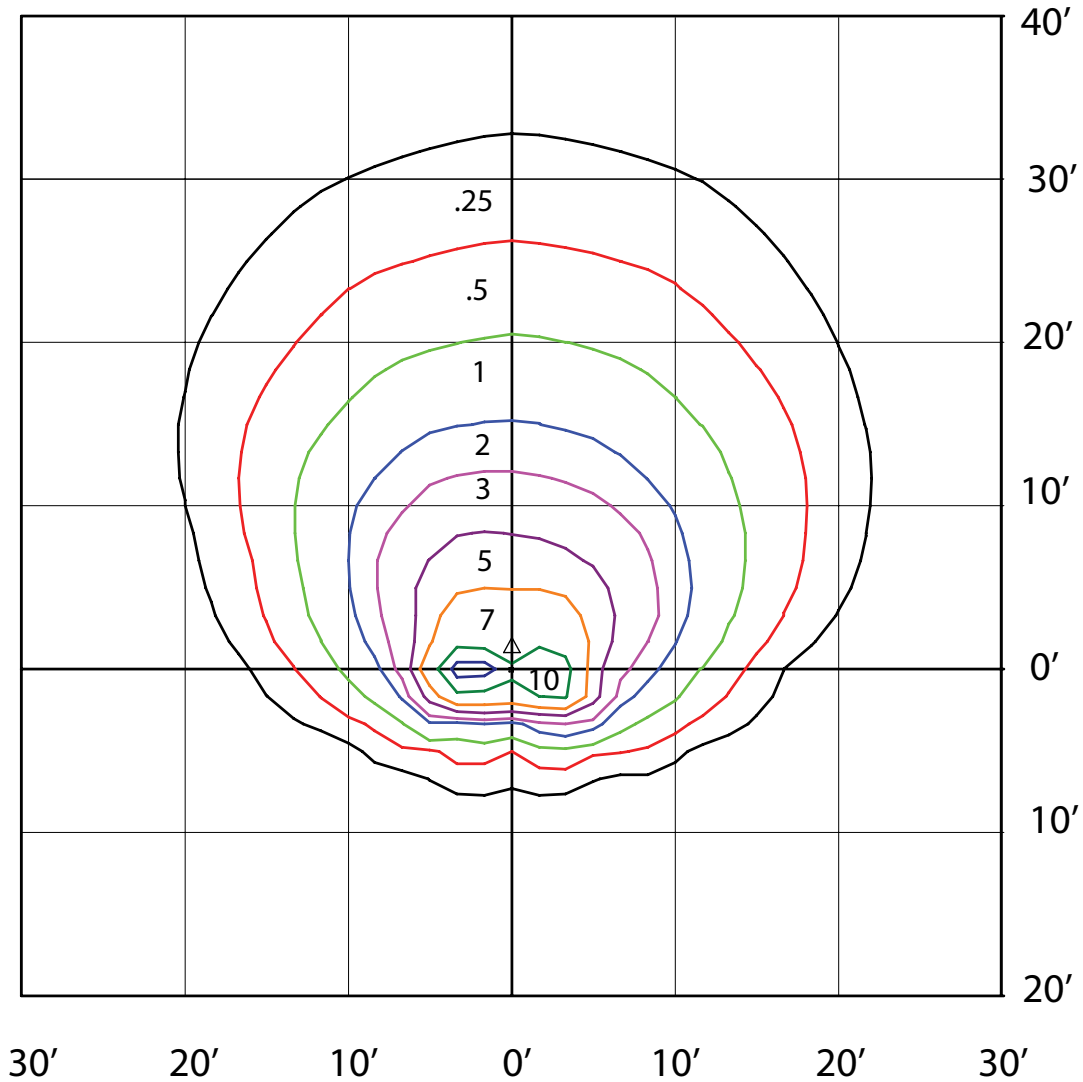
ACCESSORIES (WIRE CAGE ORDER SEPARATELY):



WL-LED26-B-5K-DIM-PC-CL
MOUNTED AT 10FEET

Lumens 3179

Maximum Calculated Value 12.96 Fc



ORDERING GUIDE:

WL	LED26	B	5K	BRZ	DIM	PC	CL
Fixture	Wattage	Voltage	Colour Temp.	Finish	Dimming	Photocell	Lens
	LED26	B - 120-277V	5K - 5000K	BRZ - Bronze	DIM - 0-10V Dimming	PC - Photocell	CL - Clear Lens

Note: Photocell can be deactivated by disconnecting the wires to the photocell.

(Remove the threaded button photocell and disconnect wires, ensure to fasten the photocell for proper sealing).

ORDERING GUIDE

Check the items that you wish to order:

- 093454 WL-LED26-B-5K-BRZ-DIM-PC-CL
- 098016 - WIRE CAGE ZINC PLATED STEEL F/WL