

Project: _____ Type: _____

Drawn by: _____ Catalogue #: _____ Date: _____

DUOLED HARDWIRED DRIVER AND DIMMER SWITCH

ORDERING INFORMATION

Order code: 68299
Model number: DRIVER-DIMMER/S2/12V/60W
UPC: 069549015746
Case quantity: 25

PHYSICAL DATA

Dimensions: 4 1/8" x 2 1/8" x 1 23/32" (105 mm x 54 mm x 44 mm)
Type: LED Hardwire Driver and Dimmer
Faceplate finish: Glossy Dark Brown, Glossy Light Almond and Glossy White
Input/Output Wire gauge (AWG): 18
Input/Output Wire length (in): 7
Mounting: Recessed

PERFORMANCE DATA

Output power (W): 60
Output voltage (VDC): 12
Input voltage (VAC): 120
Power factor: >0.9
Frequency (Hz): 60
Input current (A): <1
Output current (mA): 2 500
Environment: Dry
Operating temp. range: 0° C to 40° C (32° F to 104° F)

COMPATIBLE PRODUCTS

Order code	Compatible with
68299	12 V LED Tapes

COMPATIBLE ACCESSORIES

Order code	Model number
67073	DRIVER-DIMMER/TRIM/WH/STD

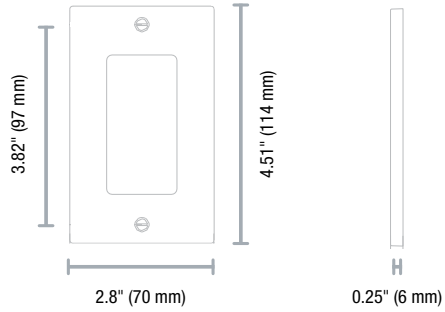
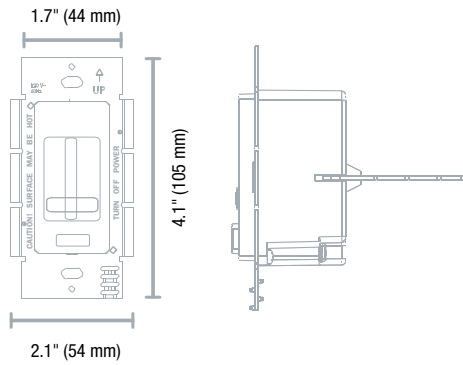


ICES
005



This lighting equipment complies with Canadian standard ICES-005 for use in residential applications. Data is based upon tests performed in a controlled environment. Actual performance can vary depending on operating conditions. Specifications are subject to change without notice.

DIMENSIONS



Qty	Description	Price

I accept the specifications of the luminaire configuration mentioned above.

Name: _____
 Company: _____
 Signature: _____

Date: _____

Data is based upon tests performed in a controlled environment. Actual performance can vary depending on operating conditions.
 All products are subject to change or may be discontinued any time without notice.