

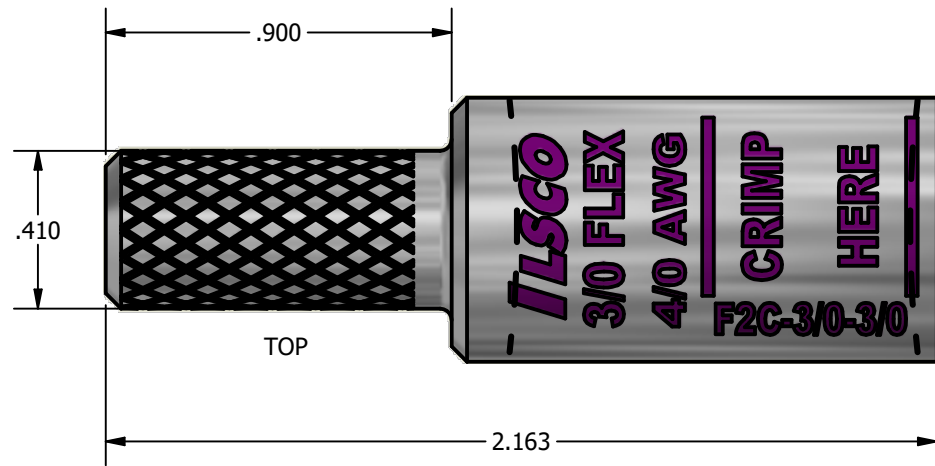
SCREW: NONE	MATERIAL: COPPER	REV: B	ILSCO connections matter 800-776-9775 www.ilsco.com	
CAT. NO.: F2C-3/0-3/0	PLATING: EL-TIN	DRAWN BY: LR	SCALE: 2:1	DWG. NO. J0663
INFORMATION SHEET: FORM 263	MARKING: SEE DRAWING	DATE: 1/10/2020	SIZE: A	
				SHEET: 1 OF 1



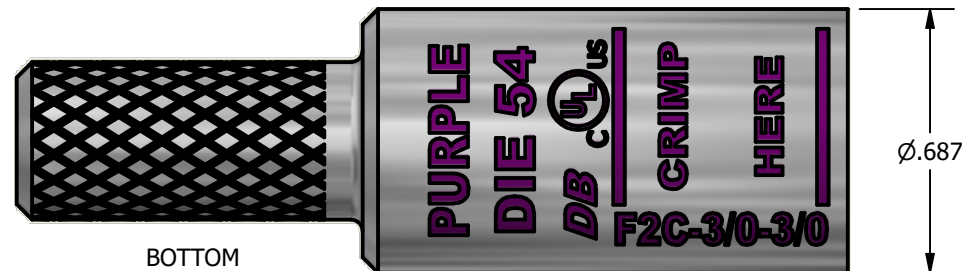
R3178
COVER



J0663
PIN CONNECTOR



TOP



BOTTOM