

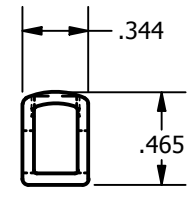
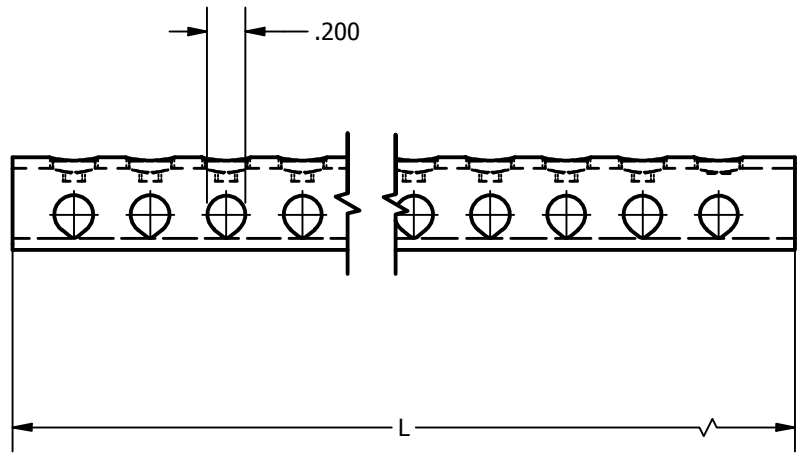
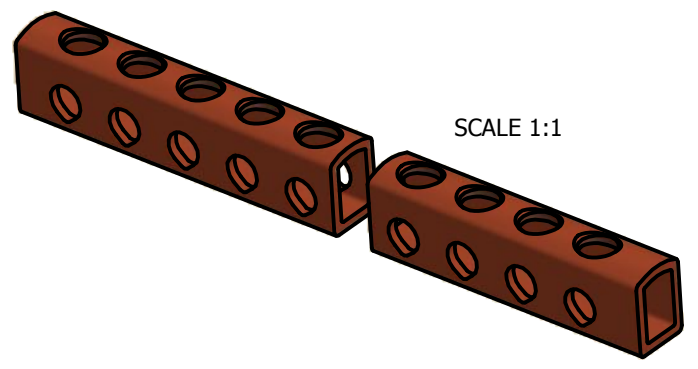
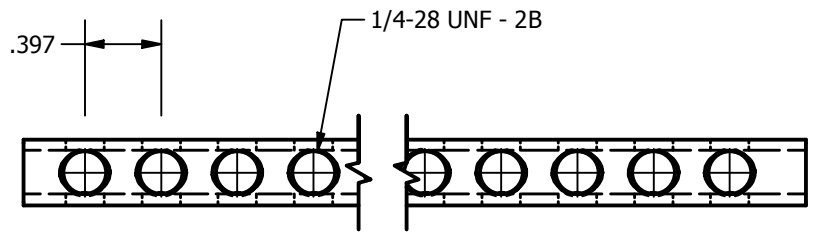
SCREW: NONE
 CAT. NO.: SEE CHART
 INFORMATION SHEET: FORM 12

MATERIAL: COPPER, L021925, CU 110
 PLATING: BRIGHT DIP
 MARKING: ONE SIDE - $\text{\textcircled{I}}$, CU D167
 OTHER SIDE - 6-14, $\text{\textcircled{R}}$

REV: AA
 DRAWN BY: CLH
 DATE: 8/24/2007

ILSCO
connections matter
 800-776-9775 www.ilsco.com

DWG. NO. **N0174**
 SHEET: 1 OF 1



END USE	LENGTH
N-174	5' 9"
N0174C368A	12' 6"
N-87	2.875"