
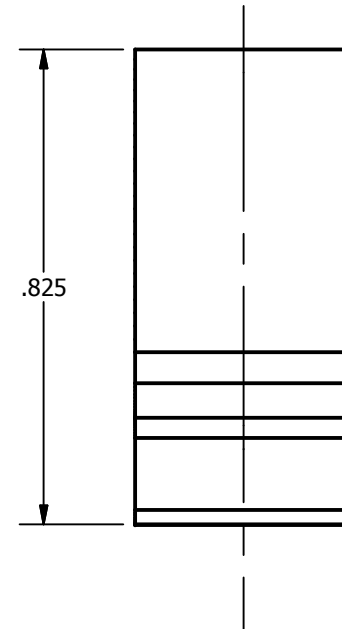
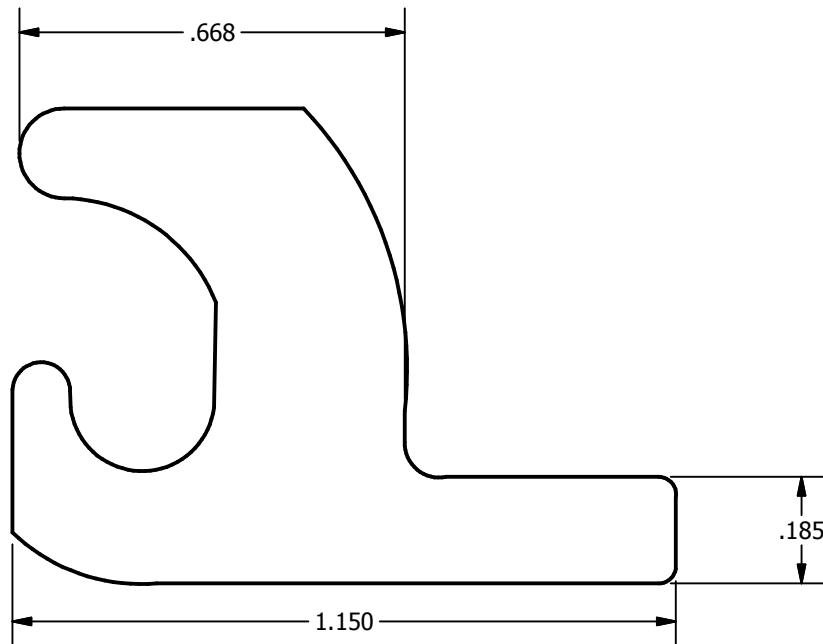
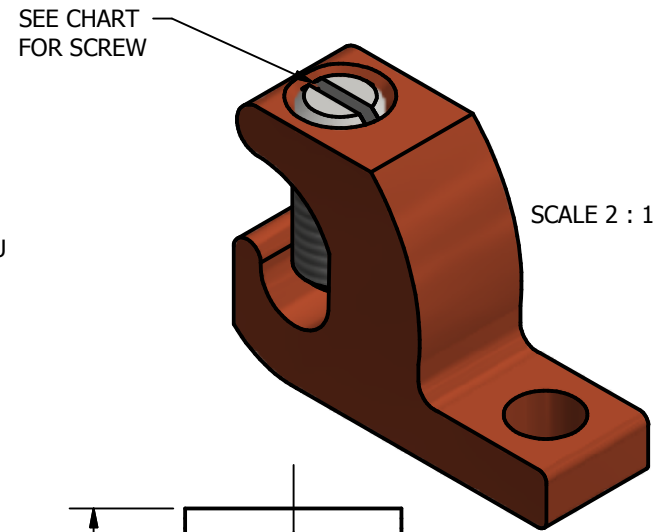
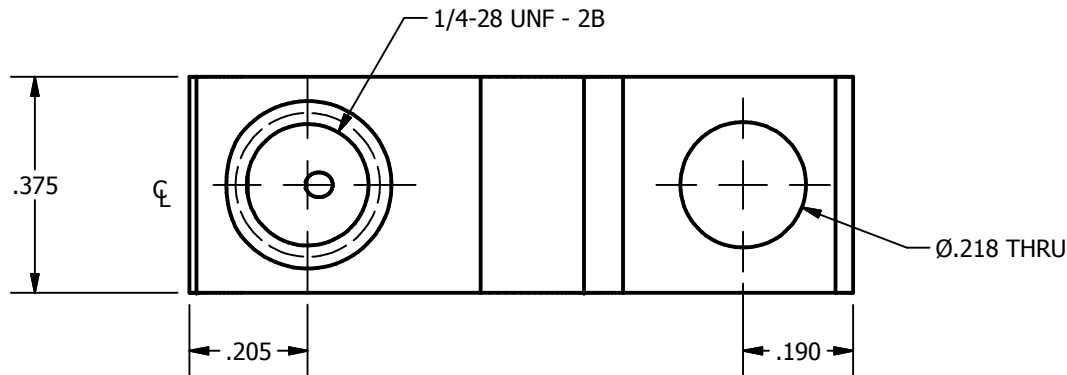


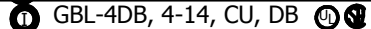

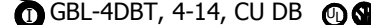



|                              |                    |                 |                                                                                    |                            |
|------------------------------|--------------------|-----------------|------------------------------------------------------------------------------------|----------------------------|
| SCREW: SEE CHART             | MATERIAL: COPPER   | REV: AC         |  |                            |
| CAT. NO.: SEE CHART          | PLATING: SEE CHART | DRAWN BY: CLH   | SCALE: 3:1                                                                         | 800-776-9775 www.ilsco.com |
| INFORMATION SHEET: SEE CHART | MARKING: SEE CHART | DATE: 7/27/2007 | SIZE: A                                                                            | DWG. NO. <b>G0977</b>      |
|                              |                    |                 |                                                                                    | SHEET: 1 OF 1              |



| CAT #     | PLATING    | SCREW     | FORM              | SCREW ASSY     | MARKING                                                                                                                                                                                            |
|-----------|------------|-----------|-------------------|----------------|----------------------------------------------------------------------------------------------------------------------------------------------------------------------------------------------------|
| GBL-4DBT  | EL-TIN     | E1276C00H | FORM12, FORM 195  | FLUSH TO TOP   |  GBL-4DBT, 4-14, CU, DB  |
| GBL-4DB   | BRIGHT DIP | E1276C00H | FORM 12           | FLUSH TO TOP   |  GBL-4DB, 4-14, CU, DB   |
| GBL-4DBTH | EL-TIN     | E1469C00H | FORM 12, FORM 195 | SNUG TO BOTTOM |  GBL-4DBT, 4-14, CU DB   |