

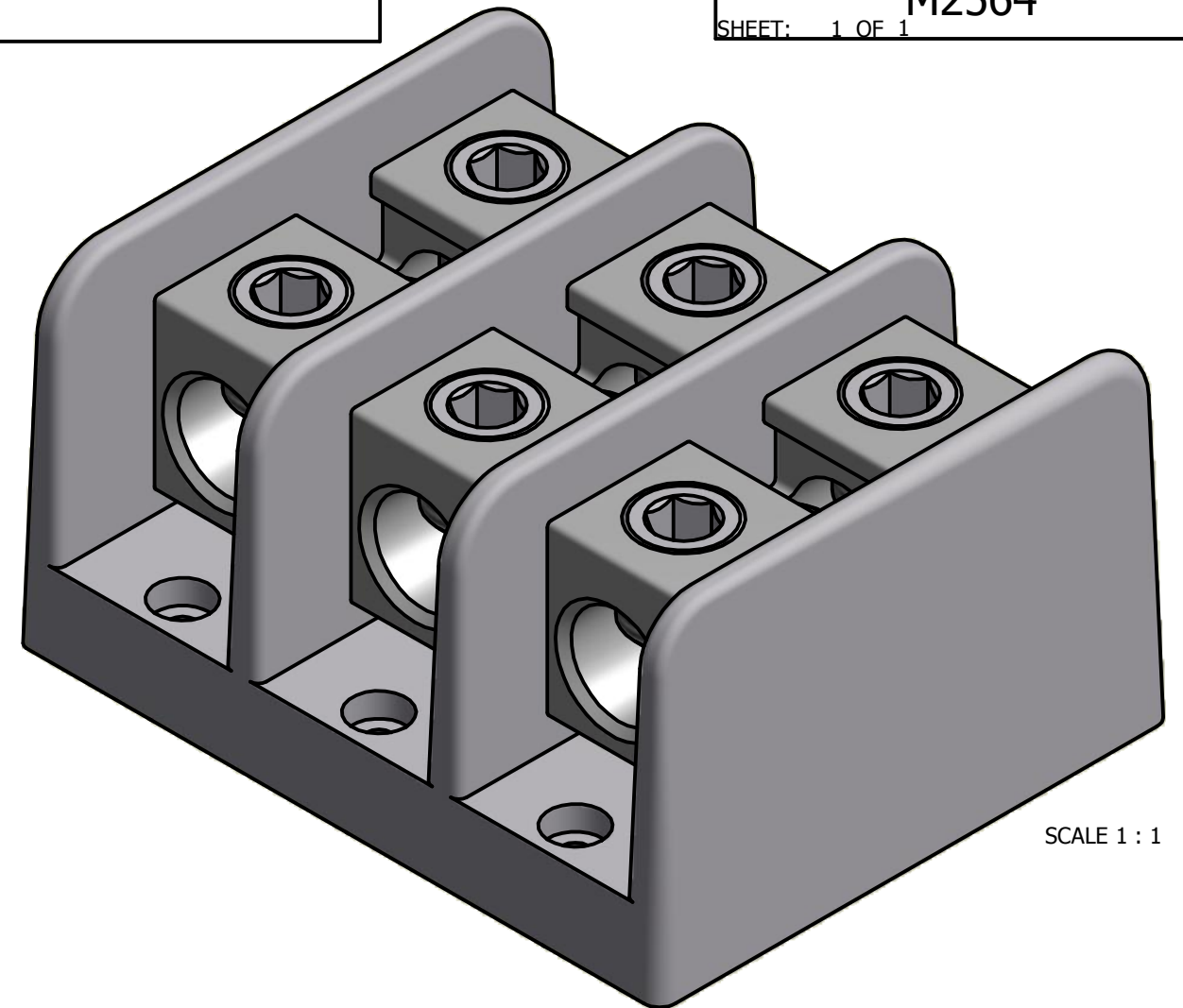
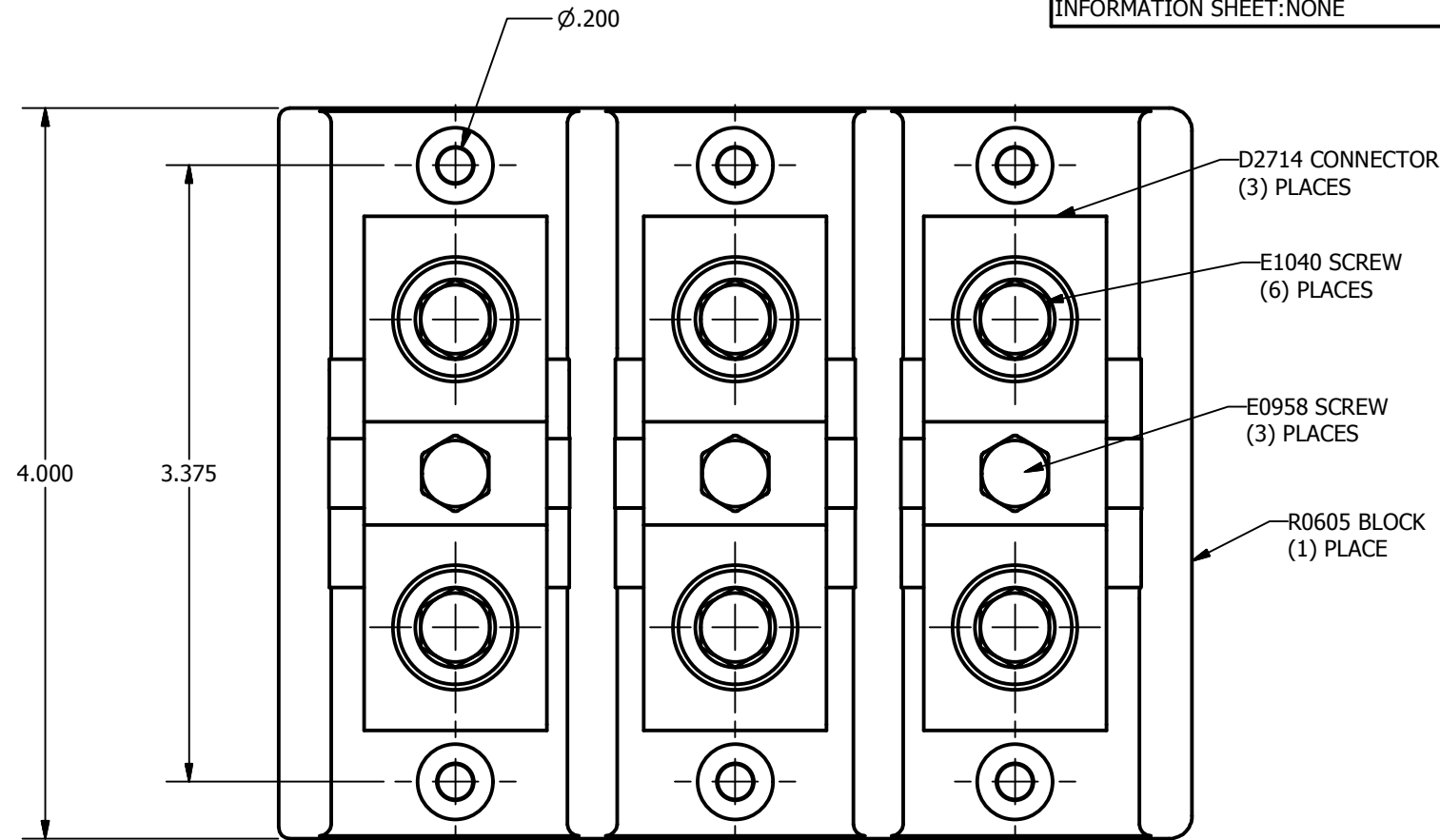
SCREW: E1040, E0958
 CAT. NO.: PDB-11-350-3
 INFORMATION SHEET: NONE

MATERIAL: NONE
 PLATING: NONE
 MARKING: NONE

REV: H
 DRAWN BY: CLH
 DATE: 12/20/2007
 SCALE:
 SIZE: B

ILSCO
 connections
 matter
 800-776-9775 www.ilSCO.com

DWG NO: **M2564**
 SHEET: 1 OF 1



SCALE 1 : 1

