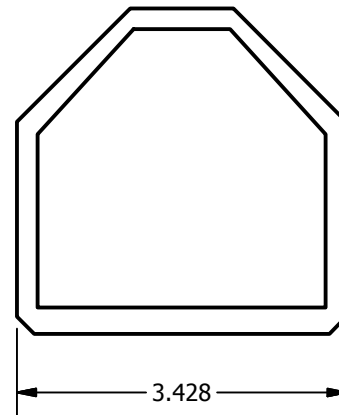
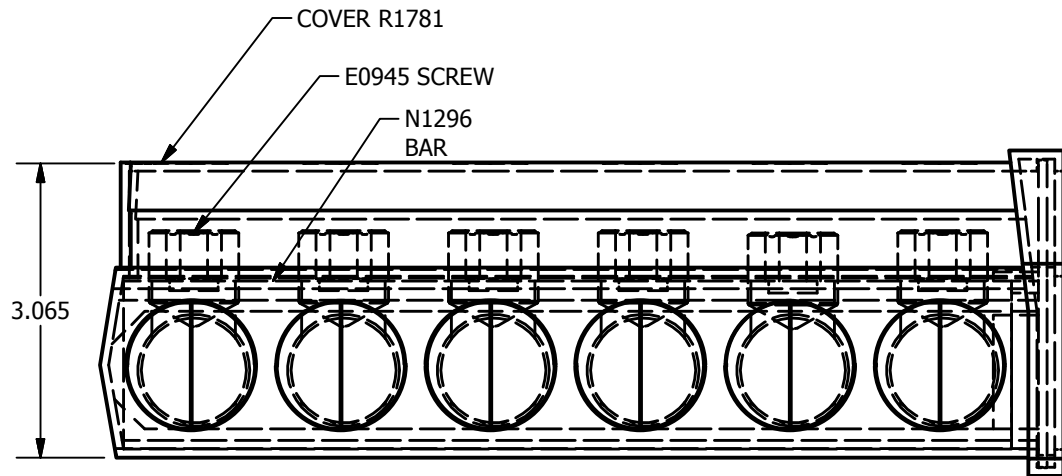
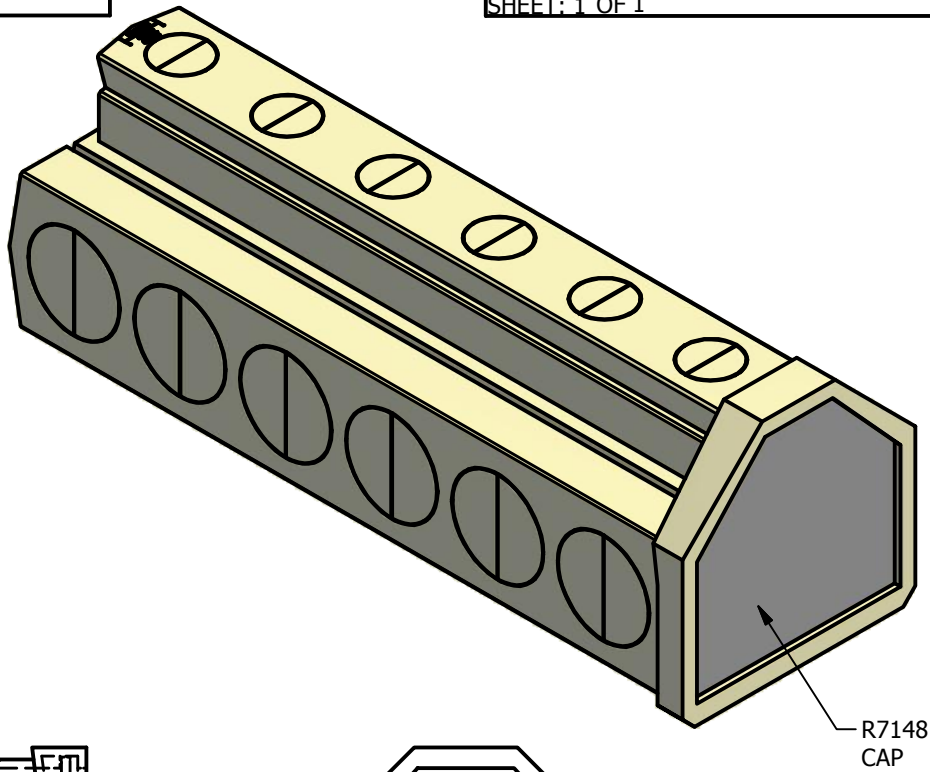


SCREW: E0945	MATERIAL: NONE	REV: C	ILSCO connections matter	
CAT. NO.: CHARTED	PLATING: NONE	DRAWN BY: NN	SCALE: 1/2	800-776-9775 www.ilsco.com
INFORMATION SHEET: FORM 1	MARKING: NONE	DATE: 6/12/2008	SIZE: A	DWG. NO. M2874
				SHEET: 1 OF 1



CAT. NO.	OUTLETS	L
PCT-2-800	2	3.401
PCT-4-800	4	6.521
PCT-6-800	6	9.641
PCT-8-4/0	8	12.761