

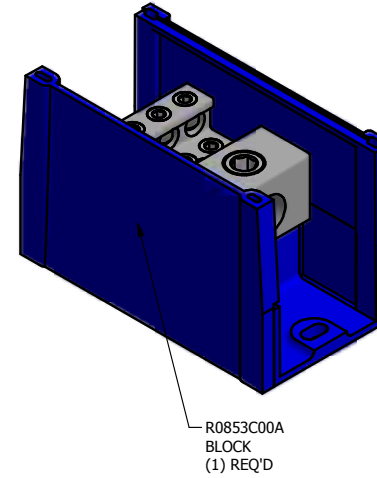
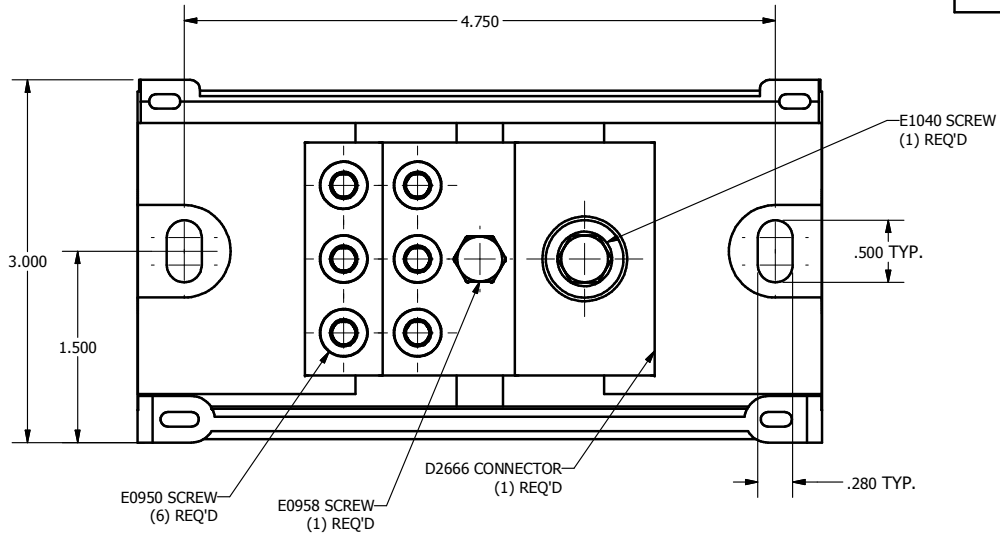
SCREW: E0950, E0958, E1040
 CAT. NO.: LDB-16-350
 INFORMATION SHEET: FORM 48

MATERIAL: NONE
 PLATING: NONE
 MARKING: NONE

REV: J
 DRAWN BY: CLH
 DATE: 12/14/2007
 SCALE:
 SIZE: B

ILSCO
 800-776-9775 www.ilSCO.com

DWG NO: **M4028**
 SHEET: 1 OF 1



SCALE 1 / 2

