

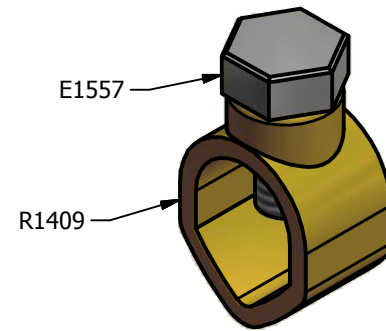
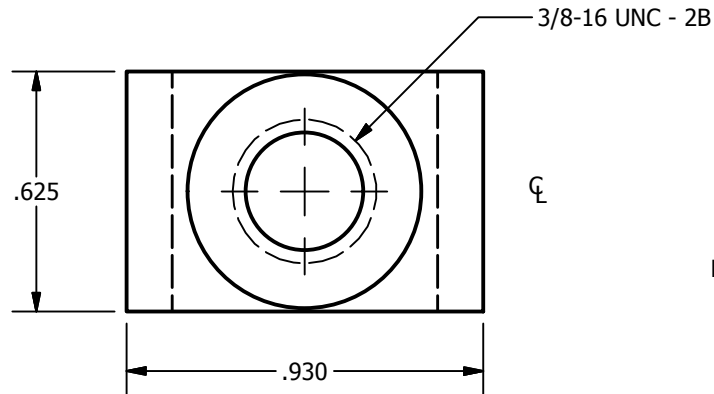


SCREW: E010914-90	MATERIAL: BRASS	REV: H	 800-776-9775 www.ilsco.com
CAT. NO.: CGRC-58	PLATING: NONE	DRAWN BY: DR SCALE: 2 : 1	
INFORMATION SHEET: NONE	MARKING: 5/8, ILSO, CGRC58, 2/10, DIRECT BURIAL	DATE: 4/7/2014 SIZE: A	
		DWG. NO. R1409 SHEET: 1 OF 1	



SCALE 1 : 1

