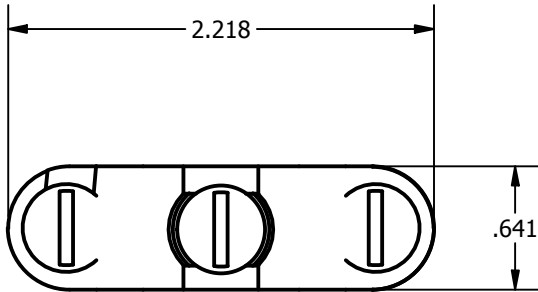
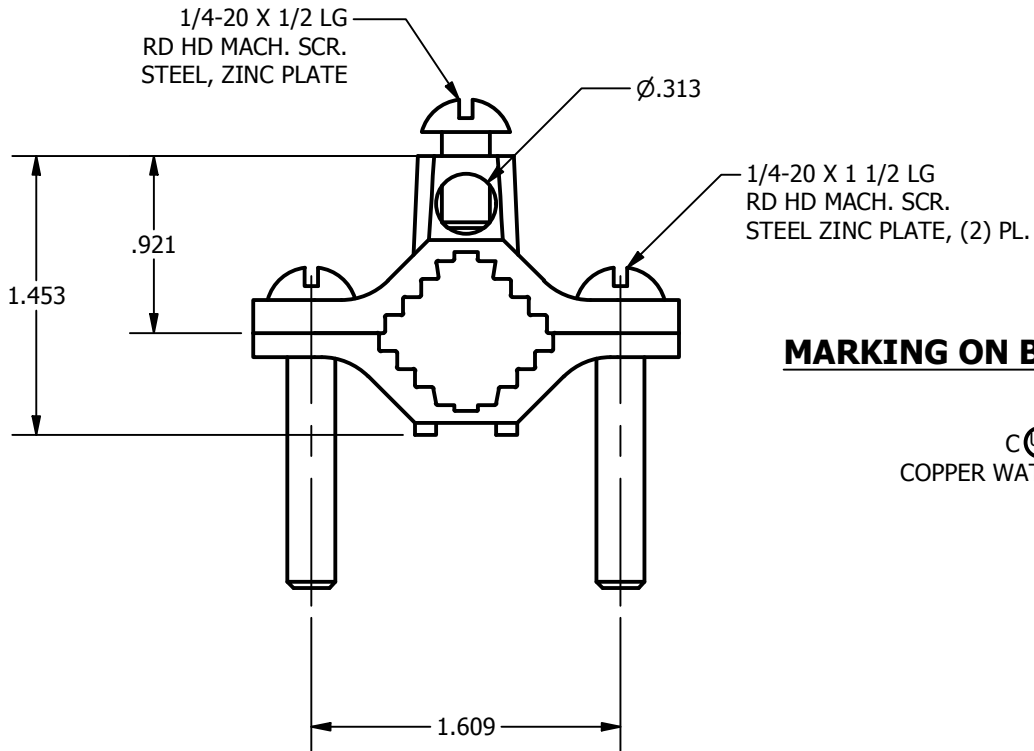
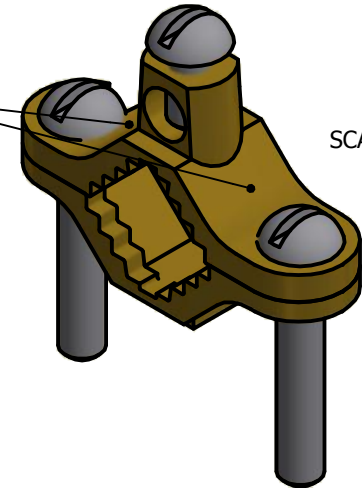


SCREW: SEE BELOW	MATERIAL: COPPER	REV: H	ILSCO connections matter	
CAT. NO.: BGC-1	PLATING: NONE	DRAWN BY: JG	SCALE: 1=1	800-776-9775 www.ilsco.com
INFORMATION SHEET: FORM 1	MARKING: SEE BELOW	DATE: 10/25/2007	SIZE: A	DWG. NO. R0724
				SHEET: 1 OF 1



MARKING ON TOP

1/2-1 W



MARKING ON BOTTOM

CULUS, 10-2,
COPPER WATER TUBING

