



This instruction sheet is applicable to the following Catalog Numbers:

| | |
|--------|--------|
| 1-Port | HSB1xx |
| 2-Port | HSB2xx |

xx designates color

Package Contents:

| Qty 1-Port | Qty 2-Port | Description |
|------------|------------|---|
| 1 | 1 | Surface Mount Box |
| 1 | 2 | Cable Ties, 4" |
| 0 | 1 | Paper Face Plate Label |
| 0 | 1 | Clear Plastic Label Cover |
| 2 | 2 | Surface Mounting Screw (6-20 x 1-1/4" self tapping) |
| 0 | 1 | Security Screws (6-32 x 3/4" Flat head) |
| 1 | 1 | Double Sided Tape, 2" |

Installation Instructions:

1. Remove cover from box by inserting a screwdriver into the cover release slots. See Figure 1.
2. Surface boxes are compatible with MT6 Raceway. If using Raceway, cut the edges of the appropriate knockout with a utility knife and remove. Align Raceway with knockout opening. See Figure 2.

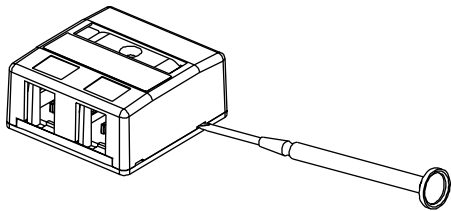


Figure 1

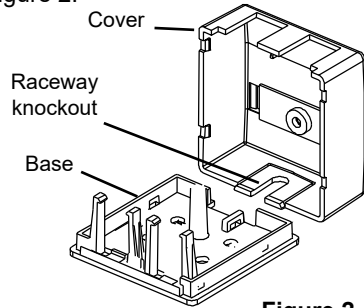


Figure 2

3. Mount box to solid surface with provided self tapping screws or double sided tape. See Figure 3. **Important: Maintain flatness when mounting base to mounting surface.**

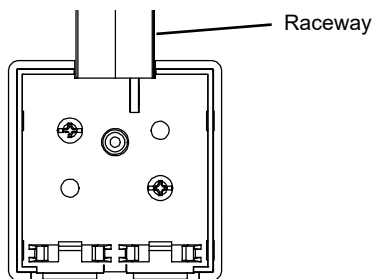


Figure 3

4. Route cables through openings in the rear of surface mount box. Using supplied cable ties, secure cables to the strain relief anchor points. See Figure 4.
5. Terminate individual jacks and modules utilizing the supplied instructions sheets. Insert terminated jacks or Snap-Fit modules into base unit by securing jack between the posts under the latch.

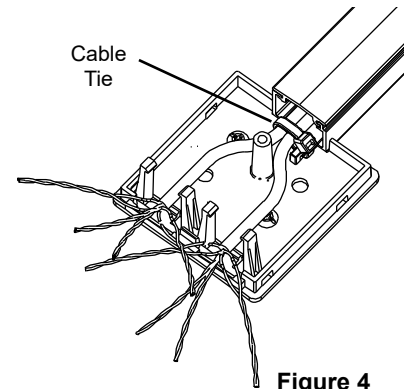


Figure 4

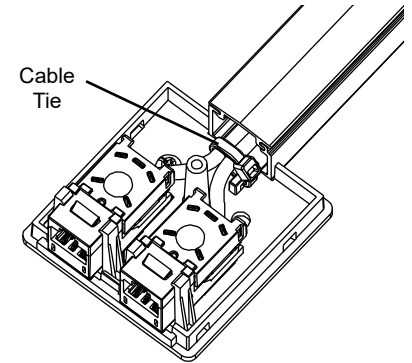


Figure 5

6. Snap cover onto base unit. Secure cover with supplied security screw. See Figure 6.
7. For 2-Port boxes only, insert face plate paper and clear plastic cover into box identification label slots. Optionally, laser printable adhesive port labels can be used to identify each port. See Figure 7.

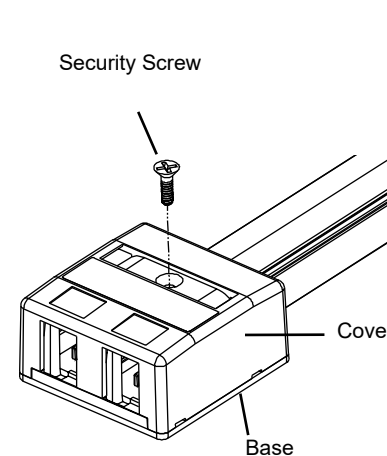


Figure 6

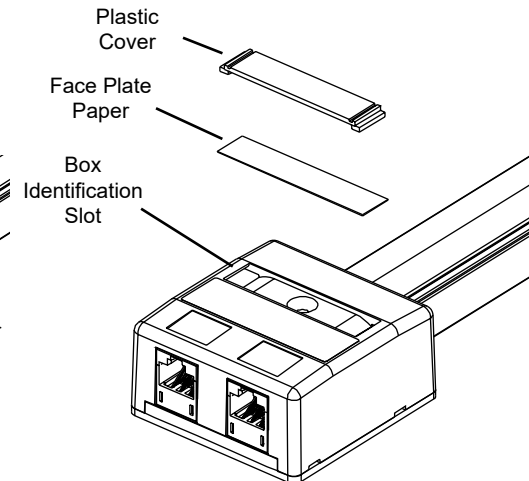


Figure 7