

5A split core current transformers

Low current ranges

- 100 to 400A

Description

Split core AC current sensors have different hole sizes and current ratings to suit any application. Split core models are perfect for retrofits. Output is fixed at the industry standard of 0 to 5A.

Applications

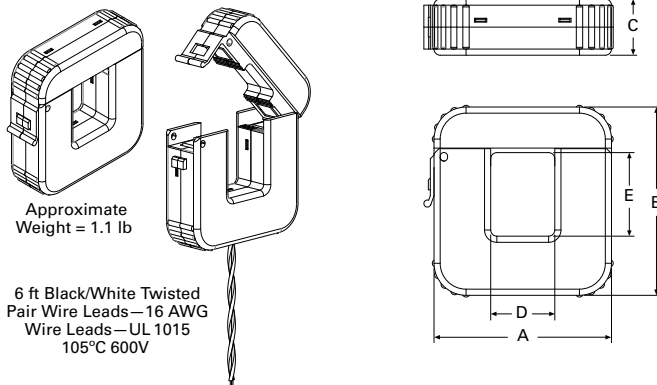
- Data logging
- Recording
- Power monitoring
- Energy management
- Alternative energy monitoring
- Cost allocation

Features

- High accuracy at 10–130% of rated current
- 0 to 5A standard output: compatible with existing systems
- Swing open for ease of installation (**CT-SP-4**)
- Double secured latches per side and keying holes (**CT-SP-5** and **CT-SP-6**)
- Rigid housing case with UL® 94V-0 durable plastic
- ETL recognized

Specifications

| Item | Specification |
|-----------------------------|---|
| Inputs | |
| Frequency range | 40–400 Hz |
| Accuracy Range | |
| | 10–130% of rated current |
| Outputs | |
| Output at rated current | 5A |
| Environmental | |
| Operating temperature range | –10°C to +60°C (+14°F to +140°F) |
| Storage temperature range | –20°C to +85°C (+4°F to +185°F) |
| Lead Length | |
| | 6 ft black/white twisted pair wire leads—16 AWG |
| Certifications | |
| | ETL, RoHS |
| Specifications | |
| | IEEE® C57.13, IEC 60044-1, C12.20 Standards |



Split Core CT-SP-4 Approximate Dimensions in Inches (mm)

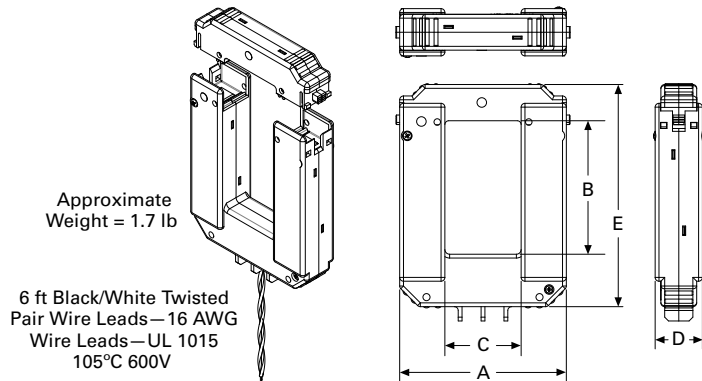
| Model Number | Description | A | B | C | D | E | Burden VA ±0.5% Class |
|-----------------------|---|-------------|-------------|-------------|-------------|-------------|-----------------------|
| CT-SP-4-100-5A | Split core, CT 100/5A, 1.0% accuracy, 1.30 in x 1.70 in | 3.60 (91.4) | 3.82 (97.0) | 1.14 (29.0) | 1.30 (33.0) | 1.70 (43.2) | 1.5 (1.0 Class) |
| CT-SP-4-200-5A | Split core, CT 200/5A, 0.5% accuracy, 1.30 in x 1.70 in | 3.60 (91.4) | 3.82 (97.0) | 1.14 (29.0) | 1.30 (33.0) | 1.70 (43.2) | 2.1 |
| CT-SP-4-300-5A | Split core, CT 300/5A, 0.5% accuracy, 1.30 in x 1.70 in | 3.60 (91.4) | 3.82 (97.0) | 1.14 (29.0) | 1.30 (33.0) | 1.70 (43.2) | 2.4 |
| CT-SP-4-400-5A | Split core, CT 400/5A, 0.5% accuracy, 1.30 in x 1.70 in | 3.60 (91.4) | 3.82 (97.0) | 1.14 (29.0) | 1.30 (33.0) | 1.70 (43.2) | 2.8 |



Powering Business Worldwide

High current ranges

- 400 to 2000A

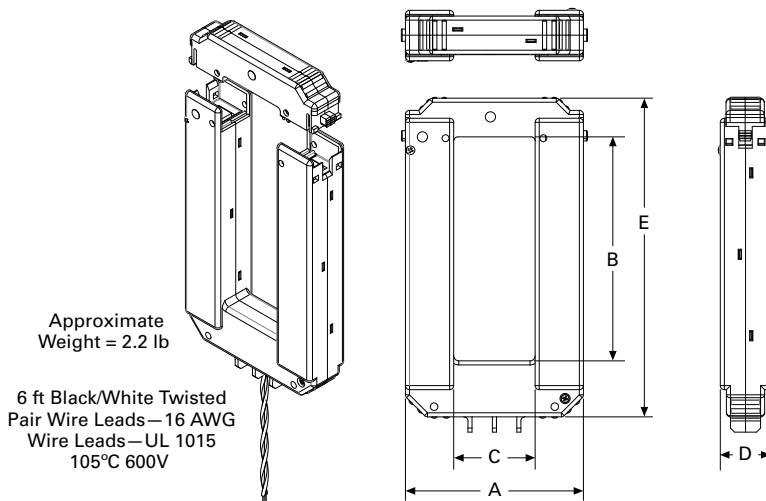


Approximate Weight = 1.7 lb

6 ft Black/White Twisted Pair Wire Leads—16 AWG
Wire Leads—UL 1015
105°C 600V

Split Core CT-SP-5 Approximate Dimensions in Inches (mm)

| Model Number | Description | A | B | C | D | E | Burden VA ±0.5% Class |
|-----------------|--|--------------|-------------|-------------|-------------|--------------|-----------------------|
| CT-SP-5-200-5A | Split core, CT 200/5A, 1.0% accuracy, 2.00 in x 3.50 in | 4.37 (111.0) | 3.50 (88.9) | 2.00 (50.8) | 1.24 (31.5) | 5.83 (148.1) | 2.25 (1.0 Class) |
| CT-SP-5-400-5A | Split core, CT 400/5A, 0.6% accuracy, 2.00 in x 3.50 in | 4.37 (111.0) | 3.50 (88.9) | 2.00 (50.8) | 1.24 (31.5) | 5.83 (148.1) | 2.25 (0.6 Class) |
| CT-SP-5-600-5A | Split core, CT 600/5A, 0.5% accuracy, 2.00 in x 3.50 in | 4.37 (111.0) | 3.50 (88.9) | 2.00 (50.8) | 1.24 (31.5) | 5.83 (148.1) | 2.75 |
| CT-SP-5-800-5A | Split core, CT 800/5A, 0.5% accuracy, 2.00 in x 3.50 in | 4.37 (111.0) | 3.50 (88.9) | 2.00 (50.8) | 1.24 (31.5) | 5.83 (148.1) | 3.75 |
| CT-SP-5-1000-5A | Split core, CT 1000/5A, 0.5% accuracy, 2.00 in x 3.50 in | 4.37 (111.0) | 3.50 (88.9) | 2.00 (50.8) | 1.24 (31.5) | 5.83 (148.1) | 4.50 |



Approximate Weight = 2.2 lb

6 ft Black/White Twisted Pair Wire Leads—16 AWG
Wire Leads—UL 1015
105°C 600V

Split Core CT-SP-6 Approximate Dimensions in Inches (mm)

| Model Number | Description | A | B | C | D | E | Burden VA ±0.5% Class |
|-----------------|--|--------------|--------------|-------------|-------------|--------------|-----------------------|
| CT-SP-6-400-5A | Split core, CT 400/5A, 1.0% accuracy, 2.00 in x 5.50 in | 4.37 (111.0) | 5.50 (139.7) | 2.00 (50.8) | 1.24 (31.5) | 7.83 (198.9) | 2.75 (1.0 Class) |
| CT-SP-6-600-5A | Split core, CT 600/5A, 0.7% accuracy, 2.00 in x 5.50 in | 4.37 (111.0) | 5.50 (139.7) | 2.00 (50.8) | 1.24 (31.5) | 7.83 (198.9) | 2.75 (0.7 Class) |
| CT-SP-6-800-5A | Split core, CT 800/5A, 0.6% accuracy, 2.00 in x 5.50 in | 4.37 (111.0) | 5.50 (139.7) | 2.00 (50.8) | 1.24 (31.5) | 7.83 (198.9) | 4.00 (0.6 Class) |
| CT-SP-6-1000-5A | Split core, CT 1000/5A, 0.5% accuracy, 2.00 in x 5.50 in | 4.37 (111.0) | 5.50 (139.7) | 2.00 (50.8) | 1.24 (31.5) | 7.83 (198.9) | 5.25 |
| CT-SP-6-1200-5A | Split core, CT 1200/5A, 0.5% accuracy, 2.00 in x 5.50 in | 4.37 (111.0) | 5.50 (139.7) | 2.00 (50.8) | 1.24 (31.5) | 7.83 (198.9) | 5.25 |
| CT-SP-6-1600-5A | Split core, CT 1600/5A, 0.5% accuracy, 2.00 in x 5.50 in | 4.37 (111.0) | 5.50 (139.7) | 2.00 (50.8) | 1.24 (31.5) | 7.83 (198.9) | 6.25 |
| CT-SP-6-2000-5A | Split core, CT 2000/5A, 0.5% accuracy, 2.00 in x 5.50 in | 4.37 (111.0) | 5.50 (139.7) | 2.00 (50.8) | 1.24 (31.5) | 7.83 (198.9) | 8.00 |

Eaton
1000 Eaton Boulevard
Cleveland, OH 44122
United States
Eaton.com

© 2014 Eaton
All Rights Reserved
Printed in USA
Publication No. TD049001EN / Z14845
March 2014