

Installation Instructions for Din Rail Adapter GC 1 Pole Circuit Breaker Style No. - 1225C79G51



WARNING

DO NOT ATTEMPT TO INSTALL OR PERFORM MAINTENANCE ON EQUIPMENT WHILE IT IS ENERGIZED. DEATH, SEVERE PERSONAL INJURY, OR SUBSTANTIAL PROPERTY DAMAGE CAN RESULT FROM CONTACT WITH ENERGIZED EQUIPMENT. ALWAYS VERIFY THAT NO VOLTAGE IS PRESENT BEFORE PROCEEDING WITH THE TASK, AND ALWAYS FOLLOW GENERALLY ACCEPTED SAFETY PROCEDURES.

EATON IS NOT LIABLE FOR THE MISS APPLICATION OR MISS INSTALLATION OF IT'S PRODUCTS.

Install Adapter to Din Rail

1. Orient Din Rail Adapter to Din Rail as shown in Figure 1.
2. Push the Adapter in the direction shown until the lower clip snaps onto the Din Rail.

Attachment of the Breaker to the Adapter

1. Position the Load side of the circuit breaker on the clip of the Adapter as shown in Figure 2.
2. Push the circuit breaker in the direction shown until the upper clip snaps onto the Line side of the circuit breaker.

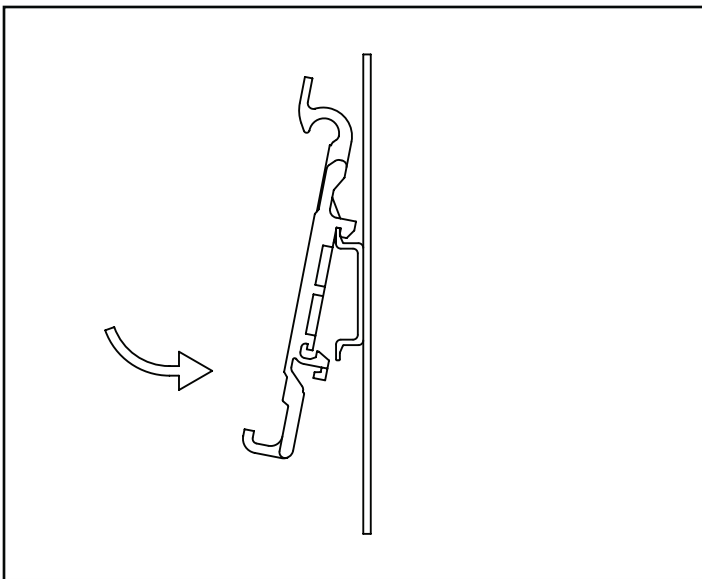


Figure 1

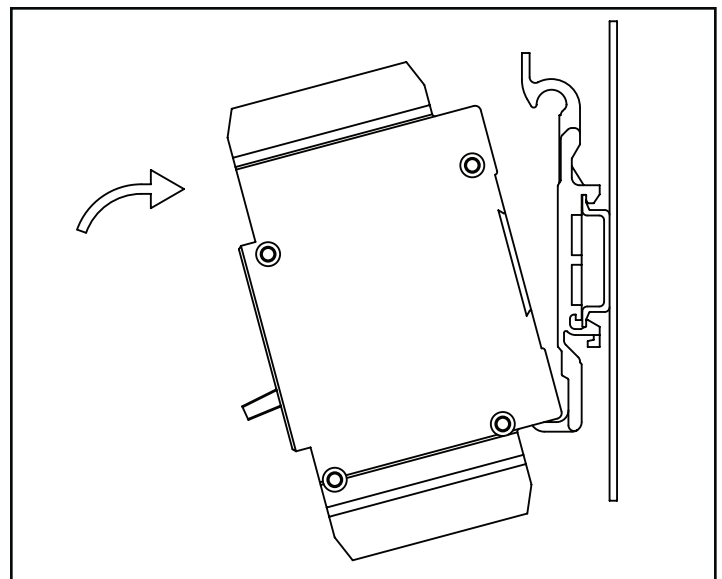


Figure 2

Eaton Corporation
Electrical Sector
1000 Cherrington Parkway
Moon Township, PA 15108
United States
877-ETN-CARE (877-386-2273)
Eaton.com

© 2009 Eaton Corporation
All Rights Reserved
Printed in USA
Publication No. IL01219082E
January 2010