



# MARCUS

Marcus Transformer LTD  
 Phone: 1-800-267-7376  
 Fax: 1-866-205-7526  
 Email: Info@marcustransformer.com

## TECHNICAL DATA MODEL:RES 5A2

[1-PHASE ISOLATING]

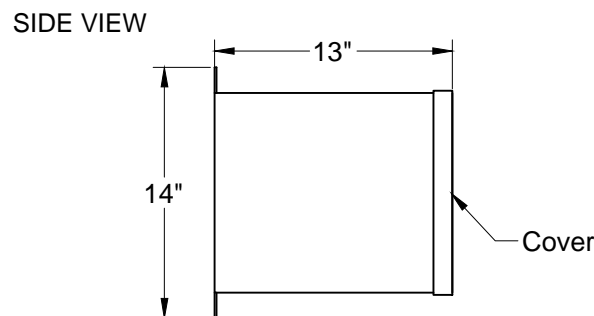
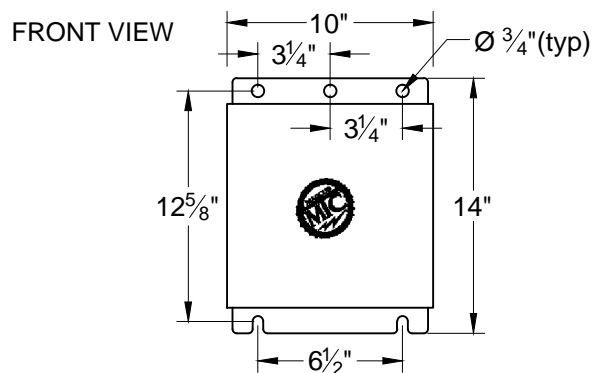
DESCRIPTION	
Type	DRY TYPE DISTRIBUTION (ANN)
KVA	5
Primary (Volts)	600
Secondary (Volts)	120 / 240
Phase	1
Enclosure	NEMA 4
Impedance (%z)	3.3
Insulation Class	220°C
Temperature Rise	115°C
Frequency	60Hz
Weight (LBS/KG)	140 / 64
Polarity	Additive
BIL.	10KV

PERFORMANCE	
No load loss	38W
Total loss	215W
Noise level	40dB

EFFICIENCY			

Primary connectors per phase : #14-2
Secondary connectors per phase: #14-2

## PHYSICAL DIMENSIONS



**MOUNTING: WALL**

### FEATURES:

- Resin epoxy encapsulated
- CSA Certified for hazardous areas class I, Div.2 groups A-D locations with A T3,T4 temperature classification
- Anti-vibration pads installed between the core/coil and the enclosure
- Ground lug provided
- Leads brought-up and solidly positioned into separate terminal boards
- CSA enclosure: painted ASA 61gray
- Copper ground strap between core/coil and enclosure
- CSA certified / cUL listed
- Copper windings

Customer / PO	
Project	
Engineer	
Contractor	
Revision Date	

COMMENTS



# MARCUS

Marcus Transformer LTD  
 Phone: 1-800-267-7376  
 Fax: 1-866-205-7526  
 Email: Info@marcustransformer.com

## TECHNICAL DATA MODEL:RES 5B2 [1-PHASE ISOLATING]

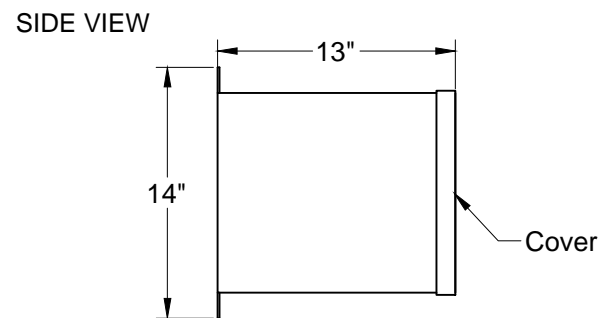
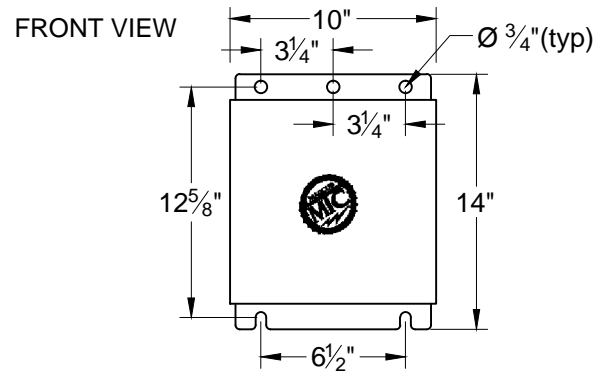
DESCRIPTION	
Type	DRY TYPE DISTRIBUTION (ANN)
KVA	5
Primary (Volts)	480
Secondary (Volts)	120 / 240
Phase	1
Enclosure	NEMA 4
Impedance (%z)	3.3
Insulation Class	220°C
Temperature Rise	115°C
Frequency	60Hz
Weight (LBS/KG)	140 / 64
Polarity	Additive
BIL.	10KV

PERFORMANCE	
No load loss	38W
Total loss	215W
Noise level	40dB

EFFICIENCY			

Primary connectors per phase : #14-2
Secondary connectors per phase: #14-2

### PHYSICAL DIMENSIONS



**MOUNTING: WALL**

### FEATURES:

- Resin epoxy encapsulated
- CSA Certified for hazardous areas class I, Div.2 groups A-D locations with A T3,T4 temperature classification
- Anti-vibration pads installed between the core/coil and the enclosure
- Ground lug provided
- Leads brought-up and solidly positioned into separate terminal boards
- CSA enclosure: painted ASA 61gray
- Copper ground strap between core/coil and enclosure
- CSA certified / cUL listed
- Copper windings

Customer / PO	
Project	
Engineer	
Contractor	
Revision Date	

COMMENTS