

# P-4250

## 4 1/4" New Construction/Retrofit Mounting Plate Recessed Lighting

Job Information		
Project Name		Type
Location		
Quantity		Date
Contact/Phone		
Notes		

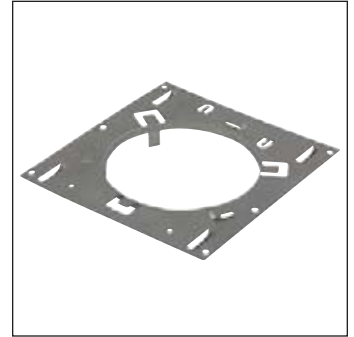
### Features

#### Features

Constructed of galvanized steel, this new construction mounting plate is used to mount 4 1/4" aluminum remodel housings. A stamped line allows the plate to be cut, bent and inserted into existing drywall, when adding pot lights into a retrofit application. Plate includes foldable tabs which can secure the plate to the pot lights and/or mounting surface.

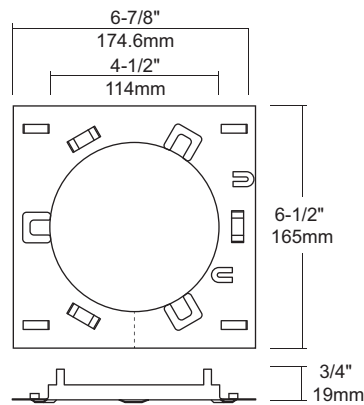
#### Mounting

The plate includes mounting holes to align plate to any type of installation. The plate also includes holding brackets for use with hanger bars (RCH507 – sold separately). Alignment notches on plate are to help aligning multiple plates.



### Description

The P-4250 is a new construction pre-mounting plate for use with 4 1/4" housings. Suitable for drywall, soffit, new construction and remodel (retrofit) installations.



**Notes:** Accessories should be ordered separately. For additional options please consult your Liteline Lighting representative. Due to our continued efforts to improve our products, product specifications are subject to change without notice.

### Ordering Guide



#### P-4250

4 1/4" New construction mounting plate for 4 1/4" housings.

### Accessories



#### RCH507

Hanger bar kit for use with housing and P-4250 mounting plate for new construction applications.

### Compatible Housings



#### HV4-HR02AC-RM

4 1/4" Line voltage aluminum remodel housing in white, 120V.



#### HV4-HR02AC-RM-TP

4 1/4" Line voltage aluminum remodel housing in taupe, 120V.



#### HV4-HR02AC-RM-BK

4 1/4" Line voltage aluminum remodel housing in black, 120V.

