

October 1997  
 Mailed to: E, D, C/29-600A

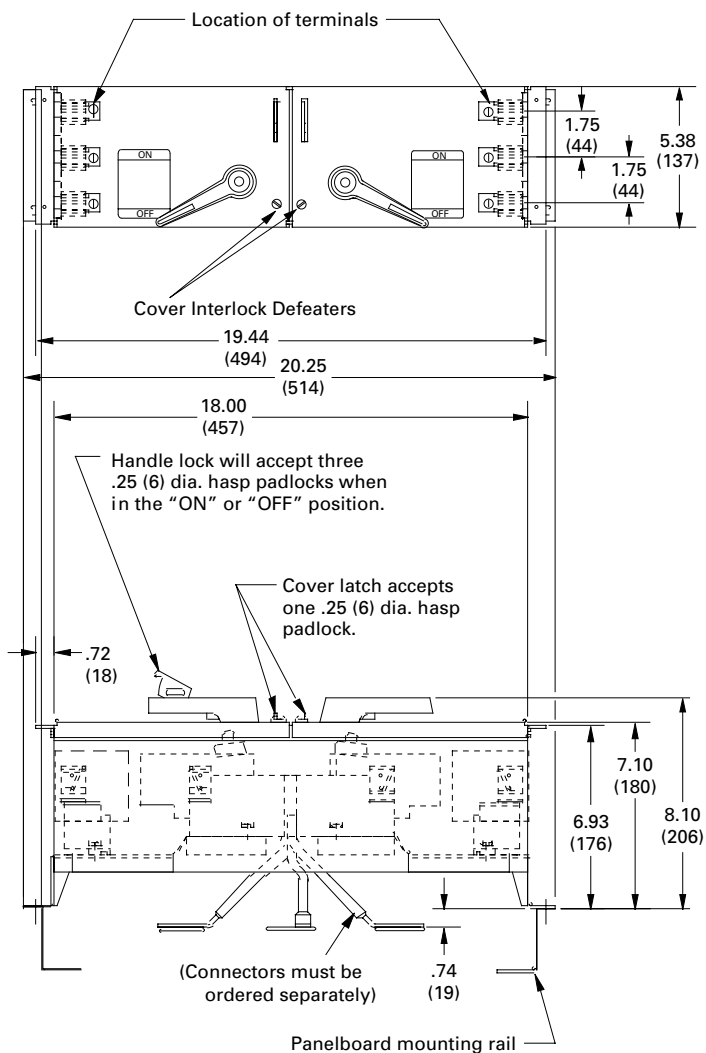
# Type FDPW Fusible Panelboard Switches

Description	Page
30/60/100A 4X Twin Horizontal Fused Switch .....	1
30/60/100A 5X Horizontal Fused Switch .....	2
200A Single Horizontal Fused Switch .....	3
200A Twin Horizontal Fused Switch .....	4
400A Horizontal Fused Switch .....	5
400A Vertical Fused Switch – Line at Bottom .....	6
400A Vertical Fused Switch – Line at Top .....	7
600A Horizontal Fused Switch .....	8
600A Vertical Fused Switch – Line at Bottom .....	9
600A Vertical Fused Switch – Line at Top .....	10
800A Horizontal Fused Switch .....	11
800A Vertical Fused Switch – Line at Bottom .....	12
800A Vertical Fused Switch – Line at Top .....	13
1200A Horizontal Fused Switch .....	14
1200A Vertical Fused Switch – Line at Bottom .....	15
1200A Vertical Fused Switch – Line at Top .....	16

October 1997  
 Mailed to: E, D, C/29-600A

# Type FDPW Fusible Panelboard Switches

## 30/60/100A 4X Twin Horizontal Fused Switch



### Switch Description

Ampere Rating	Catalog Number	Fuse Type
<b>250 Volts</b>		
30-30	FDPWT3211R	R
30-60	FDPWT3212R	R
60-60	FDPWT3222R	R
30-100	FDPWT3213R	R
60-100	FDPWT3223R	R
100-100	FDPWT3233R	R
<b>600 Volts</b>		
30-30	FDPWT3611R	R
30-60	FDPWT3612R	R
60-60	FDPWT3622R	R
30-30	FDPWT3611J	J
30-60	FDPWT3612J	J
60-60	FDPWT3622J	J

### Short Circuit Rating

200kA RMS symmetrical, 600V Max.

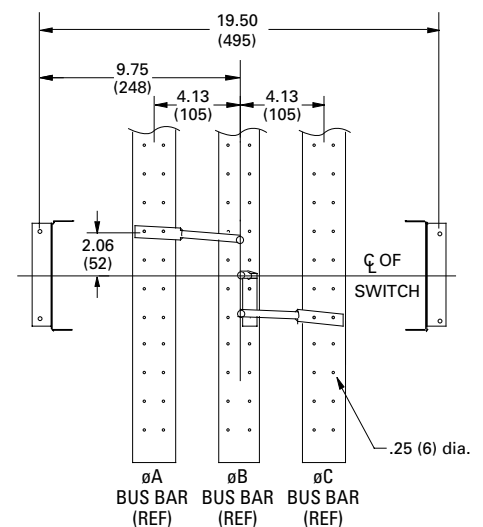
### Connector Kit for PRL4 Panel

Branch Switch Catalog Number: CKP3TBC-4X

**Note:** Quantity (2) of extension wing 114B812H02 are required to fill the gap between the switch and the panelboard trim when used in panelboards designed for a 22 inch wide switch.

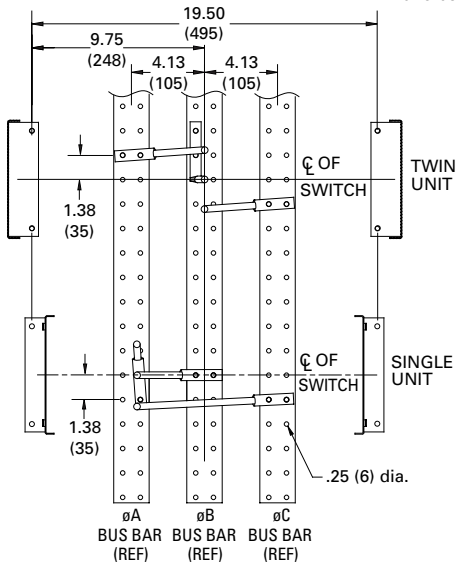
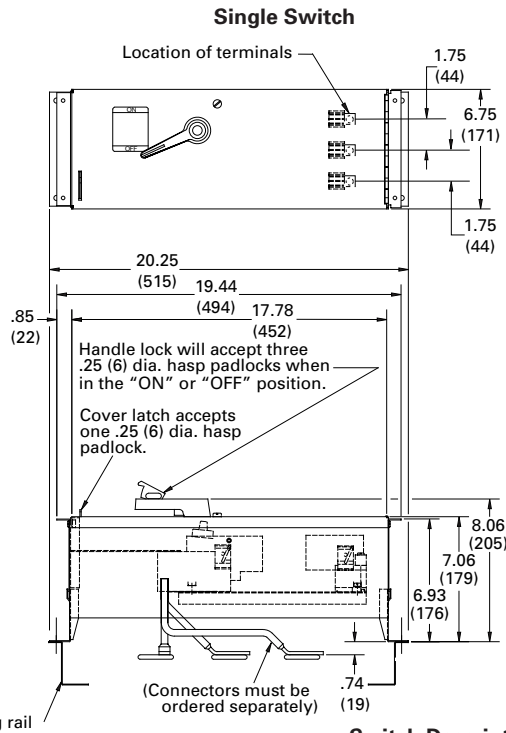
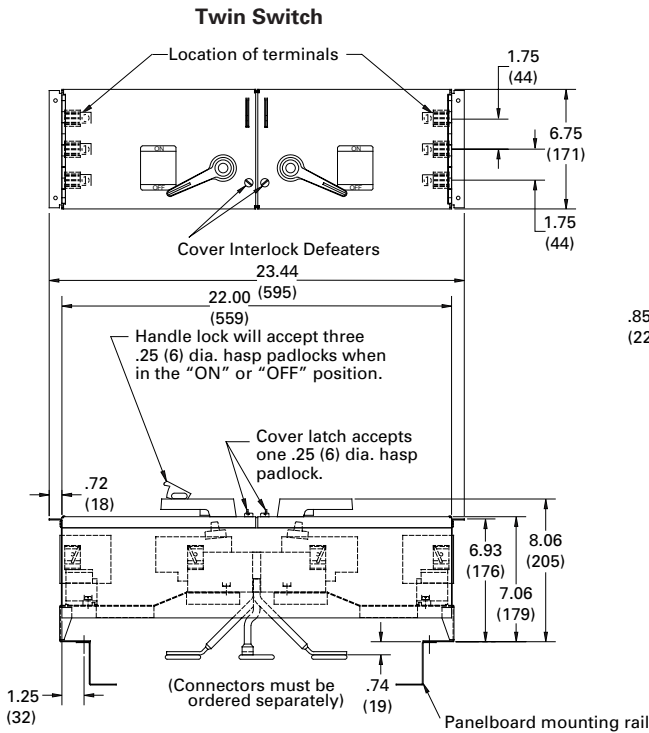
### Terminals

Pressure terminals supplied one per pole. U.L. recognized to accept one #14 to 1/0 Cu or Al wire.


**Branch Switch Connector Arrangement**



**30/60/100A 5X Horizontal Fused Switch**



**Branch Switch Connector Arrangement**

**Switch Description**

Ampere Rating	Catalog Number	Fuse Type
<b>600 Volts Only</b>		
30 - 100	FDPWT3613R	R
60 - 100	FDPWT3623R	R
100 - 100	FDPWT3633R	R
100 - 100	FDPWT3633J	J
100	FDPWS363R	R
100	FDPWS363J	J

**Short Circuit Rating**

200kA RMS symmetrical, 600V Max.

**Connector Kit for PRL4 Panel**

Single Branch Switch Catalog Number: CKP3SBC

**Note:** Quantity (2) of extension wing 114B812H03 are required to fill the gap between the switch and the panelboard trim when used in panelboards designed for a 22 inch wide switch.

Twin Branch Switch Catalog Number: CKP3TBC-5X

**Terminals**

Pressure terminals supplied one per pole. U.L. recognized to accept one #14 to 1/0 Cu or Al wire.

**Cutler-Hammer**

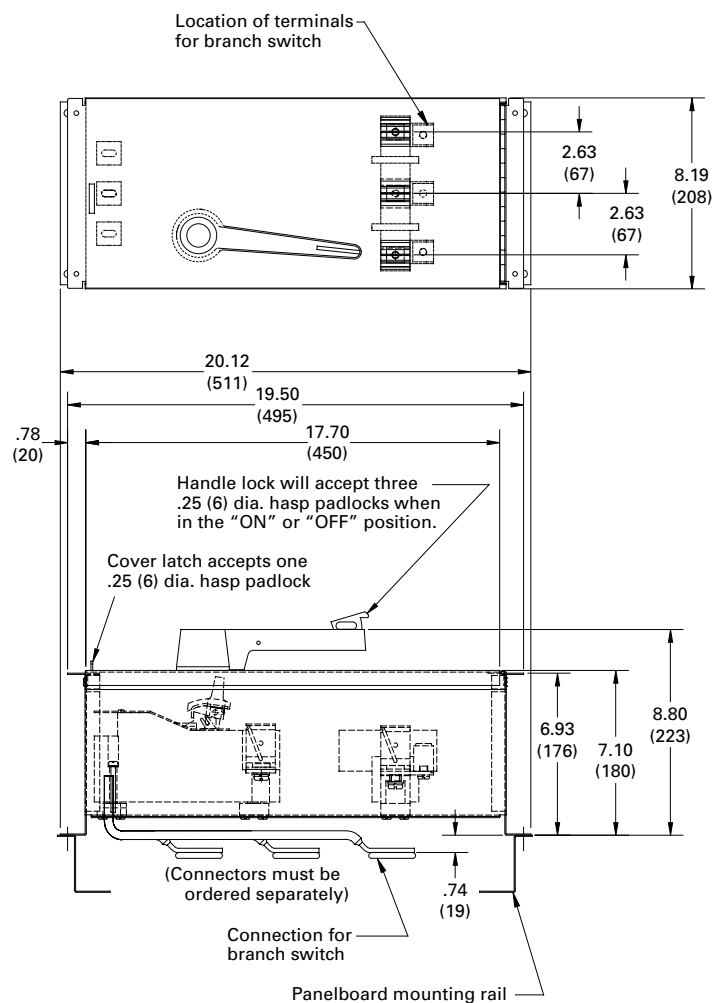
Five Parkway Center  
 Pittsburgh, Pennsylvania, U.S.A. 15220



October 1997  
 Mailed to: E, D, C/29-600A

# Type FDPW Fusible Panelboard Switches

## 200A Single Horizontal Fused Switch



### Switch Description

#### Horizontal Branch

Ampere Rating	Voltage Rating	Catalog Number	Fuse Type
200	240	FDPWS324R	R
200	600	FDPWS364R	R
200	240	FDPWS324J	T
200	600	FDPWS364F	T
200	600	FDPWS364J	J

### Short Circuit Rating

200kA RMS symmetrical, 600V Max.

### Connector Kits for PRL4 Panel

Branch Switch Catalog Number: CKP4SBC

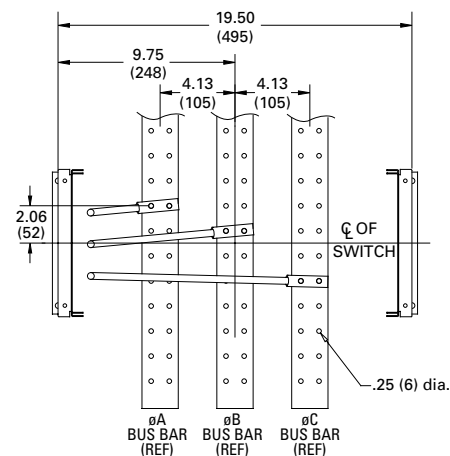
### Main Switch Catalog Number

Switch Catalog Number	Connector Catalog Number
FDPWS 324R	CKP4SMC-2R
FDPWS 364R	CKP4SMC-6R

**Note:** Quantity (2) of extension wing 114B812H05 are required to fill the gap between the switch and the panelboard trim when used in panelboards designed for a 22 inch wide switch.

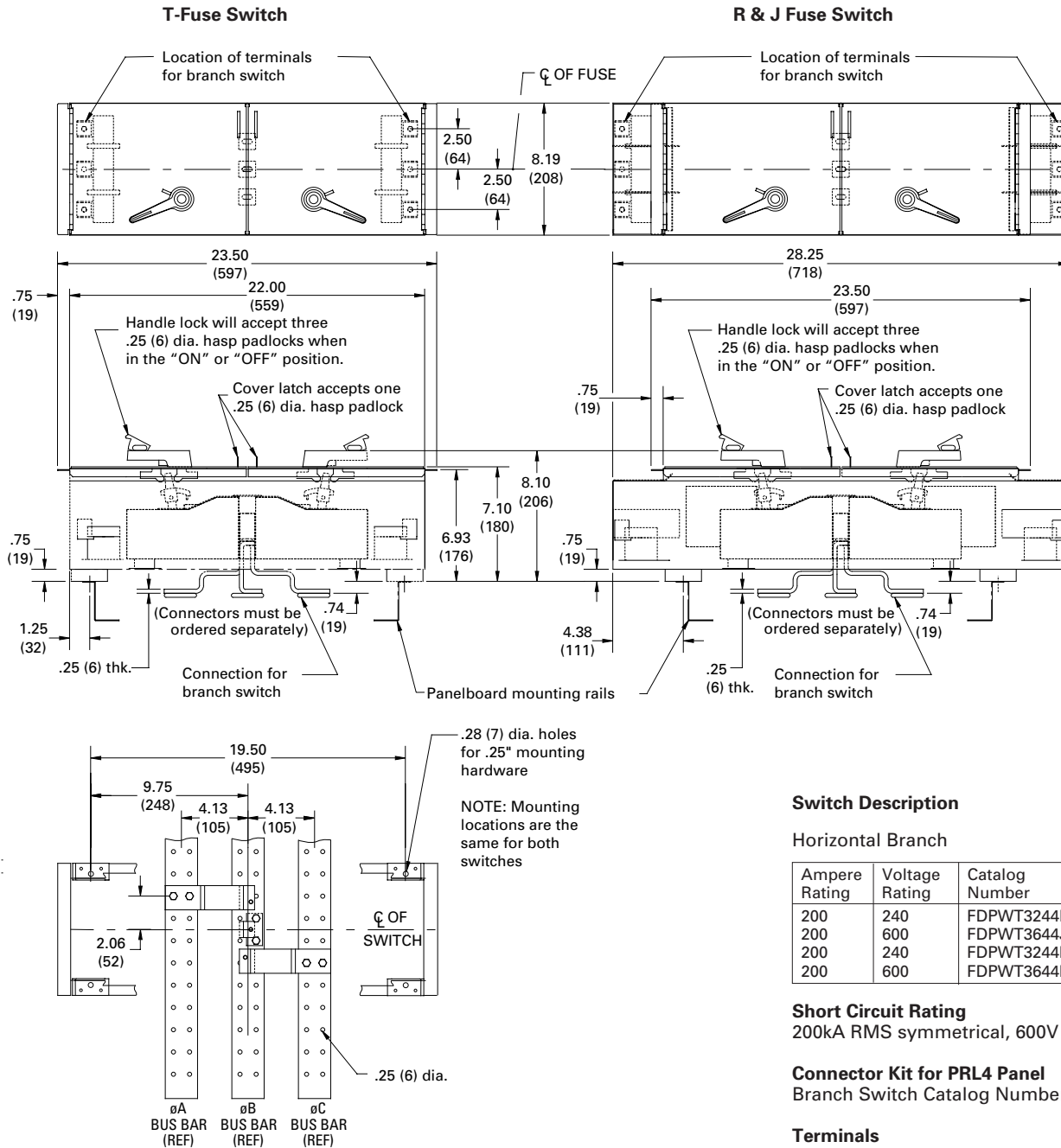
### Terminals

Pressure terminals supplied one per pole. U.L. recognized to accept one #4 to 300 kcmil Cu or Al cable.


**Branch Switch Connector Arrangement**



**200A Twin Horizontal Fused Switch**



**Branch Switch Connector Arrangement**

**Switch Description**

**Horizontal Branch**

Ampere Rating	Voltage Rating	Catalog Number	Fuse Type
200	240	FDPWT3244R	R
200	600	FDPWT3644J	J
200	240	FDPWT3244F	T
200	600	FDPWT3644F	F

**Short Circuit Rating**  
 200kA RMS symmetrical, 600V Max.

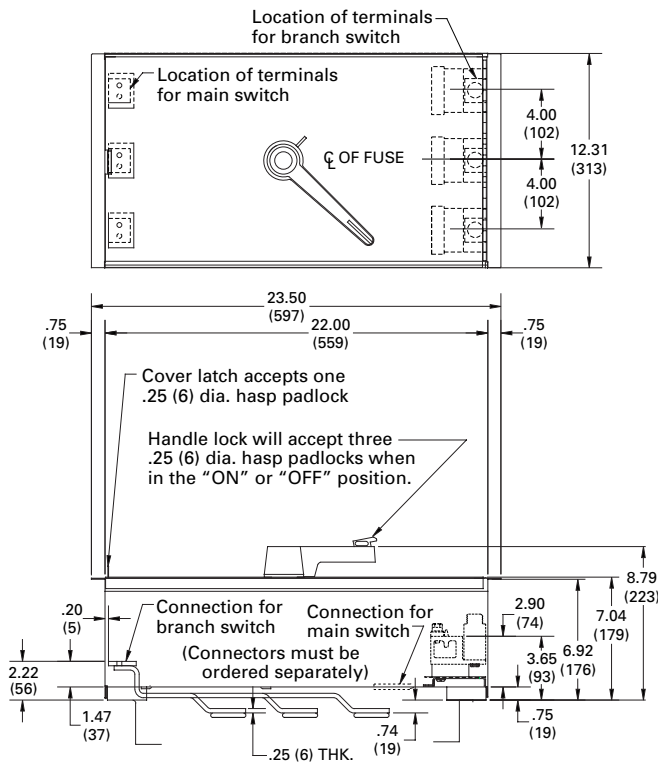
**Connector Kit for PRL4 Panel**  
 Branch Switch Catalog Number: CKP4TBC

**Terminals**  
 Pressure terminals supplied one per pole.  
 U.L. recognized to accept one #4 to 300 kcmil Cu or Al.

October 1997  
Mailed to: E, D, C/29-600A

# Type FDPW Fusible Panelboard Switches

## 400A Horizontal Fused Switch



## Switch Description

### Horizontal Branch

Ampere Rating	Voltage Rating	Catalog Number	Fuse Type
400	240	FDPW325R	R
400	600	FDPW365R	R
400	600	FDPW365J	J

### Horizontal Main

Ampere Rating	Voltage Rating	Catalog Number	Fuse Type
400	240	FDPW325MR	R
400	600	FDPW365MR	R
400	600	FDPW365MJ	J

## Short Circuit Rating

200kA RMS symmetrical, 600V Max.

## Connector Kits for PRL4 Panel

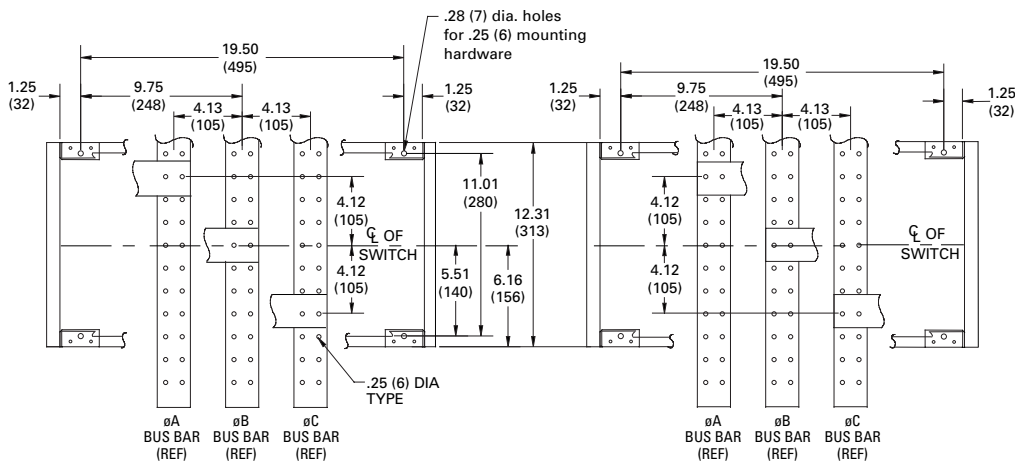
Branch Switch Catalog Number: CKP5HBC

### Horizontal Main Switch

Switch Catalog Number	Connector Catalog Number
FDPW325MR	CKP5HMC-2R
FDPWS365MR	CKP5HMC-6R
FDPWS365MJ	CKP5HMC-6J

## Terminals

Pressure terminals supplied one per pole. U.L. recognized to accept one 250 to 750 kcmil Cu or Al, or two 3/0 to 250 kcmil Cu or Al cables.

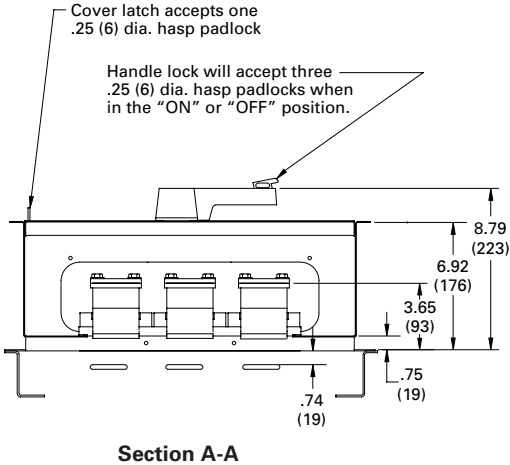


Branch Switch Connector Arrangement

Main Switch Connector Arrangement



**400A Vertical Fused Switch - Line at the Bottom**



**Switch Description**

**Vertical Main**

Ampere Rating	Voltage Rating	Catalog Number	Fuse Type
400	240	FDPW325BR	R
400	600	FDPW365BR	R
400	600	FDPW365BJ	J

**Short Circuit Rating**

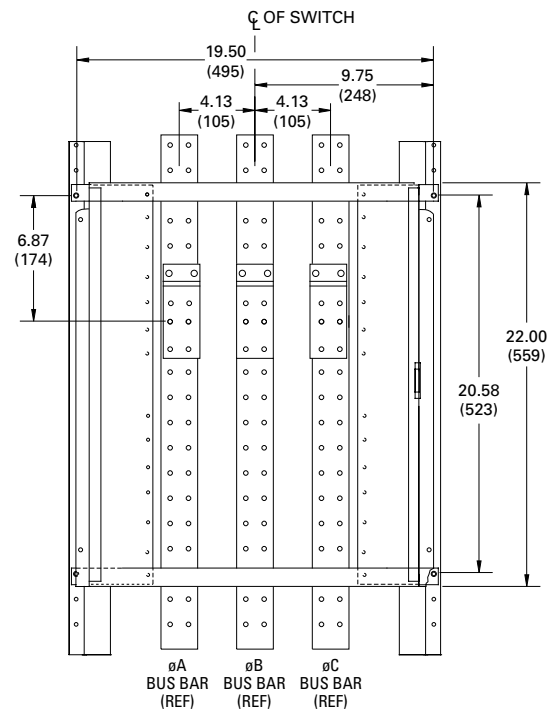
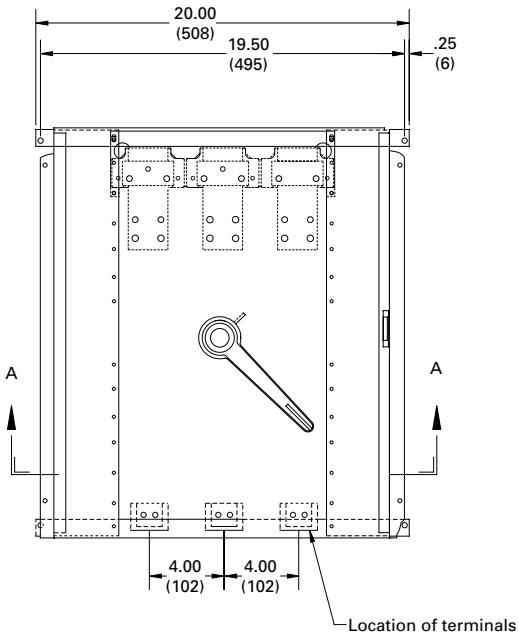
200kA RMS symmetrical, 600V Max.

**Connector Kit for PRL4 Panel**

Vertical Main Switch Catalog Number: CKP5VMC

**Terminals**

Pressure terminals supplied one per pole. U.L. recognized to accept one 250 to 750 kcmil Cu or Al, or two 3/0 to 250 kcmil Cu or Al cables.



**Main Switch Connector Arrangement**

**Cutler-Hammer**

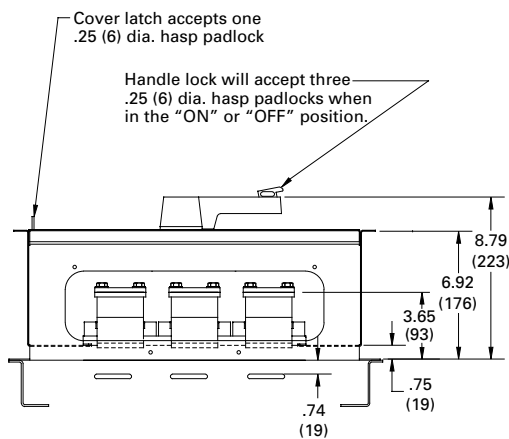
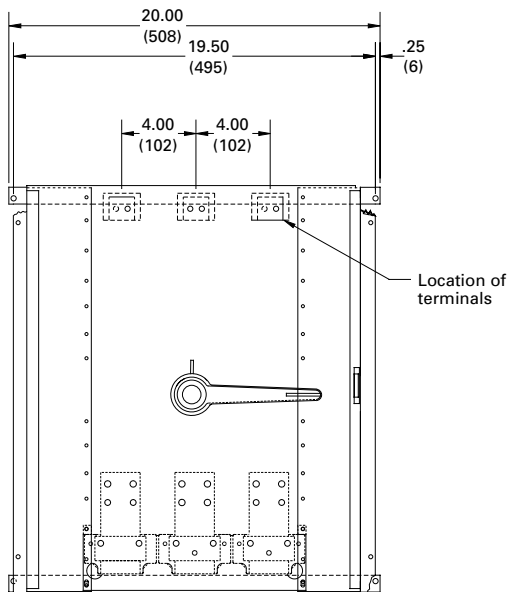
Five Parkway Center  
 Pittsburgh, Pennsylvania, U.S.A. 15220



October 1997  
 Mailed to: E, D, C/29-600A

# Type FDPW Fusible Panelboard Switches

## 400A Vertical Fused Switch - Line at the Top



## Switch Description

### Vertical Main

Ampere Rating	Voltage Rating	Catalog Number	Fuse Type
400	240	FDPW325TR	R
400	600	FDPW365TR	R
400	600	FDPW365TJ	J

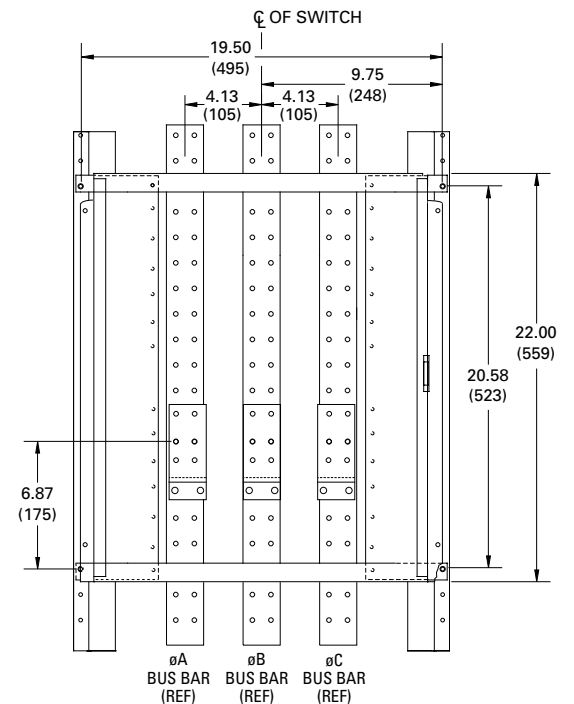
### Short Circuit Rating

200kA RMS symmetrical, 600V Max.

### Connector Kit for PRL4 Panel

Branch Switch Catalog Number: CKP5VMC

### Terminals

 Pressure terminals supplied one per pole.  
 U.L. recognized to accept one 250 to 750 kcmil Cu or Al, or two 3/0 to 250 kcmil Cu or Al cables.

**Main Switch Connector Arrangement**

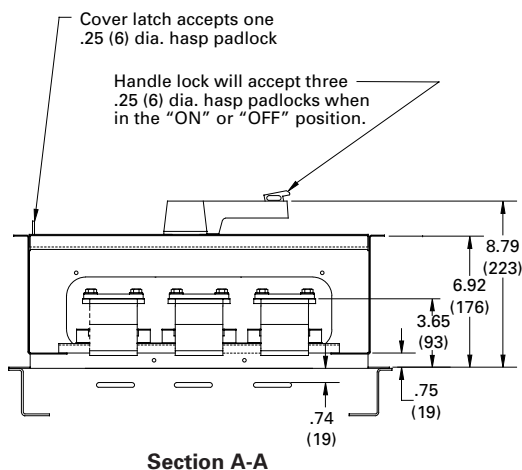




October 1997  
 Mailed to: E, D, C/29-600A

# Type FDPW Fusible Panelboard Switches

## 600A Vertical Fused Switch - Line at the Bottom



## Switch Description

### Vertical Main

Ampere Rating	Voltage Rating	Catalog Number	Fuse Type
600	240	FDPW326BR	R
600	600	FDPW366BR	R
600	600	FDPW366BJ	J

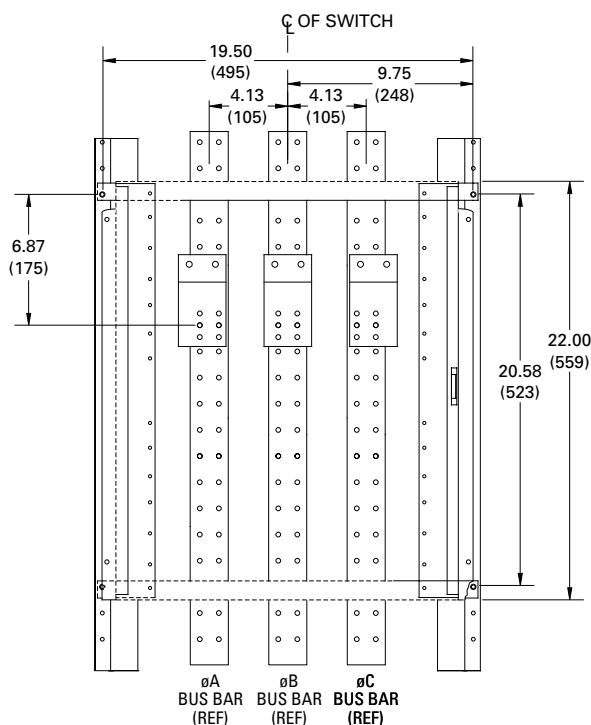
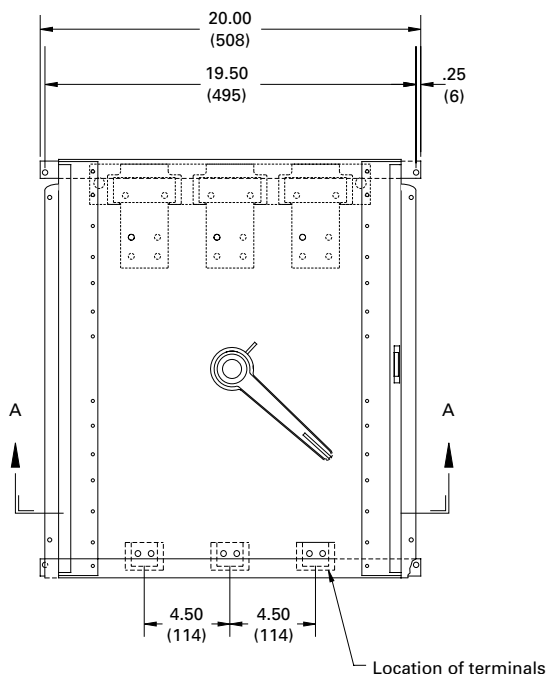
### Short Circuit Rating

200kA RMS symmetrical, 600V Max.

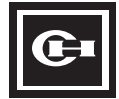
### Connector Kit for PRL4 Panel

 Vertical Main Switch Catalog Number:  
 CKP6VMC

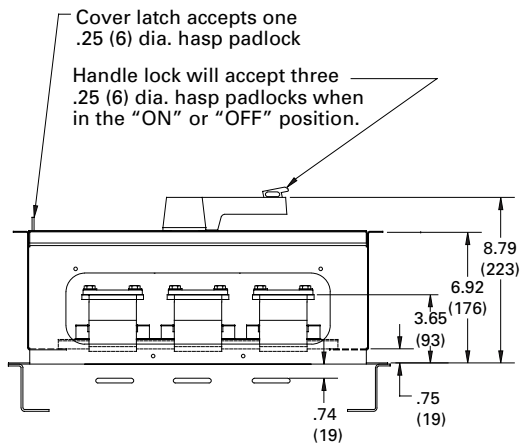
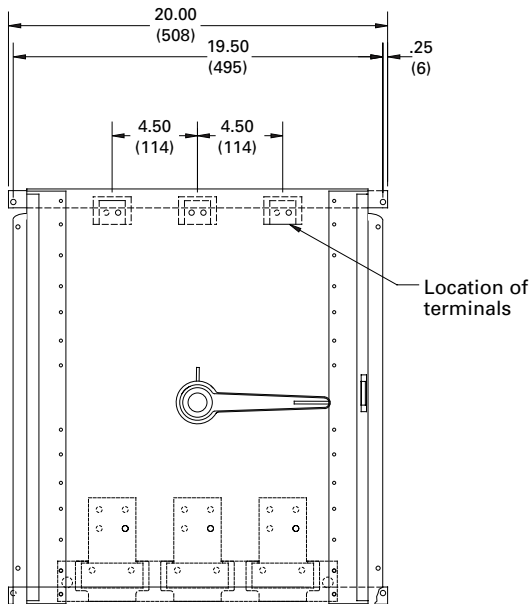
### Terminals

 Pressure terminals supplied one per pole.  
 U.L. recognized to accept one 250 to 750 kcmil Cu or Al, or two 3/0 to 250 kcmil Cu or Al cables.


**Main Switch Connector Arrangement**



**600A Vertical Fused Switch - Line at the Top**



**Switch Description**

**Vertical Main**

Ampere Rating	Voltage Rating	Catalog Number	Fuse Type
600	240	FDPW326TR	R
600	600	FDPW366TR	R
600	600	FDPW366TJ	J

**Short Circuit Rating**

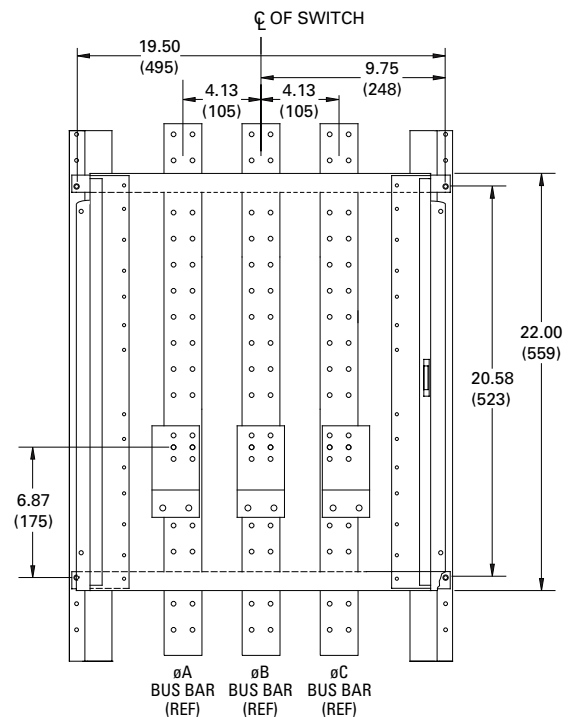
200kA RMS symmetrical, 600V Max.

**Connector Kit for PRL4 Panel**

Vertical Main Switch Catalog Number:  
 CKP6VMC

**Terminals**

Pressure terminals supplied one per pole.  
 U.L. recognized to accept one 250 to 750 kcmil Cu or Al, or two 3/0 to 250 kcmil Cu or Al cables.



**Main Switch Connector Arrangement**

**Cutler-Hammer**

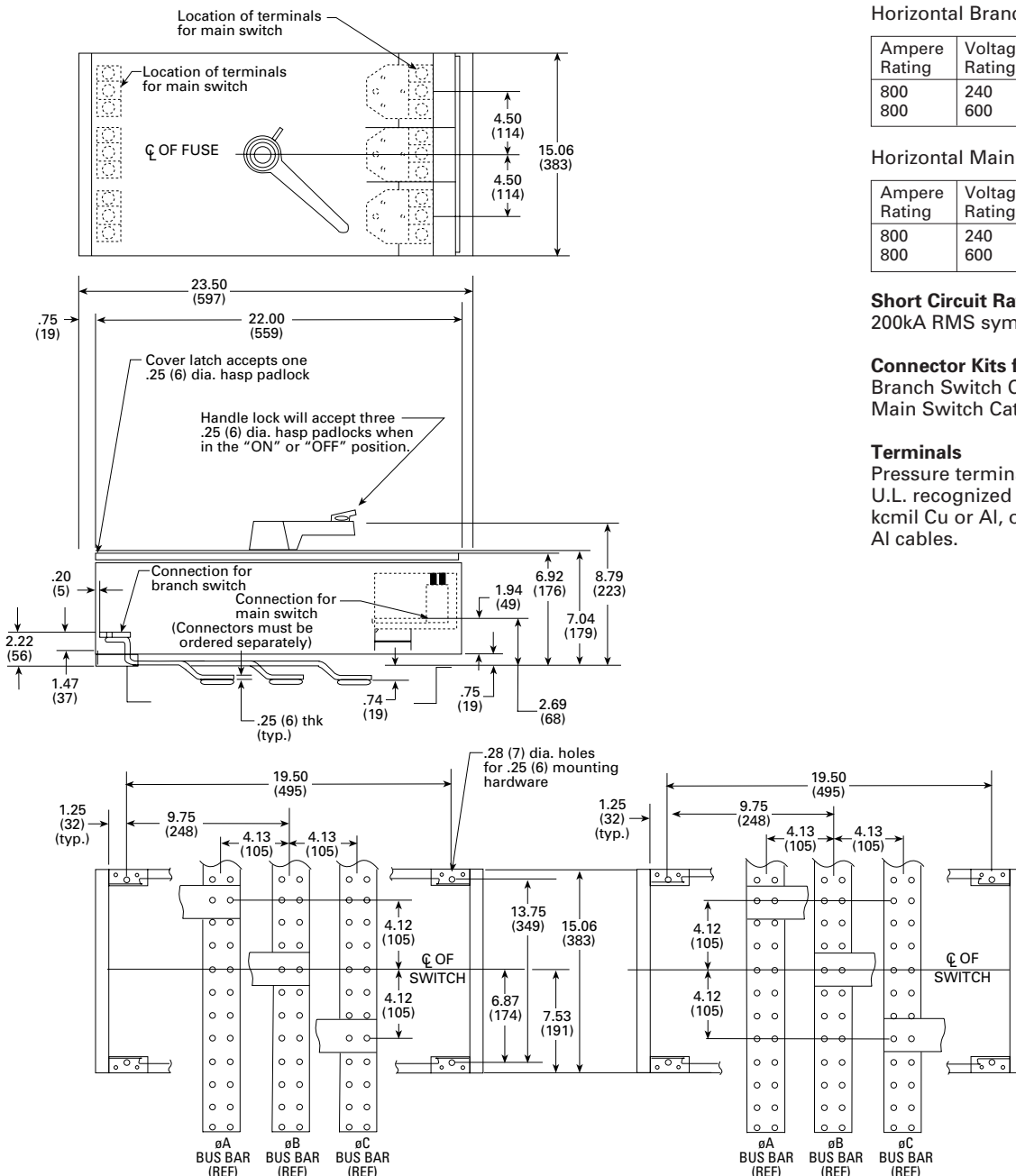
Five Parkway Center  
 Pittsburgh, Pennsylvania, U.S.A. 15220



October 1997  
Mailed to: E, D, C/29-600A

# Type FDPW Fusible Panelboard Switches

## 800A Horizontal Fused Switch



Branch Switch Connector Arrangement

Main Switch Connector Arrangement

## Switch Description

### Horizontal Branch

Ampere Rating	Voltage Rating	Catalog Number	Fuse Type
800	240	FDPW327F	T
800	600	FDPW367	L

### Horizontal Main

Ampere Rating	Voltage Rating	Catalog Number	Fuse Type
800	240	FDPW327MF	T
800	600	FDPW367M	L

## Short Circuit Rating

200kA RMS symmetrical, 600V Max.

## Connector Kits for PRL4 Panel

Branch Switch Catalog Number: CKP7HBC

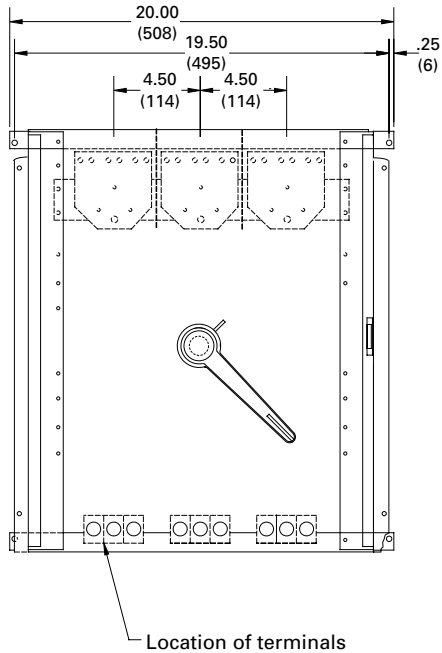
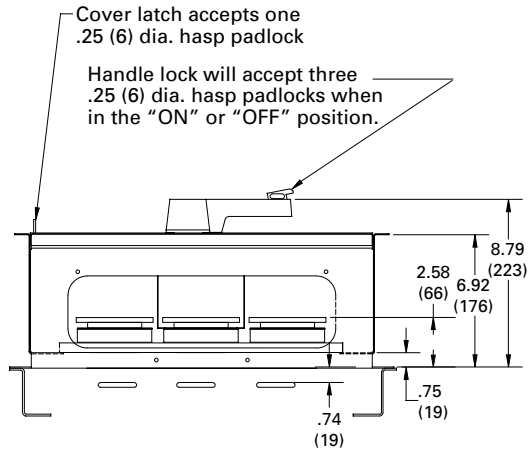
Main Switch Catalog Number: CKP7HMC

## Terminals

Pressure terminals supplied one per pole. U.L. recognized to accept one 250 to 750 kcmil Cu or Al, or two 3/0 to 250 kcmil Cu or Al cables.



**800A Vertical Fused Switch - Line at the Bottom**



**Switch Description**

Vertical Main

Ampere Rating	Voltage Rating	Catalog Number	Fuse Type
800	240	FDPW327BF	T
800	600	FDPW367B	L

**Short Circuit Rating**

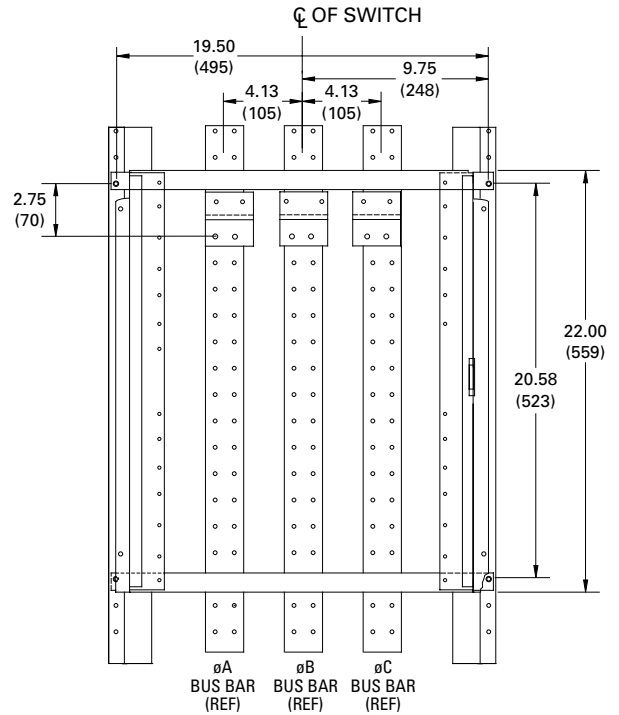
200kA RMS symmetrical, 600V Max.

**Connector Kit for PRL4 Panel**

Main Switch Catalog Number: CKP7VMC

**Terminals**

Pressure terminals supplied one per pole. U.L. recognized to accept one 250 to 750 kcmil Cu or Al, or two 3/0 to 250 kcmil Cu or Al cables.



**Main Switch Connector Arrangement**

**Cutler-Hammer**

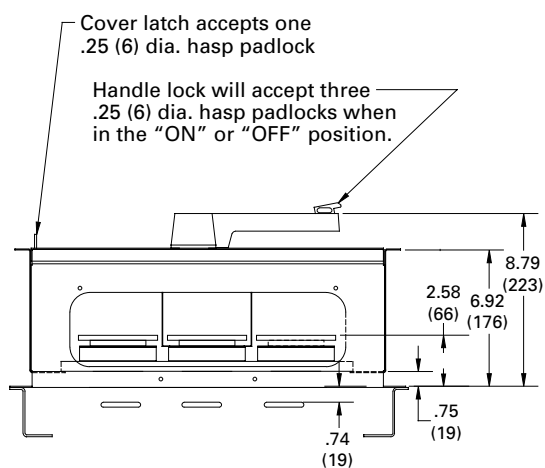
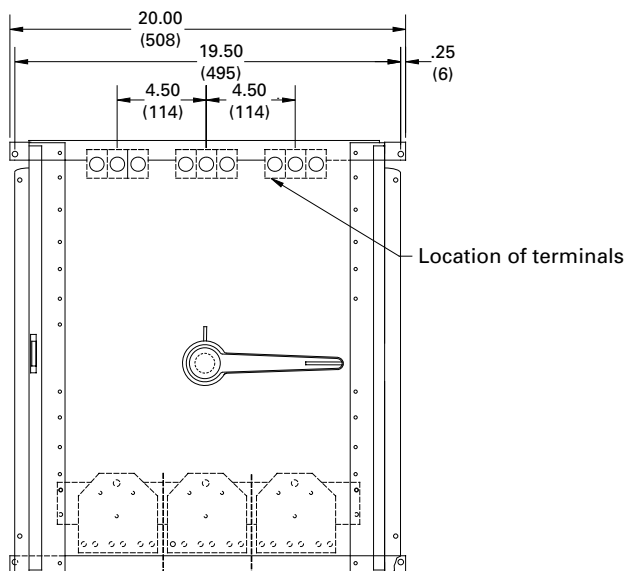
Five Parkway Center  
 Pittsburgh, Pennsylvania, U.S.A. 15220



October 1997  
 Mailed to: E, D, C/29-600A

# Type FDPW Fusible Panelboard Switches

## 800A Vertical Fused Switch - Line at the Top



## Switch Description

### Vertical Main

Ampere Rating	Voltage Rating	Catalog Number	Fuse Type
800	240	FDPW327TF	T
800	600	FDPW367T	L

### Short Circuit Rating

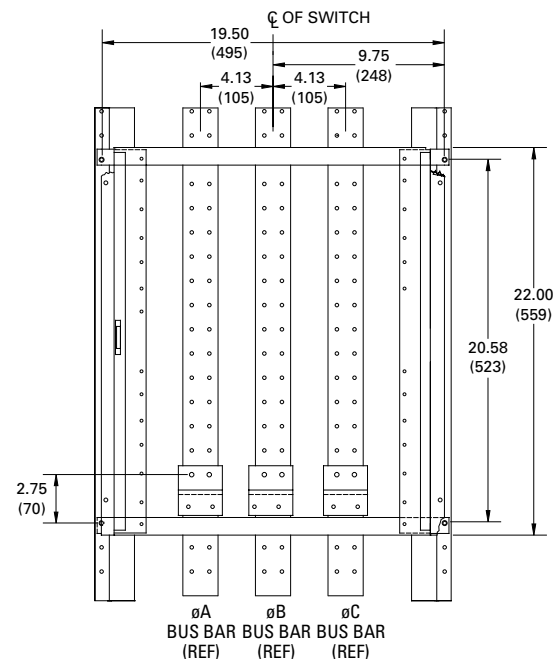
200kA RMS symmetrical, 600V Max.

### Connector Kit for PRL4 Panel

Main Switch Catalog Number: CKP7VMC

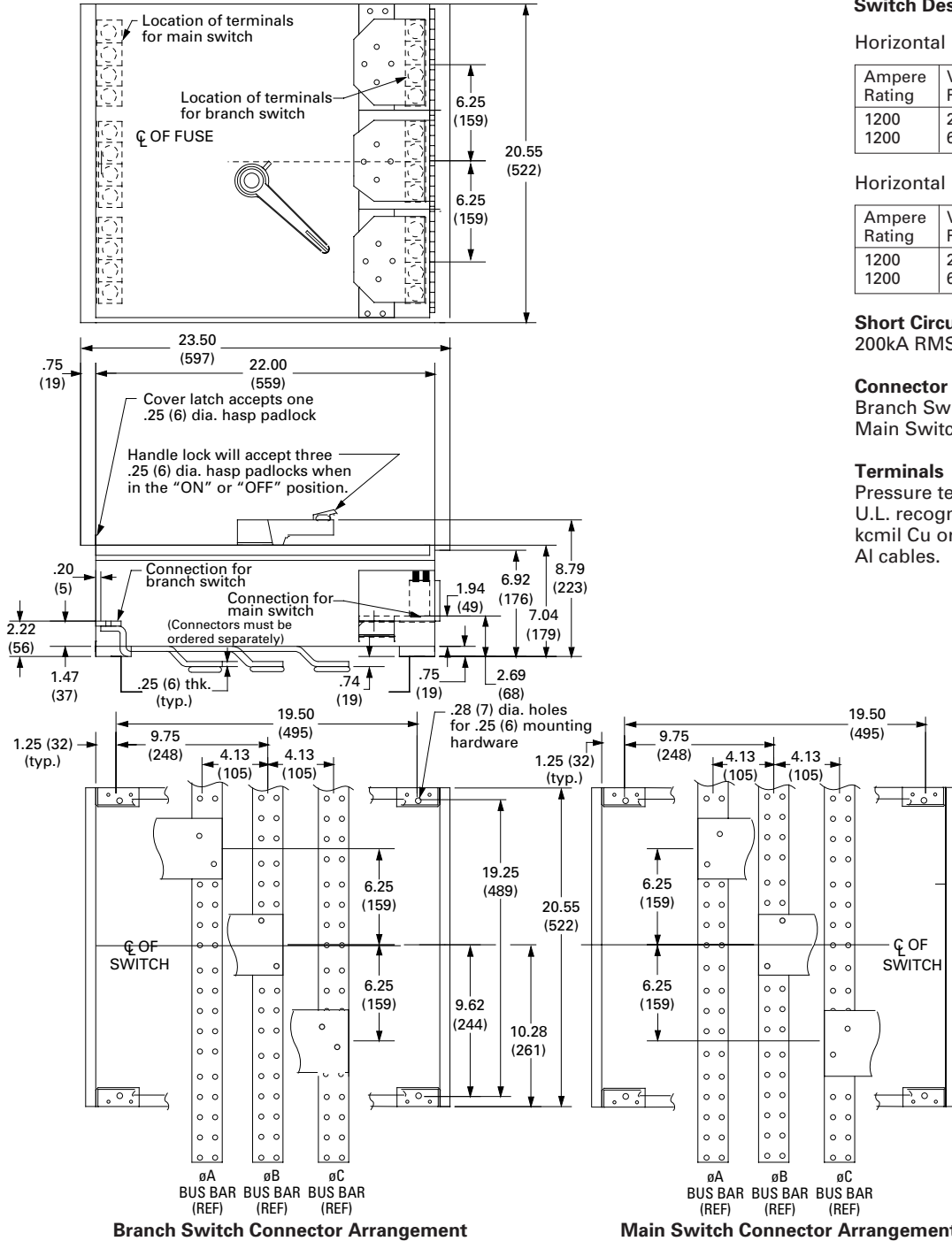
### Terminals

Pressure terminals supplied one per pole. U.L. recognized to accept one 250 to 750 kcmil Cu or Al, or two 3/0 to 250 kcmil Cu or Al cables.


**Main Switch Connector Arrangement**



**1200A Horizontal Fused Switch**



**Switch Description**

**Horizontal Branch**

Ampere Rating	Voltage Rating	Catalog Number	Fuse Type
1200	240	FDPW328F	T
1200	600	FDPW368	L

**Horizontal Main**

Ampere Rating	Voltage Rating	Catalog Number	Fuse Type
1200	240	FDPW328MF	T
1200	600	FDPW368M	L

**Short Circuit Rating**

200kA RMS symmetrical, 600V Max.

**Connector Kits for PRL4 Panel**

Branch Switch Catalog Number: CKP8HBC  
 Main Switch Catalog Number: CKP8HMC

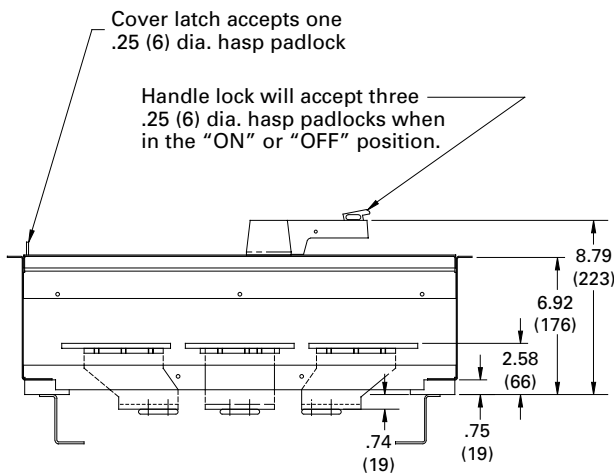
**Terminals**

Pressure terminals supplied one per pole.  
 U.L. recognized to accept one 250 to 750 kcmil Cu or Al, or two 3/0 to 250 kcmil Cu or Al cables.

October 1997  
 Mailed to: E, D, C/29-600A

# Type FDPW Fusible Panelboard Switches

## 1200A Vertical Fused Switch - Line at the Bottom



## Switch Description

Vertical Main

Ampere Rating	Voltage Rating	Catalog Number	Fuse Type
1200	240	FDPW328BF	T
1200	600	FDPW368B	L

## Short Circuit Rating

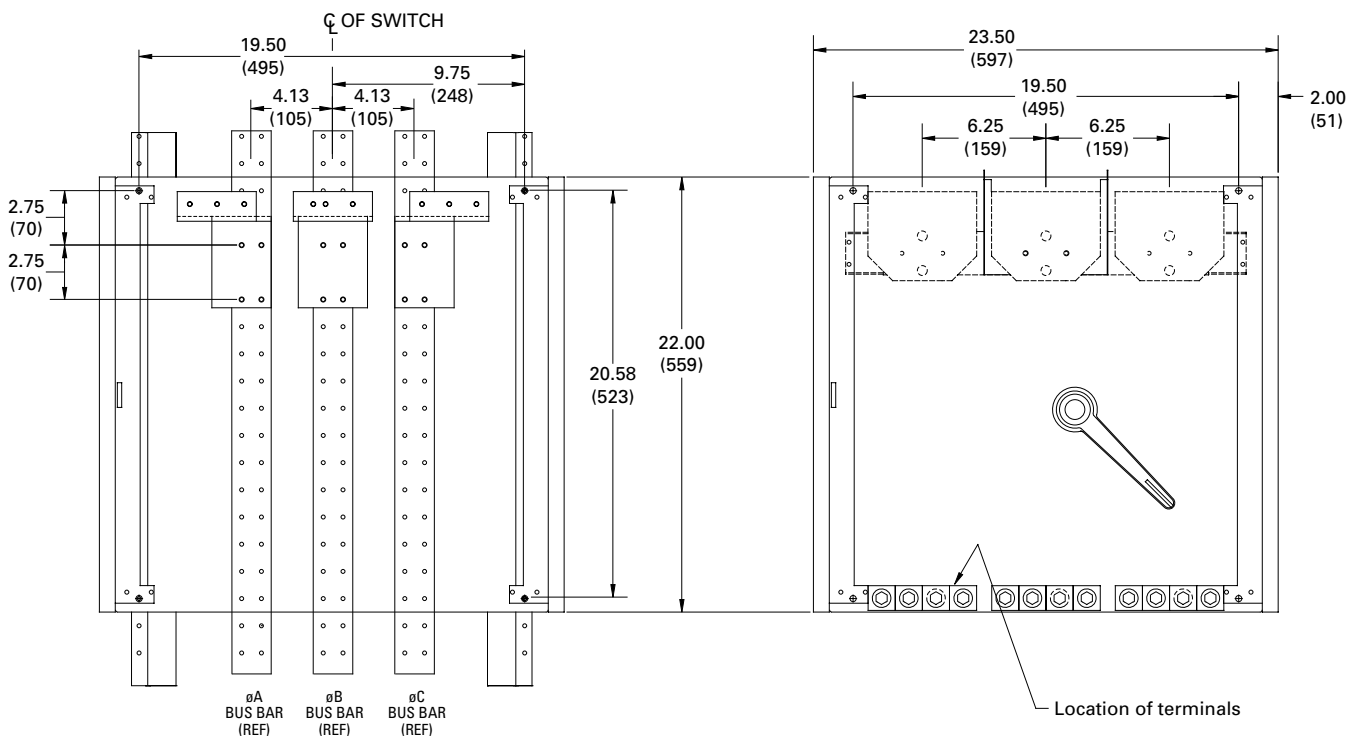
200kA RMS symmetrical, 600V Max.

## Connector Kit for PRL4 Panel

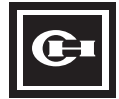
Main Switch Catalog Number: CKP8VMC

## Terminals

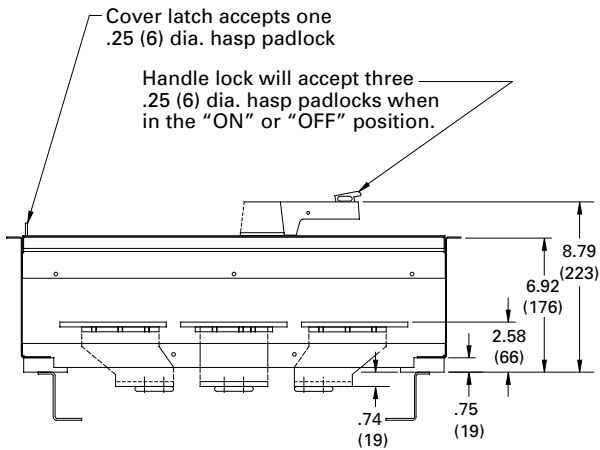
Pressure terminals supplied one per pole. U.L. recognized to accept one 250 to 750 kcmil Cu or Al, or two 3/0 to 250 kcmil Cu or Al cables.


**Main Switch Connector Arrangement**





**1200A Vertical Fused Switch - Line at the Top**



**Switch Description**

Vertical Main

Ampere Rating	Voltage Rating	Catalog Number	Fuse Type
1200	240	FDPW328TF	T
1200	600	FDPW368T	L

**Short Circuit Rating**

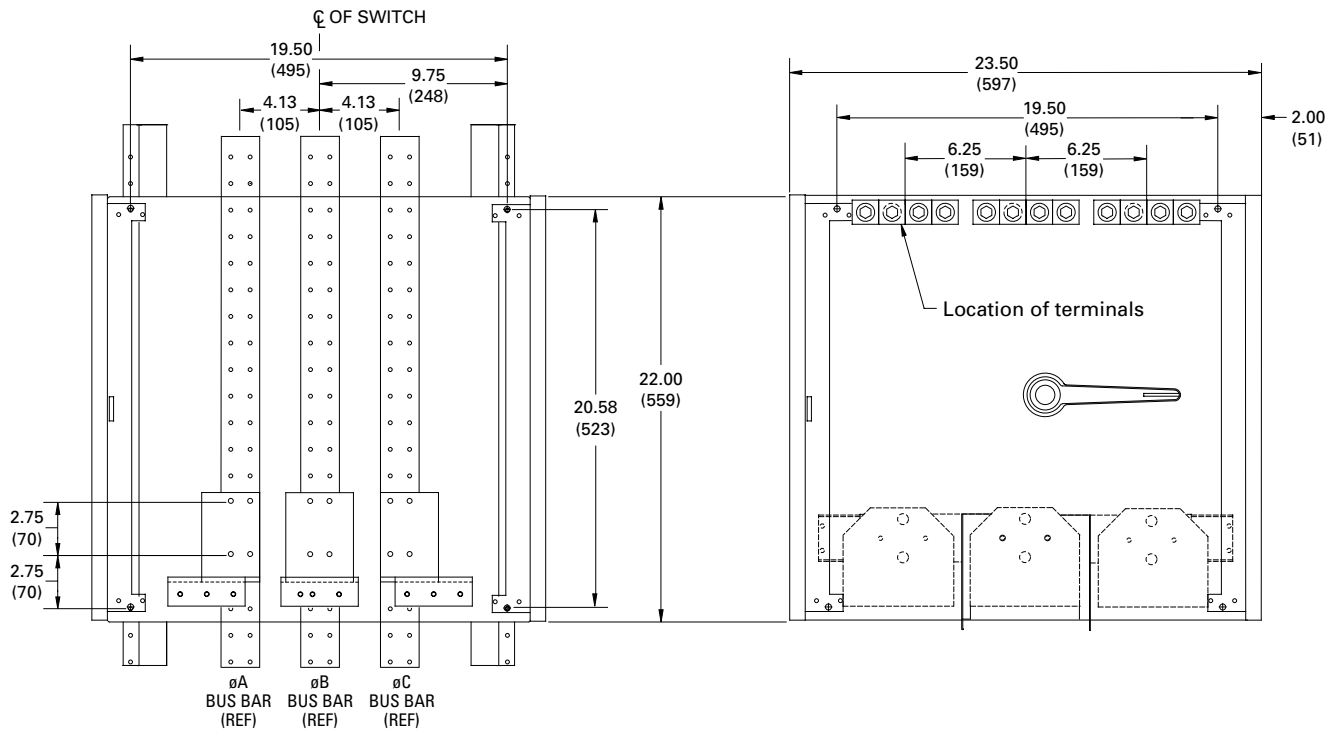
200kA RMS symmetrical, 600V Max.

**Connector Kit for PRL4 Panel**

Main Switch Catalog Number: CKP8VMC

**Terminals**

Pressure terminals supplied one per pole. U.L. recognized to accept one 250 to 750 kcmil Cu or Al, or two 3/0 to 250 kcmil Cu or Al cables.



**Main Switch Connector Arrangement**

**Cutler-Hammer**

Five Parkway Center  
 Pittsburgh, Pennsylvania, U.S.A. 15220

