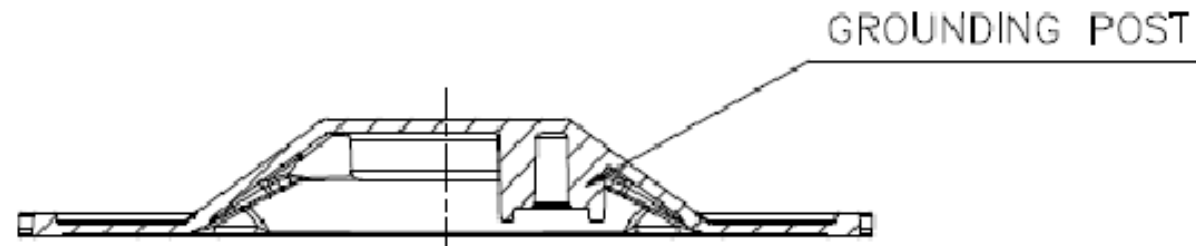


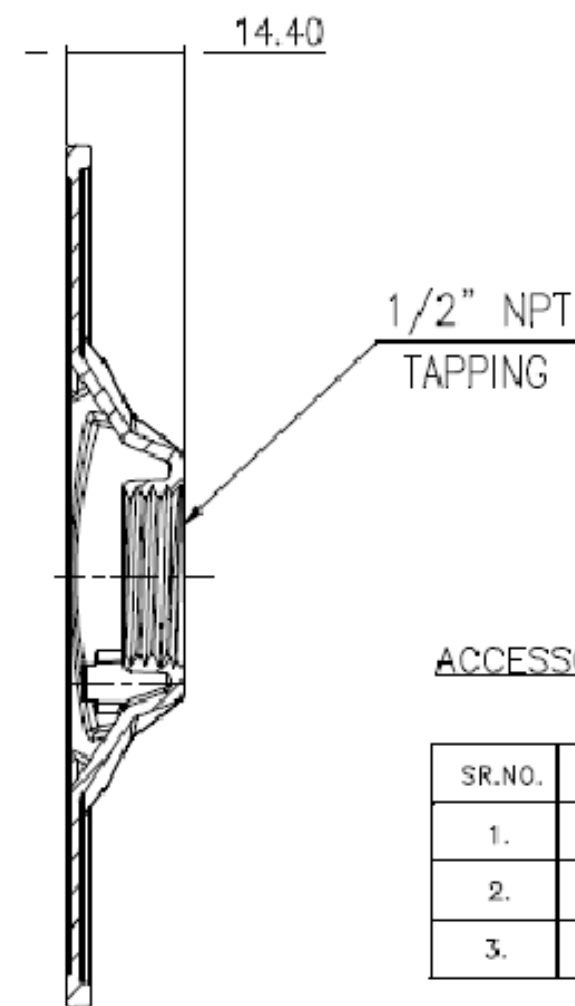
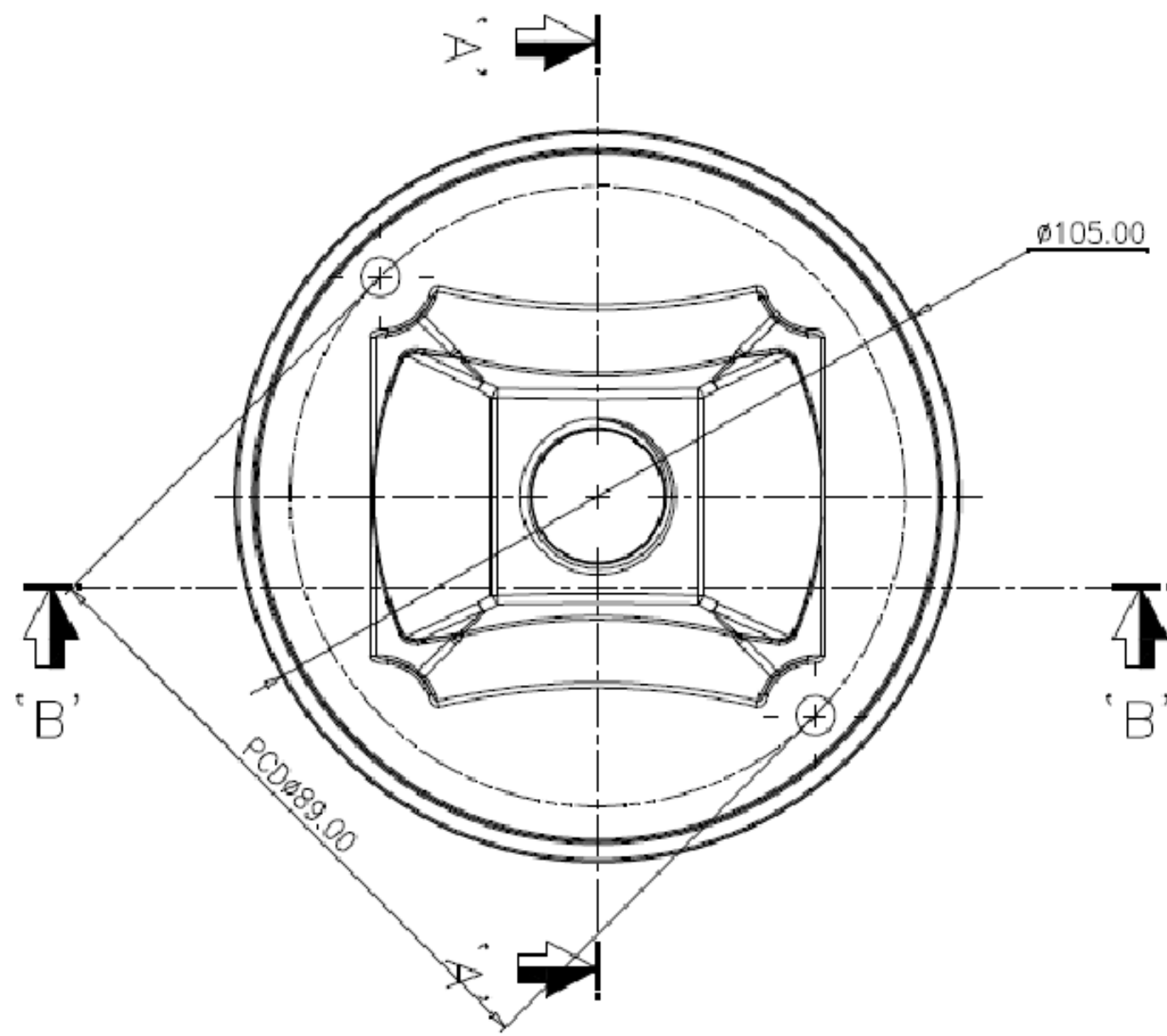
ZONE	NO.	DESCRIPTION	DATE	APPRD.	LTR. NO.
	1	SUBMIT FOR RELEASE	5/7/2020	PW	

4-1/2" 1 HOLE WP ROUND COVER

TP7302	BRONZE
TP7300	GREY
TP7301	WHITE



SECTION 'B'-'B'



SECTION 'A'-'A'

ACCESSORIES:

SR.NO.	DESCRIPTION	MATERIAL	QTY.
1.	GASKET	POLYETHYLENE FOAM	1
2.	SCREW (NO.10 X 0.50")	LOW CARBON STEEL	2
3.	SCREW (NO.8 X 0.31")	LOW CARBON STEEL	1

NOTES:

- CERTIFICATION/LISTING:
- ENVIRONMENTAL RATING:
-WEATHERPROOF
-WET LOCATION

<p>THIS IS PROPERTY OF EATON AND CONTAINS CONFIDENTIAL AND TRADE SECRET INFORMATION. POSSESSION DOES NOT CONVEY ANY RIGHTS TO LOAN, SELL OR DISCLOSE SAID INFORMATION. REPRODUCTION OR USE FOR ANY PURPOSE OTHER THAN WHICH IT WAS SUPPLIED MAY NOT BE MADE WITHOUT EXPRESS WRITTEN PERMISSION OF EATON. THIS DRAWING IS ON LOAN AND IS TO BE RETURNED UPON REQUEST.</p>	<p>TOLERANCES UNLESS OTHERWISE SPECIFIED</p> <table border="1"> <thead> <tr> <th></th> <th>in.</th> <th>mm</th> </tr> </thead> <tbody> <tr> <td>.X</td> <td>± .1</td> <td>± .3</td> </tr> <tr> <td>.XX</td> <td>± .01</td> <td>± .13</td> </tr> <tr> <td>.XXX</td> <td>± .005</td> <td>± .000</td> </tr> <tr> <td>ANGLES</td> <td>± 1.5°</td> <td>± 1.5°</td> </tr> </tbody> </table>			in.	mm	.X	± .1	± .3	.XX	± .01	± .13	.XXX	± .005	± .000	ANGLES	± 1.5°	± 1.5°	<p>UNLESS OTHERWISE SPECIFIED, ALL PRIMARY DIMENSIONS ARE IN INCHES. DIMENSIONS IN [] ARE IN MILLIMETERS.</p>	
		in.	mm																
	.X	± .1	± .3																
	.XX	± .01	± .13																
.XXX	± .005	± .000																	
ANGLES	± 1.5°	± 1.5°																	
MATERIAL:	DIM AND TOL IN ACCORDANCE WITH ASME Y14.5 2009.	ORIGINAL DATE	05/4/2020	TITLE	4-1/2" 1HL WP RND COV														
FINISH:	THIRD ANGLE PROJECTION	REDRAWN DATE		DRAWN BY	1/2"														
NEXT ASSY.	USED ON	CHECKED BY		APPROVED BY	FIRST MADE FOR WEATHERPROOF														
APPLICATION		APPROVED BY		APPROVED BY	SIZE	CODE IDENT. NO.													
					C	TP7													
					SCALE 1:1	WT.													
						SHEET 1 OF 1													

SW_REV 11/2015
CCHSY-SW-Template-C