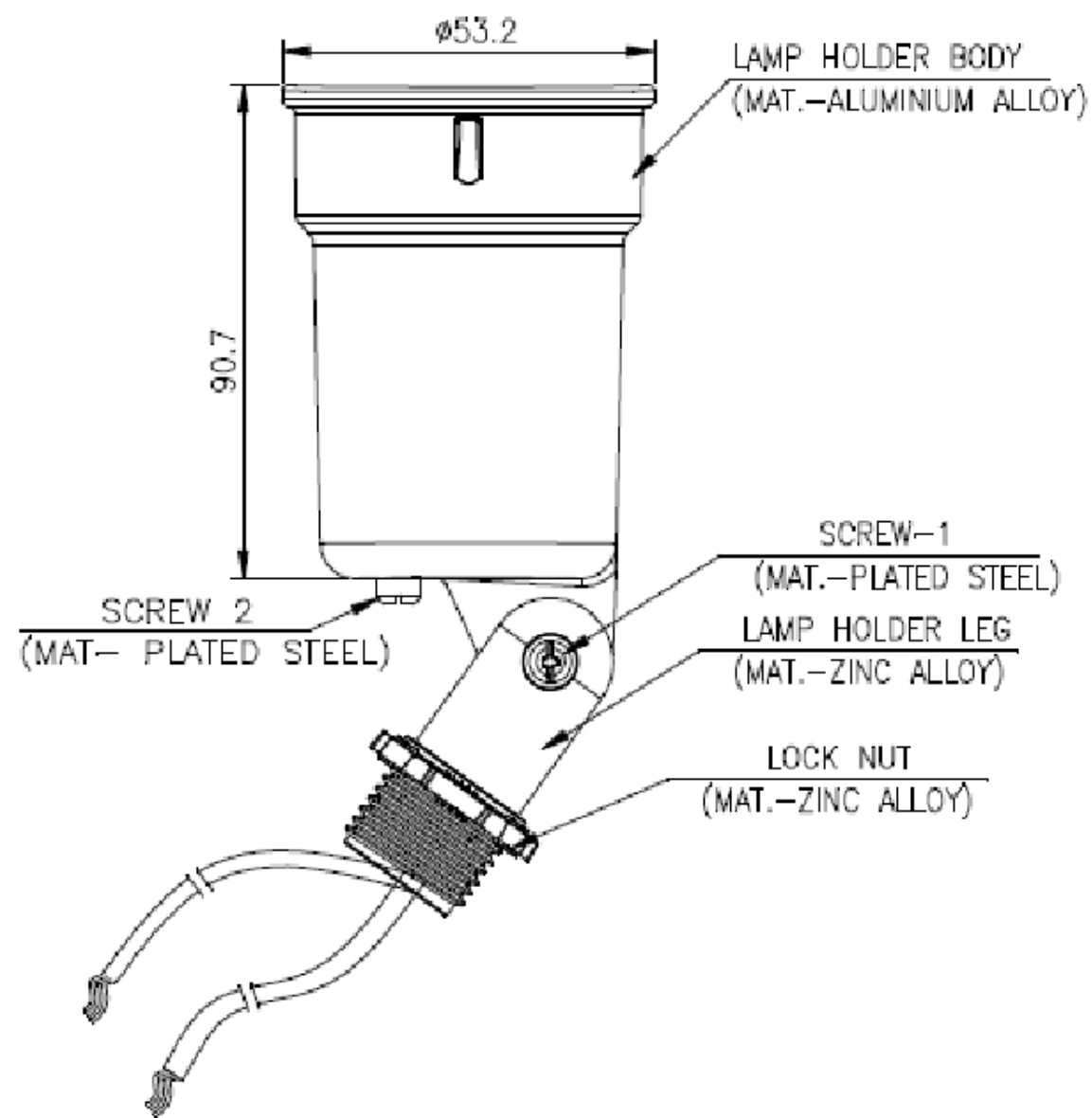


| ZONE | NO. | DESCRIPTION        | DATE     | APPRD. | LTR. NO. |
|------|-----|--------------------|----------|--------|----------|
|      | 1   | SUBMIT FOR RELEASE | 5/7/2020 | PW     |          |

### UNIVERSAL LAMP HOLDER



|        |         |
|--------|---------|
| TP7162 | NATURAL |
| TP7165 | BRONZE  |
| TP7163 | GREY    |
| TP7164 | WHITE   |


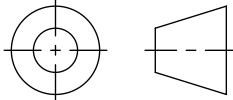


#### NOT VISIBLE IN ASSEMBLY VIEW:

| SR.NO. | PRODUCT NAME     | MATERIAL     | QUANTITY |
|--------|------------------|--------------|----------|
| 1      | PORCELIEN SOCKET | PORCELIEN    | 1        |
| 2      | GASKET           | FIBER        | 1        |
| 3      | SCREW-1          | PLATED STEEL | 1        |

#### NOTES:

- CERTIFICATION/LISTING:  
- ENVIRONMENTAL RATING:  
-WEATHERPROOF  
-WET LOCATION
- LAMP HOLDER SOCKET TYPE: -E26
- STANDARD LEAD WIRE SIZE 18 AWG, BLACK AND WHITE WRE 10" LONG
- RATING: -660W -250V

| <small>THIS IS PROPERTY OF EATON AND CONTAINS CONFIDENTIAL AND TRADE SECRET INFORMATION. POSSESSION DOES NOT CONVEY ANY RIGHTS TO LOAN, SELL OR DISCLOSE SAID INFORMATION. REPRODUCTION OR USE FOR ANY PURPOSE OTHER THAN WHICH IT WAS SUPPLIED MAY NOT BE MADE WITHOUT EXPRESS WRITTEN PERMISSION OF EATON. THIS DRAWING IS ON LOAN AND IS TO BE RETURNED UPON REQUEST.</small> |  | <b>TOLERANCES</b><br>UNLESS OTHERWISE SPECIFIED  |                 | UNLESS OTHERWISE SPECIFIED,<br>ALL PRIMARY DIMENSIONS<br>ARE IN INCHES.<br>DIMENSIONS IN [ ] ARE IN<br>MILLIMETERS. |              |  |     |    |      |      |     |       |       |      |        |        |        |        |
|--|--|--|-----------------|---|--------------|---|-----|----|------|------|-----|-------|-------|------|--------|--------|--------|--------|
|  |  | <table border="1"> <tr> <th></th> <th>in.</th> <th>mm</th> </tr> <tr> <td>.X</td> <td>± .1</td> <td>± .3</td> </tr> <tr> <td>.XX</td> <td>± .01</td> <td>± .13</td> </tr> <tr> <td>.XXX</td> <td>± .005</td> <td>± .000</td> </tr> <tr> <td>ANGLES</td> <td>± 1.5°</td> <td>± 1.5°</td> </tr> </table> |                 | in.   | mm           |   |     | .X | ± .1 | ± .3 | .XX | ± .01 | ± .13 | .XXX | ± .005 | ± .000 | ANGLES | ± 1.5° |
|  | in.  | mm   |                 |   |              |   |     |    |      |      |     |       |       |      |        |        |        |        |
| .X   | ± .1   | ± .3   |                 |   |              |   |     |    |      |      |     |       |       |      |        |        |        |        |
| .XX  | ± .01  | ± .13  |                 |   |              |   |     |    |      |      |     |       |       |      |        |        |        |        |
| .XXX   | ± .005   | ± .000   |                 |   |              |   |     |    |      |      |     |       |       |      |        |        |        |        |
| ANGLES   | ± 1.5°   | ± 1.5°   |                 |   |              |   |     |    |      |      |     |       |       |      |        |        |        |        |
| MATERIAL:  | DIM AND TOL IN ACCORDANCE<br>WITH ASME Y14.5 2009. |  | DRAWN BY<br>TAK | FIRST MADE FOR WEATHERPROOF   |              | SIZE<br>C   |     |    |      |      |     |       |       |      |        |        |        |        |
| FINISH:  | THIRD ANGLE PROJECTION                             |  | CHECKED BY<br>  | CODE IDENT. NO.<br>   |              | REV.<br>1   |     |    |      |      |     |       |       |      |        |        |        |        |
| NEXT ASSY.   | USED ON  |   |                 | APPROVED BY<br>   | SCALE 1:1    |   | WT. |    |      |      |     |       |       |      |        |        |        |        |
| APPLICATION  |  |  |                 | APPROVED BY<br>   | SHEET 1 OF 1 |   |     |    |      |      |     |       |       |      |        |        |        |        |