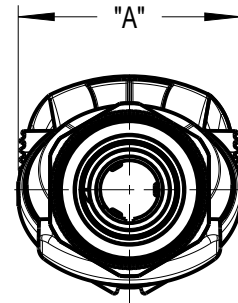
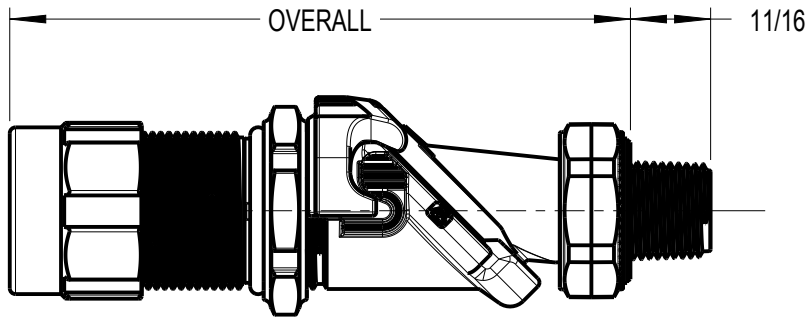




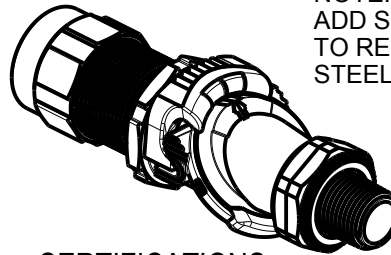
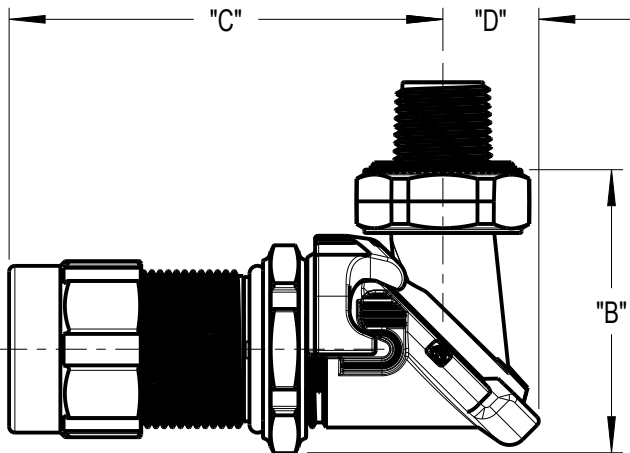
# Star Teck®



STRAIGHT REPRESENTATION

MATERIALS:  
 - ALUMINIUM  
 - NITRILE  
 - SANTOPRENE  
 - SILICONE

NOTE:  
 ADD SUFFIX "S"  
 TO REPLACE ALUMINUM BY  
 STEEL AND ZINC CONSTRUCTION



CERTIFICATIONS:



CLASS I, CLASS II GROUP EFG, CLASS III TYPE 4/4X  
 Ex e IIC IP68  
 Class I, Zone 1, AEx e II IP68



SUITABLE FOR CLASS I, II, III DIV 2 PER NEC, TYPE 4X

90° REPRESENTATION

CAT NO.	HUB SIZE	TORQUE (in-lbs)	RANGE OVER JACKET (in)		RANGE OVER ARMOR (in)		THROAT DIA. MIN (in)		OVERALL (in)	'A'	'B'	'C'	'D'
			MIN.	MAX.	MIN.	MAX.	with armor stop	without armor stop					
STED050	1/2-14 NPT	450	0.600	0.885	0.520	0.795	0.505	0.617	5.375	1 15/16	2 1/2	3 13/16	13/16
STED075	3/4-14 NPT	600	0.860	1.205	0.780	1.125	0.645	0.819	6.630	2 1/2	3	4	1 1/16

GENERAL NOTES

- ALL DIMENSIONS ARE FOR REFERENCE ONLY.
- DIMENSIONS IN BRACKETS [ ] ARE IN METRIC UNITS.

www.tnb.com

**Thomas & Betts**  
 A Member of the ABB Group

REVISIONS

- SEE ERN ( ) FOR APPROVAL SIGNATURES & RELEASE DATE.  
 PROJECT NO:

DESCRIPTION:

STED  
 STARTECK EXTREME DIRECTOR FITTING

ORIGINAL PROJECT NO / ( ERN NO )

RM401886 / ( 2016718 )

SHEET NO:

1 OF 1

REV. NO:

-

DRAWING NO:

WSD-001536