

# RA56-17F-DTW

5"/6" LUNA LED Round Fixed Dim-to-Warm Recessed Fixture, 17 Watt Recess Lighting

Job Information		
Project Name		Type
Location		
Quantity		Date
Contact/Phone		
Notes		

## Features

### Body

Durable airtight aluminum body with heat sink to provide maximum airflow for the LED light source.

### LED Characteristics

This general application light fixture available in 17 watt LED module that maintains uniform intensity producing up to 950 lumens; with a typical CRI of 90. Available in 3000 K color temperature.

### Dimming

Color temperature dimming from 3000 K to 2000 K. This fixture is compatible with industry standard forward-phase / reverse-phase and TRIAC/ELV dimmers (contact factory for list of compatible dimmers).

### Beam Spread

The fixture lens provides 40° beam spread.

### Mounting

Includes two spring loaded clips

to attached to any ceiling material. Compatible with 5" and 6" nominal hole cut sizes.

### LED Driver

Extruded aluminum hardwire box with 370mA dimmable class II electronic LED driver with 100-135V AC input. Includes an 18" FT6 rated cable with DC 2.1 connector between driver and fixture approved for use in plenums and suspended ceilings.

### Quick Connect push-in terminals

Three "Quick connect" push-in terminals for fast and easy wiring.

### Operating Temperature

-20°C~40°C (-4°F~104°F)

### Environment

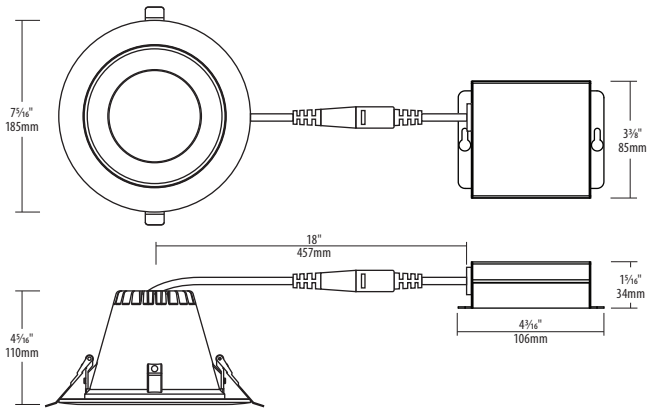
- Suitable for wet locations.
- Approved for direct contact with insulation.
- Airtight

SPECIFICATION	
Application	Ceiling Recess Mount
Approved Location	Wet / Insulated Ceilings
Beam Angle	40°
CCT	3000 K ~ 2000 K
Certification	cETLus
Class II	Yes
Color (Trim)	BK / BN / WH
Color (Reflector)	BK / GD / RG / SP / SS / WH
CRI	90
Dimming	Yes
Dimming Tech	Forward/reverse-phase TRIAC/ELV
Energy Star	Yes
Hole Cut	Ø 5½" ~ 6½" (140~155mm)
Input	100-135V AC, 60Hz
Lumens	Up to 950
Lumens per Watt	Up to 57
Power Factor	0.9
Projected Life	70% @ 33,000 hrs
Warranty	Lifetime
Wattage	17W



## Description

The RA56-17F-DTW is a 17 watt fixed Dim-to-Warm recessed light fixture for retrofit in 5" or 6" application. It is a high-performance, easy to install downlight solution that offers good light output, energy-efficiency and streamlined design. Suitable for wet locations.



**Notes:**  
 Quick Ship option is available on orders of 100 pieces or less, and will ship within 2 business days. Options must be selected from Quick Ship section to qualify. Accessories are sold separately. For additional options please consult your Liteline representative. Due to our continued efforts to improve our products, product specifications are subject to change without notice.

## Ordering Guide

Trim Color	Reflector Finish
<b>WH</b> : White	<b>WH</b> : White
<b>BK</b> : Black	<b>BK</b> : Black
<b>BN</b> : Brushed Nickel	<b>GD</b> : Gold
	<b>RG</b> : Copper
	<b>SP</b> : Specular
	<b>SS</b> : Semi-specular



Highlighted option denotes quick ship.

Liteline Corporation Telephone Fax  
 Copyright © 2019 416.996.1856 905.709.5255  
 All rights reserved. 1.866.730.7704 1.888.738.9736

LITELINE.COM

## Accessories

---



### SLM-60-FC

60" Flexible connector, for use with SLIMLED and LUNA fixtures.



### P-5510

5½" Round pre-mounting plate with driver attachment clip.



### P-NCMK-1

New construction mounting kit. Includes hanger bars, brackets and screws.



### VBE-1

Vapour barrier extender. For use in new construction applications.



### VBE-3

Vapour barrier extender. For use in remodel applications.



### VBE-5

Vapour barrier extender. For use in new construction applications.