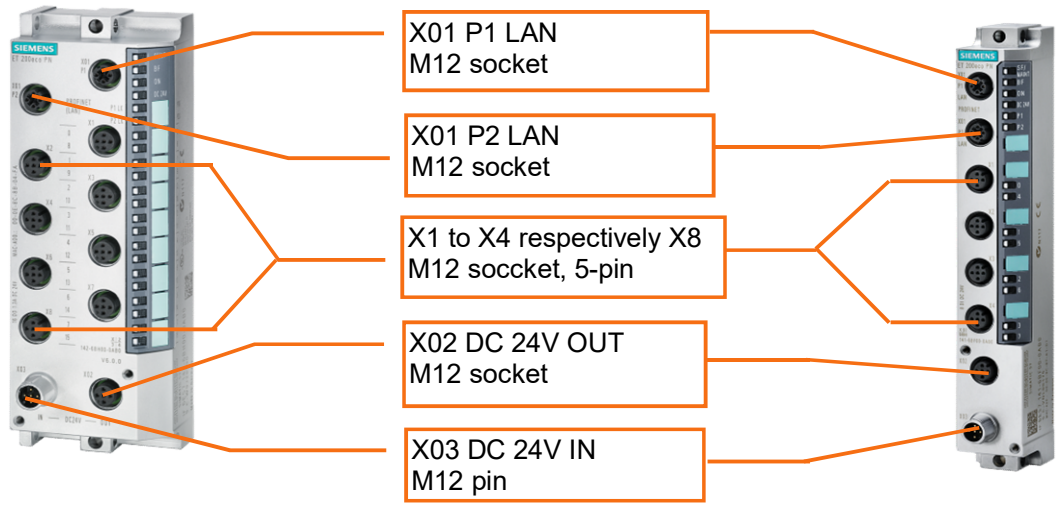


ET 200eco PN

Elektronic modules digital	Article number
8 DI DC 24V; 4 X M12	6ES7141-6BF00-0AB0
8 DI DC 24V; 8 X M12	6ES7141-6BG00-0AB0
16 DI DC 24V; 8 X M12	6ES7141-6BH00-0AB0
8 DO DC 24V/0,5A; 4 X M12	6ES7142-6BF50-0AB0
8 DO DC 24V/1,3A; 4 X M12	6ES7142-6BF00-0AB0
8 DO DC 24V/1,3A; 8 X M12	6ES7142-6BG00-0AB0
8 DO DC 24V/2A; 8 X M12	6ES7142-6BR00-0AB0
16 DO DC 24V/1,3A; 8 X M12	6ES7142-6BH00-0AB0
8 DIO DC 24V/1,3A; 8 X M12	6ES7147-6BG00-0AB0
IO-Link Master, 4IO-L + 8DI + 4DO DC 24V/1,3A; 8 X M12	6ES7148-6JA00-0AB0
IO-Link Master, 4IO-L; 4 X M12	6ES7148-6JD00-0AB0



Interfaces	Article number
X1 P1 LAN (M12 socket)	
non-assembled connectors	
PROFINET M12 connector, d-coded with FastConnect connection method, 180°	
- 1 per pack	6GK1901-0DB20-6AA0
- 8 per pack	6GK1901-0DB20-6AA8
PROFINET M12 connector, d-coded with quick-connect technology, 180°	
- 1 per pack	6GK1901-0DB10-6AA0
- 8 per pack	6GK1901-0DB10-6AA8
PROFINET M12 connector, d-coded, angled	3RK1902-2DA00
non-assembled cables	
PROFINET FC cable	
- FC TP Standard Cable	6XV1840-2AH10
- FC TP Trailing Cable	6XV1840-3AH10

This entry is from the Service&Support portal of Siemens AG, Siemens Industry Online Support.

- FC TP Trailing Cable GP		6XV1870-2D
- FC TP Marine Cable		6XV1840-4AH10
- FC TP Torsion Cable		6XV1870-2F
- FC TP Flexible Cable GP		6XV1870-2B
- FC TP FRNC Cable		6XV1871-2F
- FC TP Food Cable		6XV1871-2L
- FC TP Festoon Cable GP		6XV1871-2S
pre-assembled cables		
PROFINET M12 trailable connecting cable, pre-assembled at both ends with M12 connectors 180° (pin)	0,3 m	6XV1870-8AE30
	0,5 m	6XV1870-8AE50
	1,0 m	6XV1870-8AH10
	1,5 m	6XV1870-8AH15
	2,0 m	6XV1870-8AH20
	3,0 m	6XV1870-8AH30
	5,0 m	6XV1870-8AH50
	10,0 m	6XV1870-8AN10
	15,0 m	6XV1870-8AN15
PROFINET M12 trailable connecting cable, pre-assembled at both ends with M12 connectors, angled (pin)	0,3 m	6XV1870-8GE30
	0,5 m	6XV1870-8GE50
	1,0 m	6XV1870-8GH10
	1,5 m	6XV1870-8GH15
	2,0 m	6XV1870-8GH20
	3,0 m	6XV1870-8GH30
	5,0 m	6XV1870-8GH50
	10,0 m	6XV1870-8GN10
	15,0 m	6XV1870-8GN15
IE FC Robust food cable GP 2x2, with 2 M12 connectors (d-coded)	1,0 m	6XV1881-5AH10
	2,0 m	6XV1881-5AH20
	3,0 m	6XV1881-5AH30
	5,0 m	6XV1881-5AH50
PROFINET M12 trailable connecting cable, pre-assembled at one end with M12 connector, angled (pin), other end open cable	3,0 m	3RK1902-2HB30
	5,0 m	3RK1902-2HB50
	10,0 m	3RK1902-2HC10
PROFINET M12 trailable connecting cable, pre-assembled at one end with M12 connector 180° (pin), other end with RJ45 Plug 145°	2,0 m	6XV1871-5TH20
	3,0 m	6XV1871-5TH30
	5,0 m	6XV1871-5TH50
	10,0 m	6XV1871-5TN10
	15,0 m	6XV1871-5TN15
Miscellaneous		
M12 cover caps		3RX9802-0AA00
M12 cover caps		3RK1901-1KA00
X01 P2 LAN (M12 socket)		
non-assembled connectors		
PROFINET M12 connector, d-coded with FastConnect connection method, 180°		
- 1 per pack		6GK1901-0DB20-6AA0
- 8 per pack		6GK1901-0DB20-6AA8
PROFINET M12 connector, d-coded with quick-connect technology, 180°		
- 1 per pack		6GK1901-0DB10-6AA0
- 8 per pack		6GK1901-0DB10-6AA8
PROFINET M12 connector, d-coded, angled		3RK1902-2DA00

non-assembled cables		
PROFINET FC cable		
- FC TP Standard Cable		6XV1840-2AH10
- FC TP Trailing Cable		6XV1840-3AH10
- FC TP Trailing Cable GP		6XV1870-2D
- FC TP Marine Cable		6XV1840-4AH10
- FC TP Torsion Cable		6XV1870-2F
- FC TP Flexible Cable GP		6XV1870-2B
- FC TP FRNC Cable		6XV1871-2F
- FC TP Food Cable		6XV1871-2L
- FC TP Festoon Cable GP		6XV1871-2S
pre-assembled cables		
PROFINET M12 trailable connecting cable, pre-assembled at both ends with M12 connectors 180° (pin)	0,3 m	6XV1870-8AE30
	0,5 m	6XV1870-8AE50
	1,0 m	6XV1870-8AH10
	1,5 m	6XV1870-8AH15
	2,0 m	6XV1870-8AH20
	3,0 m	6XV1870-8AH30
	5,0 m	6XV1870-8AH50
	10,0 m	6XV1870-8AN10
	15,0 m	6XV1870-8AN15
PROFINET M12 trailable connecting cable, pre-assembled at both ends with M12 connectors, angled (pin)	0,3 m	6XV1870-8GE30
	0,5 m	6XV1870-8GE50
	1,0 m	6XV1870-8GH10
	1,5 m	6XV1870-8GH15
	2,0 m	6XV1870-8GH20
	3,0 m	6XV1870-8GH30
	5,0 m	6XV1870-8GH50
	10,0 m	6XV1870-8GN10
	15,0 m	6XV1870-8GN15
IE FC Robust food cable GP 2x2, with 2 M12 connectors (d-coded)	1,0 m	6XV1881-5AH10
	2,0 m	6XV1881-5AH20
	3,0 m	6XV1881-5AH30
	5,0 m	6XV1881-5AH50
PROFINET M12 trailable connecting cable, pre-assembled at one end with M12 connector, angled (pin), other end open cable	3,0 m	3RK1902-2HB30
	5,0 m	3RK1902-2HB50
	10,0 m	3RK1902-2HC10
PROFINET M12 trailable connecting cable, pre-assembled at one end with M12 connector 180° (pin), other end with RJ45 Plug 145°	2,0 m	6XV1871-5TH20
	3,0 m	6XV1871-5TH30
	5,0 m	6XV1871-5TH50
	10,0 m	6XV1871-5TN10
	15,0 m	6XV1871-5TN15
Miscellaneous		
M12 cover caps		3RX9802-0AA00
M12 cover caps		3RK1901-1KA00

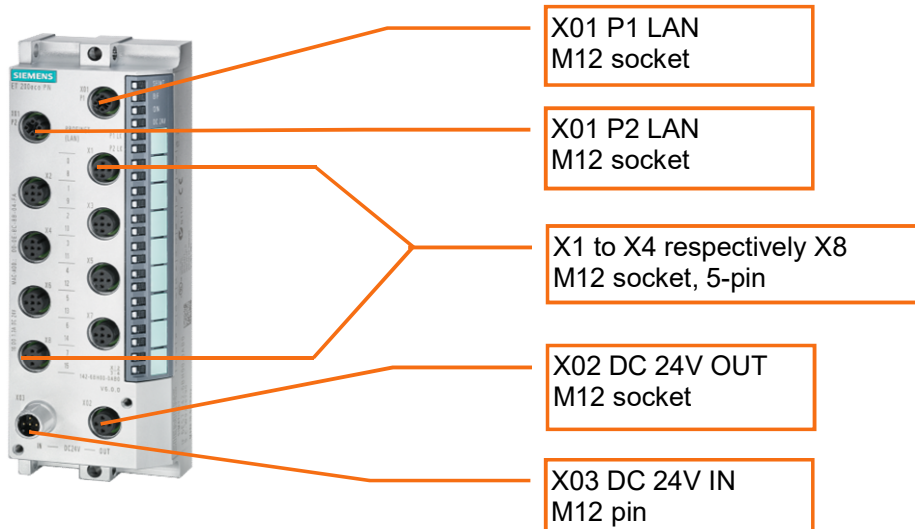
This entry is from the Service&Support portal of Siemens AG,
Siemens Industry Online Support.

X1 to X4 respectively X8 (M12 socket, 5-pin)		
non-assembled connectors		
M12 connector, 5-pin, max. 0,75mm ² , screw terminals		3RK1902-4BA00-5AA0
M12 connector, 5-pin, angled, max. 0,75mm ² , screw terminals		3RK1902-4DA00-5AA0
pre-assembled cables		
M12 connecting cable (PUR sheath), pre-assembled at both ends with socket and plug connector, 3 x 0,34 mm ²	1,5 m	3RK1902-4PB15-3AA0
	5 m	6GT2891-4MH50
	10 m	6GT2891-4MN10
M12 connecting cable (PUR sheath), 5 x 0,34 mm ² , pre-assembled at one end with plug angled (one end plug, one end open cable)	1,5 m	3RK1902-4HB15-5AA0
	5 m	3RK1902-4HB50-5AA0
	10 m	3RK1902-4HC01-5AA0
Miscellaneous		
M12 cover caps		3RX9802-0AA00
M12 cover caps		3RK1901-1KA00
Y cable for dual connection of I/O		6ES7194-6KA00-0XA0
X02 DC 24V OUT (M12 socket)		
non-assembled connectors		
Terminal block, 10A cutter clamps		6ES7194-6CA00-0AA0
Power M12 connector, 4-pin, a-coded, with pin insert		6GK1907-0DB10-6AA3
Power M12 connector angled, 5-pin, a-coded, with pin insert		3RK1902-4DA00-5AA0
pre-assembled cables		
M12 connecting cable for supplying trailable energy cable, 5-pin, both ends with M12 connectors 180° (one end socket, one end pin)	0,3 m	6XV1801-5DE30
	0,5 m	6XV1801-5DE50
	1,0 m	6XV1801-5DH10
	1,5 m	6XV1801-5DH15
	2,0 m	6XV1801-5DH20
	3,0 m	6XV1801-5DH30
	5,0 m	6XV1801-5DH50
	10,0 m	6XV1801-5DN10
	15,0 m	6XV1801-5DN15
Power Connecting Cable M12-90/M12-90 für power supply of ET 200, pre-assembled cable with M12 connector (pin) and M12 connector (socket), a-coded, 4-wire	0,3 m	6XV1801-5GE30
	0,5 m	6XV1801-5GE50
	1,0 m	6XV1801-5GH10
	1,5 m	6XV1801-5GH15
	2,0 m	6XV1801-5GH20
	3,0 m	6XV1801-5GH30
	5,0 m	6XV1801-5GH50
	10,0 m	6XV1801-5GN10
	15,0 m	6XV1801-5GN15
Robus power connecting cable M12-180/M12-180, IP69, to power supply of ET 200, pre-assembled cable with M12 connector, a-coded, 4-pole	1,0 m	6XV1801-5AH10
	2,0 m	6XV1801-5AH20
	3,0 m	6XV1801-5AH30
	5,0 m	6XV1801-5AH50

This entry is from the Service&Support portal of Siemens AG,
Siemens Industry Online Support.

Miscellaneous		
M12 cover caps		3RX9802-0AA00
M12 cover caps		3RK1901-1KA00
X03 DC 24V IN (M12 pin)		
non-assembled connectors		
Terminal block, 10A cutter clamps		6ES7194-6CA00-0AA0
Power M12 connector, 4-pin, a-coded, with socket insert		6GK1907-0DC10-6AA3
Power M12 connector angled, 4-pin, a-coded, with socket insert		3RK1902-4CA00-4AA0
pre-assembled cables		
M12 connecting cable for supplying trailable energy cable, 5-pin, both ends with M12 connectors 180° (one end socket, one end pin)	0,3 m	6XV1801-5DE30
	0,5 m	6XV1801-5DE50
	1,0 m	6XV1801-5DH10
	1,5 m	6XV1801-5DH15
	2,0 m	6XV1801-5DH20
	3,0 m	6XV1801-5DH30
	5,0 m	6XV1801-5DH50
	10,0 m	6XV1801-5DN10
Power Connecting Cable M12-90/M12-90 für power supply of ET 200, pre-assembled cable with M12 connector (pin) and M12 connector (socket), a-coded, 4-wire	15,0 m	6XV1801-5DN15
	0,3 m	6XV1801-5GE30
	0,5 m	6XV1801-5GE50
	1,0 m	6XV1801-5GH10
	1,5 m	6XV1801-5GH15
	2,0 m	6XV1801-5GH20
	3,0 m	6XV1801-5GH30
	5,0 m	6XV1801-5GH50
Robus power connecting cable M12-180/M12-180, IP69, to power supply of ET 200, pre-assembled cable with M12 connector, a-coded, 4-pole	10,0 m	6XV1801-5GN10
	15,0 m	6XV1801-5GN15
	1,0 m	6XV1801-5AH10
	2,0 m	6XV1801-5AH20
	3,0 m	6XV1801-5AH30
	5,0 m	6XV1801-5AH50

Elektronic modules analog	Article number
8 AI 4 U/I + 4 RTD/TC; 8 x M12	6ES7144-6KD00-0AB0
8 AI RTD/TC; 8 x M12	6ES7144-6KD50-0AB0
8 AO U/I; 4 x M12	6ES7145-6HD00-0AB0



Interfaces	Article number
X1 P1 LAN (M12 socket)	
non-assembled connectors	
PROFINET M12 connector, d-coded with FastConnect connection method, 180°	
- 1 per pack	6GK1901-0DB20-6AA0
- 8 per pack	6GK1901-0DB20-6AA8
PROFINET M12 connector, d-coded with quick-connect technology, 180°	
- 1 per pack	6GK1901-0DB10-6AA0
- 8 per pack	6GK1901-0DB10-6AA8
PROFINET M12 connector, d-coded, angled	3RK1902-2DA00
non-assembled cables	
PROFINET FC cable	
- FC TP Standard Cable	6XV1840-2AH10
- FC TP Trailing Cable	6XV1840-3AH10

This entry is from the Service&Support portal of Siemens AG, Siemens Industry Online Support.

- FC TP Trailing Cable GP		6XV1870-2D
- FC TP Marine Cable		6XV1840-4AH10
- FC TP Torsion Cable		6XV1870-2F
- FC TP Flexible Cable GP		6XV1870-2B
- FC TP FRNC Cable		6XV1871-2F
- FC TP Food Cable		6XV1871-2L
- FC TP Festoon Cable GP		6XV1871-2S
pre-assembled cables		
PROFINET M12 trailable connecting cable, pre-assembled at both ends with M12 connectors 180° (pin)	0,3 m	6XV1870-8AE30
	0,5 m	6XV1870-8AE50
	1,0 m	6XV1870-8AH10
	1,5 m	6XV1870-8AH15
	2,0 m	6XV1870-8AH20
	3,0 m	6XV1870-8AH30
	5,0 m	6XV1870-8AH50
	10,0 m	6XV1870-8AN10
PROFINET M12 trailable connecting cable, pre-assembled at both ends with M12 connectors, angled (pin)	0,3 m	6XV1870-8GE30
	0,5 m	6XV1870-8GE50
	1,0 m	6XV1870-8GH10
	1,5 m	6XV1870-8GH15
	2,0 m	6XV1870-8GH20
	3,0 m	6XV1870-8GH30
	5,0 m	6XV1870-8GH50
	10,0 m	6XV1870-8GN10
IE FC Robust food cable GP 2x2, with 2 M12 connectors (d-coded)	1,0 m	6XV1881-5AH10
	2,0 m	6XV1881-5AH20
	3,0 m	6XV1881-5AH30
	5,0 m	6XV1881-5AH50
PROFINET M12 trailable connecting cable, pre-assembled at one end with M12 connector, angled (pin), other end open cable	3,0 m	3RK1902-2HB30
	5,0 m	3RK1902-2HB50
	10,0 m	3RK1902-2HC10
PROFINET M12 trailable connecting cable, pre-assembled at one end with M12 connector 180° (pin), other end with RJ45 Plug 145°	2,0 m	6XV1871-5TH20
	3,0 m	6XV1871-5TH30
	5,0 m	6XV1871-5TH50
	10,0 m	6XV1871-5TN10
	15,0 m	6XV1871-5TN15
Miscellaneous		
M12 cover caps		3RX9802-0AA00
M12 cover caps		3RK1901-1KA00
X01 P2 LAN (M12 socket)		
non-assembled connectors		
PROFINET M12 connector, d-coded with FastConnect connection method, 180°		
- 1 per pack		6GK1901-0DB20-6AA0
- 8 per pack		6GK1901-0DB20-6AA8
PROFINET M12 connector, d-coded with quick-connect technology, 180°		
- 1 per pack		6GK1901-0DB10-6AA0
- 8 per pack		6GK1901-0DB10-6AA8
PROFINET M12 connector, d-coded, angled		3RK1902-2DA00

This entry is from the Service&Support portal of Siemens AG,
Siemens Industry Online Support.

non-assembled cables		
PROFINET FC cable		
- FC TP Standard Cable		6XV1840-2AH10
- FC TP Trailing Cable		6XV1840-3AH10
- FC TP Trailing Cable GP		6XV1870-2D
- FC TP Marine Cable		6XV1840-4AH10
- FC TP Torsion Cable		6XV1870-2F
- FC TP Flexible Cable GP		6XV1870-2B
- FC TP FRNC Cable		6XV1871-2F
- FC TP Food Cable		6XV1871-2L
- FC TP Festoon Cable GP		6XV1871-2S
pre-assembled cables		
PROFINET M12 trailable connecting cable, pre-assembled at both ends with M12 connectors 180° (pin)	0,3 m	6XV1870-8AE30
	0,5 m	6XV1870-8AE50
	1,0 m	6XV1870-8AH10
	1,5 m	6XV1870-8AH15
	2,0 m	6XV1870-8AH20
	3,0 m	6XV1870-8AH30
	5,0 m	6XV1870-8AH50
	10,0 m	6XV1870-8AN10
PROFINET M12 trailable connecting cable, pre-assembled at both ends with M12 connectors, angled (pin)	0,3 m	6XV1870-8GE30
	0,5 m	6XV1870-8GE50
	1,0 m	6XV1870-8GH10
	1,5 m	6XV1870-8GH15
	2,0 m	6XV1870-8GH20
	3,0 m	6XV1870-8GH30
	5,0 m	6XV1870-8GH50
	10,0 m	6XV1870-8GN10
IE FC Robust food cable GP 2x2, with 2 M12 connectors (d-coded)	1,0 m	6XV1881-5AH10
	2,0 m	6XV1881-5AH20
	3,0 m	6XV1881-5AH30
	5,0 m	6XV1881-5AH50
PROFINET M12 trailable connecting cable, pre-assembled at one end with M12 connector, angled (pin), other end open cable	3,0 m	3RK1902-2HB30
	5,0 m	3RK1902-2HB50
	10,0 m	3RK1902-2HC10
PROFINET M12 trailable connecting cable, pre-assembled at one end with M12 connector 180° (pin), other end with RJ45 Plug 145°	2,0 m	6XV1871-5TH20
	3,0 m	6XV1871-5TH30
	5,0 m	6XV1871-5TH50
	10,0 m	6XV1871-5TN10
	15,0 m	6XV1871-5TN15
Miscellaneous		
M12 cover caps		3RX9802-0AA00
M12 cover caps		3RK1901-1KA00

X1 to X4 respectively X8 (M12 socket, 5-pin)		
pre-assembled cables		
M12 connecting cable, shielded		(on request)
Miscellaneous		
M12 cover caps		3RX9802-0AA00
M12 cover caps		3RK1901-1KA00
X02 DC 24V OUT (M12 socket)		
non-assembled connectors		
Terminal block, 10A cutter clamps		6ES7194-6CA00-0AA0
Power M12 connector, 4-pin, a-coded, with pin insert		6GK1907-0DB10-6AA3
Power M12 connector angled, 5-pin, a-coded, with pin insert		3RK1902-4DA00-5AA0
pre-assembled cables		
M12 connecting cable for supplying trailable energy cable, 5-pin, at both ends with M12 connectors 180° (one end socket, one end pin)	0,3 m	6XV1801-5DE30
	0,5 m	6XV1801-5DE50
	1,0 m	6XV1801-5DH10
	1,5 m	6XV1801-5DH15
	2,0 m	6XV1801-5DH20
	3,0 m	6XV1801-5DH30
	5,0 m	6XV1801-5DH50
	10,0 m	6XV1801-5DN10
	15,0 m	6XV1801-5DN15
Power Connecting Cable M12-90/M12-90 für power supply of ET 200, pre-assembled cable with M12 connector (pin) and M12 connector (socket), a-coded, 4-wire	0,3 m	6XV1801-5GE30
	0,5 m	6XV1801-5GE50
	1,0 m	6XV1801-5GH10
	1,5 m	6XV1801-5GH15
	2,0 m	6XV1801-5GH20
	3,0 m	6XV1801-5GH30
	5,0 m	6XV1801-5GH50
	10,0 m	6XV1801-5GN10
15,0 m	6XV1801-5GN15	
Robus power connecting cable M12-180/M12-180, IP69, to power supply of ET 200, pre-assembled cable with M12 connector, a-coded, 4-pole	1,0 m	6XV1801-5AH10
	2,0 m	6XV1801-5AH20
	3,0 m	6XV1801-5AH30
	5,0 m	6XV1801-5AH50
Miscellaneous		
M12 cover caps		3RX9802-0AA00
M12 cover caps		3RK1901-1KA00
X03 DC 24V IN (M12 pin)		
non-assembled connectors		
Terminal block, 10A cutter clamps		6ES7194-6CA00-0AA0
Power M12 connector, 4-pin, a-coded, with socket insert		6GK1907-0DC10-6AA3
Power M12 connector angled, 4-pin, a-coded, with socket insert		3RK1902-4CA00-4AA0
pre-assembled cables		

This entry is from the Service&Support portal of Siemens AG,
Siemens Industry Online Support.

M12 connecting cable for supplying trailable energy cable, 5-pin, at both ends with M12 connectors 180° (one end socket, one end pin)	0,3 m	6XV1801-5DE30
	0,5 m	6XV1801-5DE50
	1,0 m	6XV1801-5DH10
	1,5 m	6XV1801-5DH15
	2,0 m	6XV1801-5DH20
	3,0 m	6XV1801-5DH30
	5,0 m	6XV1801-5DH50
	10,0 m	6XV1801-5DN10
	15,0 m	6XV1801-5DN15
Power Connecting Cable M12-90/M12-90 für power supply of ET 200, pre-assembled cable with M12 connector (pin) and M12 connector (socket), a-coded, 4-wire	0,3 m	6XV1801-5GE30
	0,5 m	6XV1801-5GE50
	1,0 m	6XV1801-5GH10
	1,5 m	6XV1801-5GH15
	2,0 m	6XV1801-5GH20
	3,0 m	6XV1801-5GH30
	5,0 m	6XV1801-5GH50
	10,0 m	6XV1801-5GN10
15,0 m	6XV1801-5GN15	
Robus power connecting cable M12-180/M12-180, IP69, to power supply of ET 200, pre-assembled cable with M12 connector, a-coded, 4-pole	1,0 m	6XV1801-5AH10
	2,0 m	6XV1801-5AH20
	3,0 m	6XV1801-5AH30
	5,0 m	6XV1801-5AH50

- FC TP Trailing Cable GP		6XV1870-2D
- FC TP Marine Cable		6XV1840-4AH10
- FC TP Torsion Cable		6XV1870-2F
- FC TP Flexible Cable GP		6XV1870-2B
- FC TP FRNC Cable		6XV1871-2F
- FC TP Food Cable		6XV1871-2L
- FC TP Festoon Cable GP		6XV1871-2S
pre-assembled cables		
PROFINET M12 trailable connecting cable, pre-assembled at both ends with M12 connectors 180° (pin)	0,3 m	6XV1870-8AE30
	0,5 m	6XV1870-8AE50
	1,0 m	6XV1870-8AH10
	1,5 m	6XV1870-8AH15
	2,0 m	6XV1870-8AH20
	3,0 m	6XV1870-8AH30
	5,0 m	6XV1870-8AH50
	10,0 m	6XV1870-8AN10
	15,0 m	6XV1870-8AN15
PROFINET M12 trailable connecting cable, pre-assembled at both ends with M12 connectors, angled (pin)	0,3 m	6XV1870-8GE30
	0,5 m	6XV1870-8GE50
	1,0 m	6XV1870-8GH10
	1,5 m	6XV1870-8GH15
	2,0 m	6XV1870-8GH20
	3,0 m	6XV1870-8GH30
	5,0 m	6XV1870-8GH50
	10,0 m	6XV1870-8GN10
	15,0 m	6XV1870-8GN15
IE FC Robust food cable GP 2x2, with 2 M12 connectors (d-coded)	1,0 m	6XV1881-5AH10
	2,0 m	6XV1881-5AH20
	3,0 m	6XV1881-5AH30
	5,0 m	6XV1881-5AH50
PROFINET M12 trailable connecting cable, pre-assembled at one end with M12 connector, angled (pin), other end open cable	3,0 m	3RK1902-2HB30
	5,0 m	3RK1902-2HB50
	10,0 m	3RK1902-2HC10
PROFINET M12 trailable connecting cable, pre-assembled at one end with M12 connector 180° (pin), other end with RJ45 Plug 145°	2,0 m	6XV1871-5TH20
	3,0 m	6XV1871-5TH30
	5,0 m	6XV1871-5TH50
	10,0 m	6XV1871-5TN10
	15,0 m	6XV1871-5TN15
Miscellaneous		
M12 cover caps		3RX9802-0AA00
M12 cover caps		3RK1901-1KA00
X01 P2R LAN (M12 socket)		
non-assembled connectors		
PROFINET M12 connector, d-coded with FastConnect connection method, 180°		
- 1 per pack		6GK1901-0DB20-6AA0
- 8 per pack		6GK1901-0DB20-6AA8
PROFINET M12 connector, d-coded with quick-connect technology, 180°		
- 1 per pack		6GK1901-0DB10-6AA0
- 8 per pack		6GK1901-0DB10-6AA8
PROFINET M12 connector, d-coded, angled		3RK1902-2DA00

non-assembled cables		
PROFINET FC cable		
- FC TP Standard Cable		6XV1840-2AH10
- FC TP Trailing Cable		6XV1840-3AH10
- FC TP Trailing Cable GP		6XV1870-2D
- FC TP Marine Cable		6XV1840-4AH10
- FC TP Torsion Cable		6XV1870-2F
- FC TP Flexible Cable GP		6XV1870-2B
- FC TP FRNC Cable		6XV1871-2F
- FC TP Food Cable		6XV1871-2L
- FC TP Festoon Cable GP		6XV1871-2S
pre-assembled cables		
PROFINET M12 trailable connecting cable, pre-assembled at both ends with M12 connectors 180° (pin)	0,3 m	6XV1870-8AE30
	0,5 m	6XV1870-8AE50
	1,0 m	6XV1870-8AH10
	1,5 m	6XV1870-8AH15
	2,0 m	6XV1870-8AH20
	3,0 m	6XV1870-8AH30
	5,0 m	6XV1870-8AH50
	10,0 m	6XV1870-8AN10
	15,0 m	6XV1870-8AN15
PROFINET M12 trailable connecting cable, pre-assembled at both ends with M12 connectors, angled (pin)	0,3 m	6XV1870-8GE30
	0,5 m	6XV1870-8GE50
	1,0 m	6XV1870-8GH10
	1,5 m	6XV1870-8GH15
	2,0 m	6XV1870-8GH20
	3,0 m	6XV1870-8GH30
	5,0 m	6XV1870-8GH50
	10,0 m	6XV1870-8GN10
	15,0 m	6XV1870-8GN15
IE FC Robust food cable GP 2x2, with 2 M12 connectors (d-coded)	1,0 m	6XV1881-5AH10
	2,0 m	6XV1881-5AH20
	3,0 m	6XV1881-5AH30
	5,0 m	6XV1881-5AH50
PROFINET M12 trailable connecting cable, pre-assembled at one end with M12 connector, angled (pin), other end open cable	3,0 m	3RK1902-2HB30
	5,0 m	3RK1902-2HB50
	10,0 m	3RK1902-2HC10
PROFINET M12 trailable connecting cable, pre-assembled at one end with M12 connector 180° (pin), other end with RJ45 Plug 145°	2,0 m	6XV1871-5TH20
	3,0 m	6XV1871-5TH30
	5,0 m	6XV1871-5TH50
	10,0 m	6XV1871-5TN10
	15,0 m	6XV1871-5TN15
Miscellaneous		
M12 cover caps		3RX9802-0AA00
M12 cover caps		3RK1901-1KA00

This entry is from the Service&Support portal of Siemens AG,
Siemens Industry Online Support.

X40 REINT		
E coding plug		6ES7194-6KB00-0AA0
X1 to X7 (M12 socket, 5-pin)		
Non-assembled connectors		
M12 connector, 5-pin, max. 0,75mm ² screw terminals		3RK1 902-4BA00-5AA0
M12 connector angled, 5-pin, max. 0,75mm ² screw terminals		3RK1 902-4DA00-5AA0
Pre-assembled cables		
M12 connecting cable (PUR sheath), pre-assembled at both ends with socket and plug connector, 3 x 0,34 mm ²	1,5 m	3RK1 902-4PB15-3AA0
	5 m	6GT2 891-4MH50
	10 m	6GT2 891-4MN10
M12 connecting cable (PUR sheath), 5 x 0,34 mm ² , pre-assembled at one end with plug angled (one end plug, one end open cable)	1,5 m	3RK1 902-4HB15-5AA0
	5 m	3RK1 902-4HB50-5AA0
	10 m	3RK1 902-4HC01-5AA0
Connecting cable M12 socket (5-pole) and M12 plug (5-pole)	1 m	3SX5601-3SV15
Connecting cable M12 socket (8-pole) and M12 plug (8-pole) ¹⁾	1 m	3SX5601-3SV18
Adapter cable for RFID safety switch, M12 socket (8-pole) and M12 connector (5-pole) ¹⁾	0,5 m	3SX5601-3SV00-1AK3
miscellaneous		
M12 cover caps		3RX9 802-0AA00
M12 cover caps		3RK1901-1KA00
Y cable, for fail-safe distributed I/O ET 200, IP 65/67, for connection of single channel sensors (1 to1 evaluation) 5-pin M12, 200mm		6ES7194-6KB00-0XA0
Y cable, for fail-safe distributed I/O ET 200, IP 65/67, for connection of 1xF-DI and 1xF-DQ or 2xF-DI with one cable, 8-pin M12, 200mm		6ES7194-6KC00-0XA0
X02 DC 24V OUT (M12 socket)		
non-assembled connectors		
Terminal block, 10A cutter clamps		6ES7194-6CA00-0AA0
Power M12 connector, 4-pin, a-coded, with pin insert		6GK1907-0DB10-6AA3
Power M12 connector angled, 5-pin, a-coded, with pin insert		3RK1902-4DA00-5AA0
pre-assembled cables		
M12 connecting cable for supplying trailable energy cable, 5-pin, at both ends with M12 connectors 180° (one end socket, one end pin)	0,3 m	6XV1801-5DE30
	0,5 m	6XV1801-5DE50
	1,0 m	6XV1801-5DH10
	1,5 m	6XV1801-5DH15
	2,0 m	6XV1801-5DH20
	3,0 m	6XV1801-5DH30
	5,0 m	6XV1801-5DH50
	10,0 m	6XV1801-5DN10
	15,0 m	6XV1801-5DN15
Power Connecting Cable M12-90/M12-90 für power supply of ET 200, pre-assembled cable with M12 connector (pin) and M12 connector (socket), a-coded, 4-wire	0,3 m	6XV1801-5GE30
	0,5 m	6XV1801-5GE50
	1,0 m	6XV1801-5GH10
	1,5 m	6XV1801-5GH15
	2,0 m	6XV1801-5GH20
	3,0 m	6XV1801-5GH30
	5,0 m	6XV1801-5GH50

This entry is from the Service&Support portal of Siemens AG,
Siemens Industry Online Support.

	10,0 m	6XV1801-5GN10
	15,0 m	6XV1801-5GN15
Robus power connecting cable M12-180/M12-180, IP69, to power supply of ET 200, pre-assembled cable with M12 connector, a-coded, 4-pole	1,0 m	6XV1801-5AH10
	2,0 m	6XV1801-5AH20
	3,0 m	6XV1801-5AH30
	5,0 m	6XV1801-5AH50
Miscellaneous		
M12 cover caps		3RX9802-0AA00
M12 cover caps		3RK1901-1KA00
X03 DC 24V IN (M12 pin)		
non-assembled connectors		
Terminal block, 10A cutter clamps		6ES7194-6CA00-0AA0
Power M12 connector, 4-pin, a-coded, with socket insert		6GK1907-0DC10-6AA3
Power M12 connector angled, 4-pin, a-coded, with socket insert		3RK1902-4CA00-4AA0
pre-assembled cables		
M12 connecting cable for supplying trailable energy cable, 5-pin, at both ends with M12 connectors 180° (one end socket, one end pin)	0,3 m	6XV1801-5DE30
	0,5 m	6XV1801-5DE50
	1,0 m	6XV1801-5DH10
	1,5 m	6XV1801-5DH15
	2,0 m	6XV1801-5DH20
	3,0 m	6XV1801-5DH30
	5,0 m	6XV1801-5DH50
	10,0 m	6XV1801-5DN10
	15,0 m	6XV1801-5DN15
	Power Connecting Cable M12-90/M12-90 für power supply of ET 200, pre-assembled cable with M12 connector (pin) and M12 connector (socket), a-coded, 4-wire	0,3 m
0,5 m		6XV1801-5GE50
1,0 m		6XV1801-5GH10
1,5 m		6XV1801-5GH15
2,0 m		6XV1801-5GH20
3,0 m		6XV1801-5GH30
5,0 m		6XV1801-5GH50
10,0 m		6XV1801-5GN10
15,0 m		6XV1801-5GN15
Robus power connecting cable M12-180/M12-180, IP69, to power supply of ET 200, pre-assembled cable with M12 connector, a-coded, 4-pole		1,0 m
	2,0 m	6XV1801-5AH20
	3,0 m	6XV1801-5AH30
	5,0 m	6XV1801-5AH50

Power Connecting Cable M12-90/M12-90 für power supply of ET 200, pre-assembled cable with M12 connector (pin) and M12 connector (socket), a-coded, 4-wire	0,3 m	6XV1801-5GE30
	0,5 m	6XV1801-5GE50
	1,0 m	6XV1801-5GH10
	1,5 m	6XV1801-5GH15
	2,0 m	6XV1801-5GH20
	3,0 m	6XV1801-5GH30
	5,0 m	6XV1801-5GH50
	10,0 m	6XV1801-5GN10
	15,0 m	6XV1801-5GN15
Robus power connecting cable M12-180/M12-180, IP69, to power supply of ET 200, pre-assembled cable with M12 connector, a-coded, 4-pin	1,0 m	6XV1801-5AH10
	2,0 m	6XV1801-5AH20
	3,0 m	6XV1801-5AH30
	5,0 m	6XV1801-5AH50
Miscellaneous		
M12 cover caps		3RX9 802-0AA00
M12 cover caps		3RK1901-1KA00
X05 DC 24V IN 7/8" (pin, 5-pin)		
non-assembled connectors		
7/8" plug-in connector 180° with socket insert		6GK1905-0FB00
7/8" plug-in connector angled with socket insert		3RK1902-3DA00
non-assembled cables		
Energy Cable, trailable, 5 x 1,5 mm ²		6XV1830-8AH10
pre-assembled cables		
7/8" connecting cable for supplying trailable energy cable, 5 x 1,5 mm ² , at both ends with 7/8" connectors 180° (one end socket, one end pin)	0,3 m	6XV1822-5BE30
	0,5 m	6XV1822-5BE50
	1,0 m	6XV1822-5BH10
	1,5 m	6XV1822-5BH15
	2,0 m	6XV1822-5BH20
	3,0 m	6XV1822-5BH30
	5,0 m	6XV1822-5BH50
	10,0 m	6XV1822-5BN10
	15,0 m	6XV1822-5BN15
7/8" connecting cable for supplying trailable energy cable, 5 x 1,5 mm ² , at both ends with 7/8" connectors angled (one end socket, one end pin)	1,5 m	6XV1822-5BH15-0SB0 ¹⁾
	2,0 m	6XV1822-5BH20-0SB0 ¹⁾
	3,0 m	3RK1902-3NB30
	5,0 m	3RK1902-3NB50
	10,0 m	3RK1902-3NC10
	15,0 m	6XV1822-5BN15-0SB0 ¹⁾
7/8" connecting cable for supplying trailable energy cable, 5 x 1,5 mm ² , one end with 7/8" connector angled (one end socket, one end open cable)	3,0 m	3RK1902-3GB30
	5,0 m	3RK1902-3GB50
	10,0 m	3RK1902-3GC10

¹⁾ Ordering with ORG-ID: 10001539

This entry is from the Service&Support portal of Siemens AG,
Siemens Industry Online Support.