

foot individually, plastic, for pipe mounting, accessory for signaling columns, with diameter 70 mm



General technical data

Product brand name	SIRIUS
Product designation	Foot for mounting on pipes
Color	black
Mounting type	floor mounting
Reference code	
• acc. to DIN EN 61346-2	U
• acc. to DIN EN 81346-2	U

Ambient conditions

Ambient temperature during operation	-20 ... +50 °C
Height	37 mm
Width	70 mm

Certificates/approvals

General Product Approval

EMC

Shipping Approval



other

[Confirmation](#)

Further information

Information- and Downloadcenter (Catalogs, Brochures,...)

<http://www.siemens.com/industrial-controls/catalogs>

Industry Mall (Online ordering system)

<https://mall.industry.siemens.com/mall/en/en/Catalog/product?mfb=8WD4308-0DB>

Cax online generator

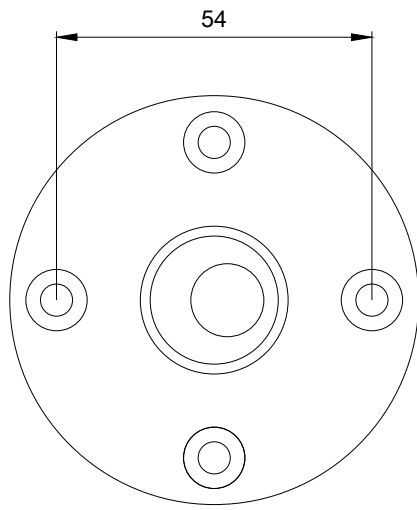
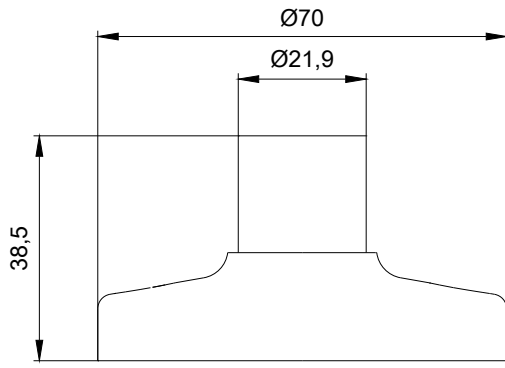
<http://support.automation.siemens.com/WW/CAXorder/default.aspx?lang=en&mfb=8WD4308-0DB>

Service&Support (Manuals, Certificates, Characteristics, FAQs,...)

<https://support.industry.siemens.com/cs/ww/en/ps/8WD4308-0DB>

Image database (product images, 2D dimension drawings, 3D models, device circuit diagrams, EPLAN macros, ...)

http://www.automation.siemens.com/bilddb/cax_de.aspx?mfb=8WD4308-0DB&lang=en



last modified:

07/10/2018

W9.4444; 8WD4308-0DB
W7.1389;