

## Furniture and Work Surface Boxes

### Pre-Wired Series

### Table Top Boxes

#### Features

- Simple push-down method for opening and closing
- 15A, 125V duplex receptacle with two USB charging ports
- 5A-5V USB charging output

#### Ordering Information

Description	Finish	UPC Number	Catalog Number
PreWired 2X2 Work Surface Pop-Up Box	Brushed Aluminum	783585590158	WSBUSB2X2AC5ALU

#### Listings

cULus listed to UL962A

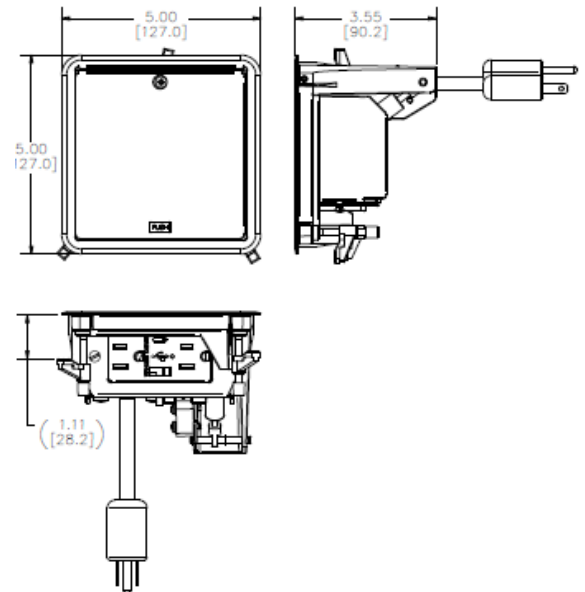
#### Specifications

Cover & Flange	Cast Aluminum
Cover Operation	Gas-spring action
Face Plate	Stainless Steel
Molded Cord	5' pre-wired, 12 gauge, 3 wire electrical cord

#### Online Resources

eCatalog  
Installation Instructions

# HUBBELL



Dimensions in Inches (mm)

Hubbell Wiring Device-Kellems • Hubbell Incorporated (Delaware) • 40 Waterview Drive • Shelton, CT 06484

Phone (800) 288-6000 • Fax (800) 255-1031 • Specifications subject to change without notice.

