

AV In-Wall Enclosure

15A, 125V

Recessed TR Duplex Receptacle

HUBBELL

Features

- Tamper-Resistant (TR) duplex
- Easily mounts to a one gang box
- Back and side wiring

Ordering Information

Description	Device Color	UPC	Catalog Number
Smooth face, back and side wired.	White	88377830572	RR1510W

Listings

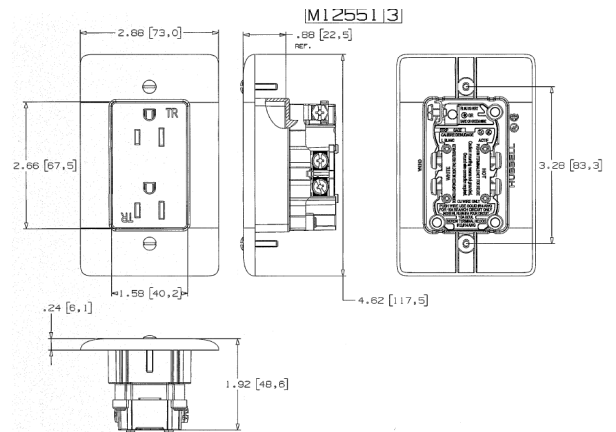
UL Listed to UL 498
CSA Certified 22.2, No. 42

Specifications

Face	Nylon
Base	PVC
Power Contacts	.030 in. (.8mm) Brass
Ground Contacts	.014 in. (.35mm) Brass
Terminal Screws	Plated Steel
Automatic Self-grounding Staple	Stainless steel
Mounting Screws	Zinc Plated Steel

Performance

Electrical	
Current Interrupting	Certified for current interrupting at full rated current
Dielectric Voltage	Withstands 1,500V minimum
Mechanical	
Product Identification	Ratings are a permanent part of the device
Terminal Accommodation	#14-12 AWG stranded or solid copper conductor only
Terminal Identification	Terminals identified in accordance with UL 498 and CSA
Environmental	
Flammability	UL 94 V-2
Operating Temperatures	Maximum continuous 75°C; minimum -40°C (w/o impact)



Online Resources

[Customer Use Drawing](#)
[eCatalog](#)
[Installation Instructions](#)

Dimensions in Inches (mm)

Hubbell Wiring Device-Kellems • Hubbell Incorporated (Delaware) • 40 Waterview Drive • Shelton, CT 06484

Phone (800) 288-6000 • Fax (800) 255-1031 • Specifications subject to change without notice.

