

Floor Boxes

SystemOne Recessed 2 Gang Floor Box Cover

For Use In Concrete, Raised Access and Wood Floors

HUBBELL

Features

- 180 degree cover opening to lay flat and reduce tripping hazards
- Two large cable egress doors
- Die cast aluminum cover construction for enhanced durability
- ADA Compliant

Ordering Information

- Compatible with CFB2G25R, CFB2G25RCR, CFB2G30R & CFB2G30RCR
- Surface style typical applications: Carpet, VCT

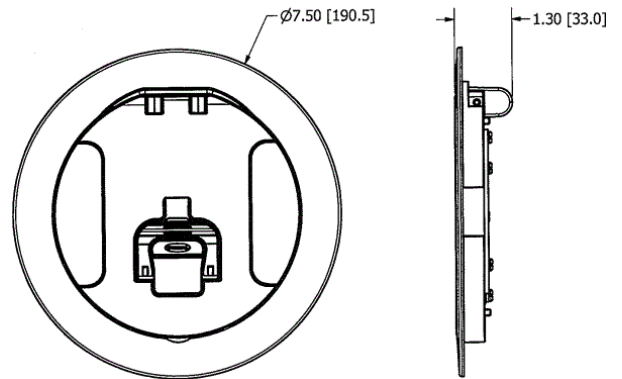
Catalog Number	UPC Number	Style	Finish
CFBS1R6CVRBLK	783585527826	Surface	Black Powder Coat

Dimensions
7.5 in Diameter

Floor Finish Insert
No

Specifications

Cover Material	Aluminum
Flange height	0.125 in.
Adjustment Range	n.a.
Load Rating	1000 lbs. (w/ 2x safety factor)



Online Resources

[Customer Use Drawing](#)
[eCatalog](#)
[Installation Instructions](#)

Dimensions in Inches (mm)

Hubbell Wiring Device-Kellems • Hubbell Incorporated (Delaware) • 40 Waterview Drive • Shelton, CT 06484

Phone (800) 288-6000 • Fax (800) 255-1031 • Specifications subject to change without notice.

