

Wallplates
 Weatherproof Covers for Duplex, GFCI,
 Surge Receptacles and Style Line® Devices

HUBBELL



Ordering Information

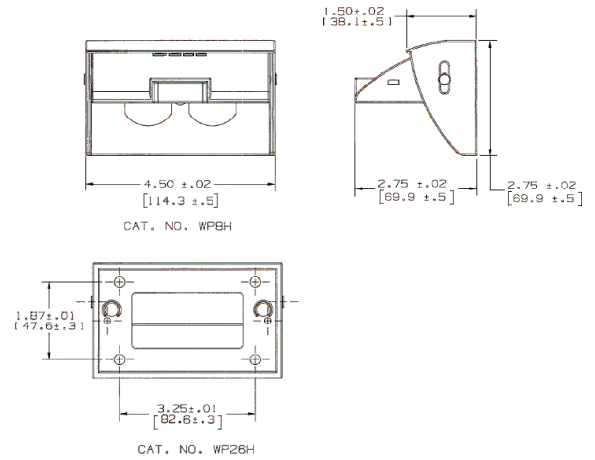
Description	Catalog Number	UPC
Commercial grade, horizontal position, device mounting	WP26H	783585186757

Listings

UL Listed
 CSA Certified

Specifications

Material	Aluminum
Gasket	Foam
Mounting Screws	Zinc plated steel



Online Resources

Customer Use Drawing
 eCatalog

Dimensions in Inches (mm)

Hubbell Wiring Device-Kellems • Hubbell Incorporated (Delaware) • 40 Waterview Drive • Shelton, CT 06484

Phone (800) 288-6000 • Fax (800) 255-1031 • Specifications subject to change without notice.

