

**Floor Boxes**  
**Residential Delivery Systems**  
**Flush Floor Boxes for Wooden Floors**

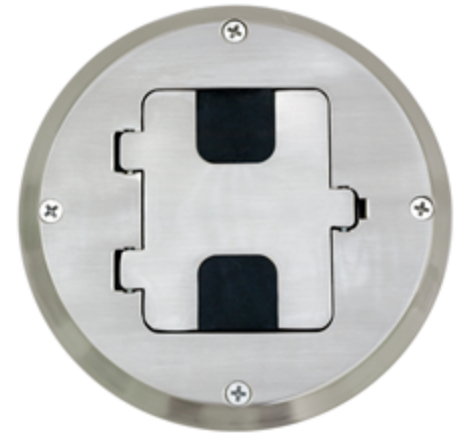


**Features**

- Pre-assembled flange and cover for fast installation
- Top screw fastening and side joist mounting provided
- Height accessible adjustments after the box is mounted

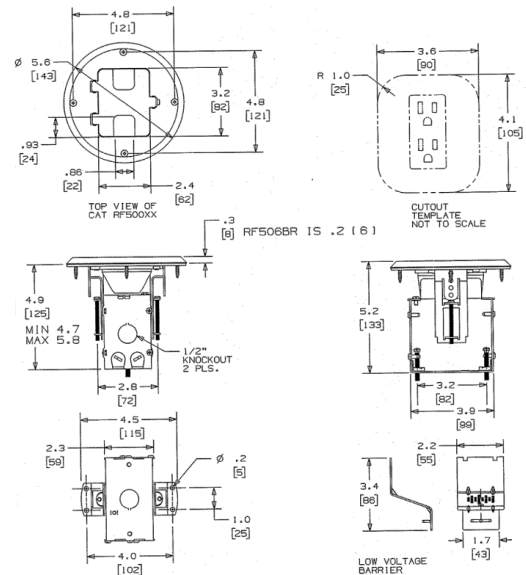
**Ordering Information**

Description	Finish	UPC	Catalog Number
Decorator duplex	Nickel Plated	883778300257	RF515NI



**Specifications**

Material	Nickel Plated
----------	---------------



**Online Resources**

- Customer Use Drawing
- eCatalog
- Installation Instructions

Dimensions in Inches (mm)

Hubbell Wiring Device-Kellems • Hubbell Incorporated (Delaware) • 40 Waterview Drive • Shelton, CT 06484

Phone (800) 288-6000 • Fax (800) 255-1031 • Specifications subject to change without notice.

