

**Raceway
Metal Raceway
Blank Round Cover**

HUBBELL

Features

- For use with HBL500, HBL700 and HBL750 Series Raceway
- For use with HBL5735IVA, HBL5737IVA/ WA, HBL5737AIVA/WA, HBL5739AIVA, HBL5738IVA/WA, HBL5738AIVA/WA and HBL5739IVA/WA.
- Has ½ in. trade size KO in center.

Ordering Information

Description	Color	UPC Number	Catalog Number
Blank Round Cover	Ivory	783585216928	HBL5736IV

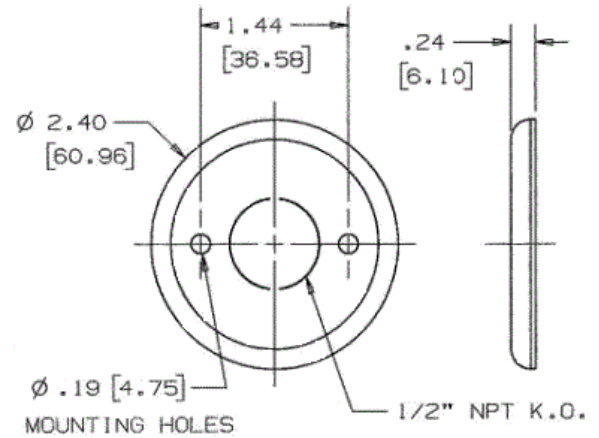


Listings

UL Listed
CSA Certified

Specifications

Height	4.19"
Width	4.19"
Length	0.38"



Online Resources

Customer Use Drawing
eCatalog
Installation Instructions

Dimensions in Inches (mm)

Hubbell Wiring Device-Kellems • Hubbell Incorporated (Delaware) • 40 Waterview Drive • Shelton, CT 06484

Phone (800) 288-6000 • Fax (800) 255-1031 • Specifications subject to change without notice.

