

Switches
15A 120/277V AC
 Single Pole Decorator Quiet Rocker Switches

HUBBELL

Features

- Smooth, quiet rocker
- Self-grounding feature is standard
- Ultrasonically welded cover and base

Ordering Information

Description	Device Color	UPC	Catalog Number
Rocker Switch, General Purpose AC, Three Way, Single Pole, 15A 120/277V AC Push Back and Side Wired	White	883778101250	RSD315W

Listings

CSA Certified
 Listed to UL Standard 20



Performance

Electrical

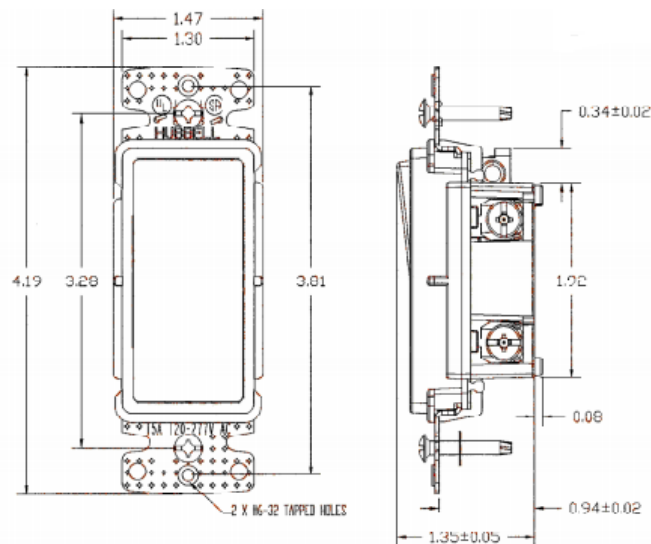
Dielectric Voltage	Withstands 1,500V AC minimum for 1 minute
Endurance	30,000 cycles minimum
Max. Working Voltage	120/277V
Overload	4.8 times rated current

Environmental

Weatherproof	3R Rated
Flammability	UL V2
Operating Temperatures	Maximum continuous 75°C minimum -40°C (without impact)

Mechanical

Terminal Accommodation	Back and side wire: #14 AWG min. - #10 AWG max. solid and stranded copper wire only
------------------------	---



Dimensions in Inches (mm)

Hubbell Wiring Device-Kellems • Hubbell Incorporated (Delaware) • 40 Waterview Drive • Shelton, CT 06484

Phone (800) 288-6000 • Fax (800) 255-1031 • Specifications subject to change without notice.

