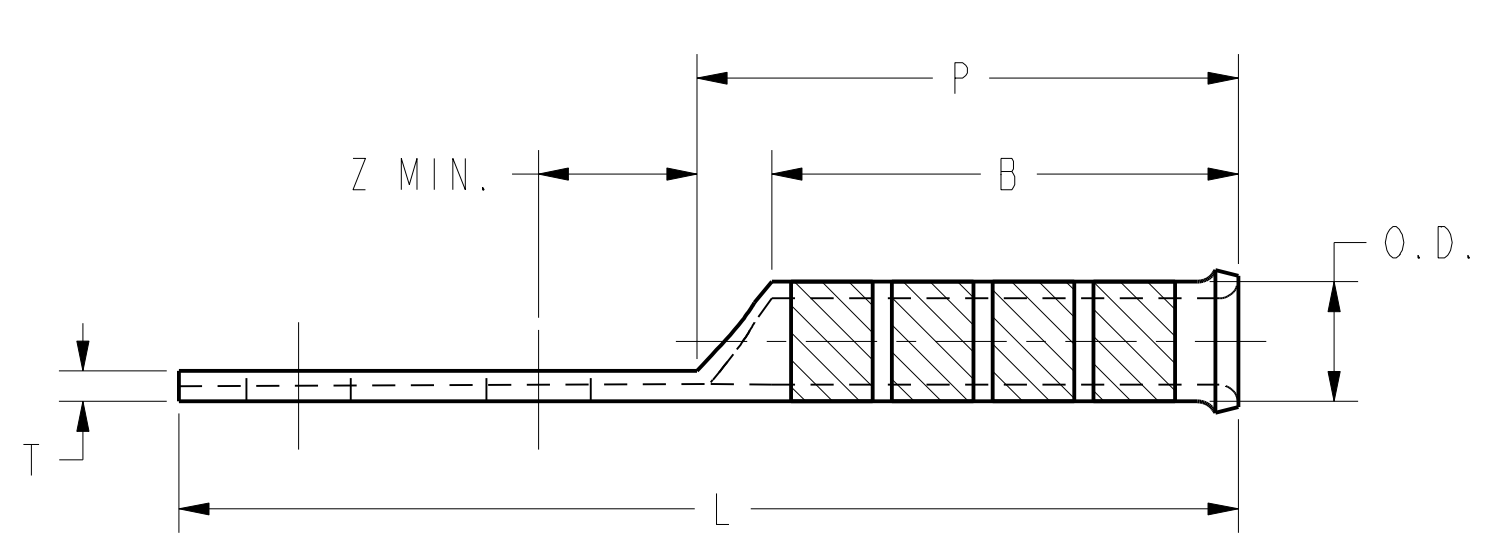
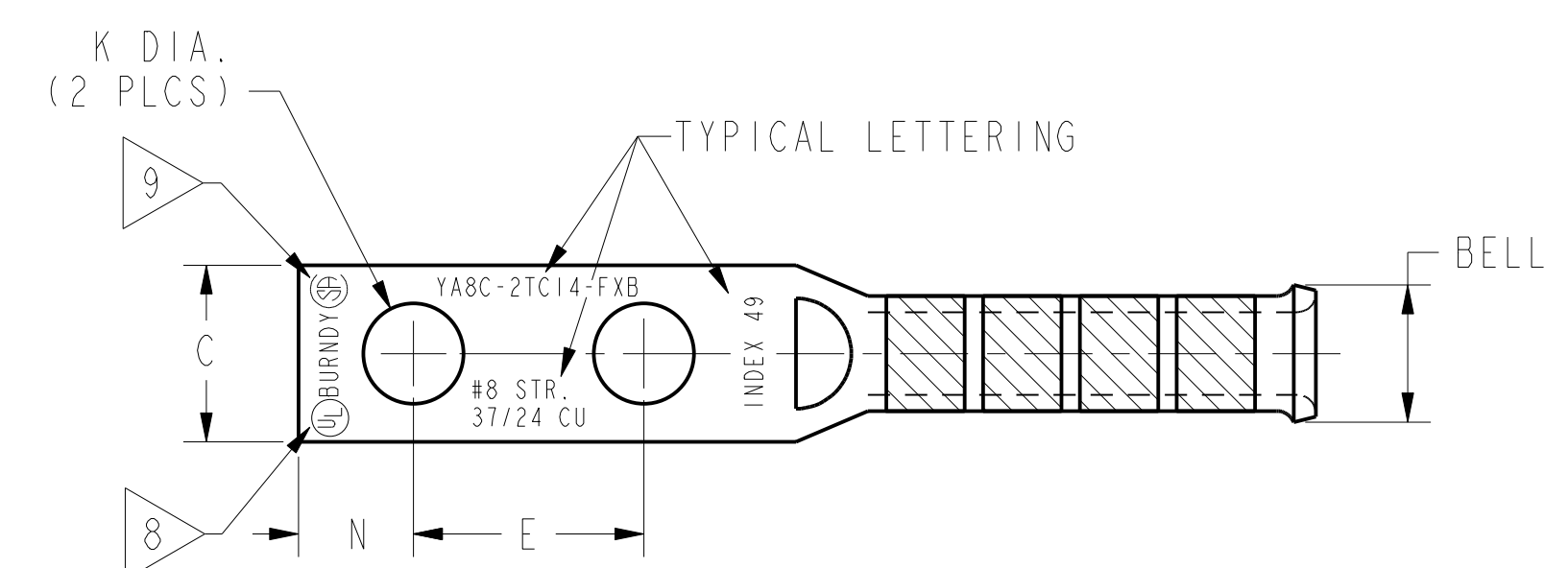


REV	DATE	DESCRIPTION	ECO	BY	C'H'K.
J	2017-10-06 00:00:00 EDT	ADD YA442NTC58FXB TO SALES DRAWING SE...208074-01.	47796	BM	MB

CATALOG NUMBER	ACCOMMODATES FLEXIBLE CABLE CODE AWG	STUD SIZE	DIMENSIONS													CABLE STRIP LENGTH	INSTALLATION TOOLING				
			B	C	C TOL.	E	K DIA.	L	N	P	T	Z MIN.	BELL	O. D.	DIELESS TOOLS		3 Y35, Y39, Y750, Y46				
															MECHANICAL HYTOOL™ (CRIMPS)		HYDRAULIC HYPRESS™	DIE INDEX	COLOR CODE	DIE NUMBER (# OF CRIMPS)	
YA8C2TC14FXB	#8 STR. (37/24) #8 AWG	1/4	.90 [23]	.44 [11]	±.04 [±1]	.62 [16]	.27 [7]	2.41 [61]	.31 [8]	1.06 [27]	.08 [2]	.33 [8]	.32 [8]	.27 [7]	1" [25]	MY29-3 (2) MY29-11 (2)	----	49	RED	U8CRT (2 CRIMPS)	
YA8C2TC14E2FXB	#8 STR. (37/24) #8 AWG	1/4	.90 [23]	.44 [11]	±.04 [±1]	.75 [19]	.27 [7]	2.54 [65]	.31 [8]	1.06 [27]	.08 [2]	.33 [8]	.32 [8]	.27 [7]	1" [25]	MY29-3 (2) MY29-11 (2)	----	49	RED	U8CRT (2 CRIMPS)	
YA8C2TC38FXB	#8 STR. (37/24) #8 AWG	3/8	.90 [23]	.58 [15]	±.05 [±1]	1.00 [25]	.40 [10]	2.98 [76]	.41 [10]	1.06 [27]	.06 [2]	.42 [11]	.32 [8]	.27 [7]	1" [25]	MY29-3 (2) MY29-11 (2)	----	49	RED	U8CRT (2 CRIMPS)	
---	----	---	---	---	---	---	---	---	---	---	---	---	---	---	---	---	----	---	---	----	
YAV6C2TC14FXB	#6 STR. (61/24) #6 AWG	1/4	1.22 [31]	.48 [12]	±.04 [±1]	.62 [16]	.27 [7]	2.76 [70]	.31 [8]	1.41 [36]	.08 [2]	.33 [8]	.37 [9]	.31 [8]	1-5/16" [33]	MY29-3 (2) MY29-11 (2)	Y644M (1 CRIMP)	7	BLUE	U5CRT (2 CRIMPS)	
YAV6C2TC14E2FXB	#6 STR. (61/24) #6 AWG	1/4	1.22 [31]	.48 [12]	±.04 [±1]	.75 [19]	.27 [7]	2.88 [73]	.31 [8]	1.41 [36]	.08 [2]	.33 [8]	.37 [9]	.31 [8]	1-5/16" [33]	MY29-3 (2) MY29-11 (2)	Y644M (1 CRIMP)	7	BLUE	U5CRT (2 CRIMPS)	
YAV6C2TC38FXB	#6 STR. (61/24) #6 AWG	3/8	1.22 [31]	.58 [15]	±.05 [±1]	1.00 [25]	.40 [10]	3.32 [84]	.41 [10]	1.41 [36]	.06 [2]	.42 [11]	.37 [9]	.31 [8]	1-5/16" [33]	MY29-3 (2) MY29-11 (2)	Y644M (1 CRIMP)	7	BLUE	U5CRT (2 CRIMPS)	
YAV6C2NFXB	#6 STR. (61/24) #6 AWG	1/2	1.22 [31]	.83 [21]	±.04 [±1]	1.75 [44]	.56 [14]	4.51 [115]	.62 [16]	1.41 [36]	.12 [3]	.64 [16]	.37 [9]	.31 [8]	1-5/16" [33]	MY29-3 (2) MY29-11 (2)	Y644M (1 CRIMP)	7	BLUE	U5CRT (2 CRIMPS)	
YAV6C2TC14E1FXB	#6 STR. (61/24) #6 AWG	1/4	1.22 [31]	.48 [12]	±.04 [±1]	1.00 [25]	.27 [7]	3.14 [80]	.31 [8]	1.41 [36]	.08 [2]	.33 [8]	.37 [9]	.31 [8]	1-5/16" [33]	MY29-3 (2) MY29-11 (2)	Y644M (1 CRIMP)	7	BLUE	U5CRT (2 CRIMPS)	
YA5C2TC14FXB	#5 STR. (91/24) #5 AWG	1/4	1.22 [31]	.44 [11]	±.03 [±1]	.62 [16]	.27 [7]	2.76 [70]	.31 [8]	1.41 [36]	.07 [2]	.33 [8]	.35 [9]	.31 [8]	1-5/16" [33]	MY29-3 (2) MY29-11 (2)	Y644M (1 CRIMP)	7	BLUE	U5CRT (2 CRIMPS)	

CONNECTOR RANGE		TOLERANCES						
FROM	TO	B	E	K	L	N	P	BELL
#8 STR. (37/24) #8 AWG	1/0 STR. (275/24) 1/0 AWG	±.06	±.02	±.02	±.09	±.03	±.06	±.06
2/0 STR. (325/24) 2/0 AWG	373.3 kcmil (925/24) 350 kcmil NOM.	±.08	±.02	±.02	±.12	±.03	±.06	±.06
444.4 kcmil (1100/24) 450 kcmil NOM.	1111 kcmil (2750/24) 1000 kcmil NOM.	±.09	±.02	±.02	±.15	±.06	±.10	±.06



- NOTES:
- MATERIAL: COPPER.
 - FINISH: ELECTRO-TIN PLATED.
 - CATALOG NUMBER "PUADP-1" ADAPTOR IS REQUIRED TO USE "U" TYPE DIES IN THE Y46 SERIES TOOLS.
 - REFERENCE THE BURNDY® PRODUCTS MASTER CATALOG "INSTALLATION TOOL INDEX" FOR ADDITIONAL TOOLING.
 - BELLED BARREL ENDS PROVIDE EASY CABLE INSERTION AND STRAIN RELIEF.
 - DIMENSIONS IN BRACKETS [] ARE IN MILLIMETERS ROUNDED OFF TO THE NEAREST MILLIMETER, UNLESS OTHERWISE NOTED, AND ARE FOR REFERENCE ONLY.
 - FOR UNDRILLED VERSIONS AND SUFFIX "U" TO END OF CATALOG NUMBER. FOR UNDRILLED VERSIONS, USE D MIN = N MAX + E MAX + Z MIN.
 - CONNECTORS ARE UL LISTED; UNDRILLED VERSIONS ARE NOT UL LISTED.
 - CONNECTORS ARE CSA CERTIFIED; UNDRILLED VERSIONS ARE NOT CSA CERTIFIED.

TO ORDER BURNDY® PRODUCTS CALL		TELECOM BELLED HYLUG™	
UNITED STATES 1-800-346-4175 (LONDONDERRY, NH)		ITEM NO: N/A	
CANADA: 1-800-361-6975 (QUEBEC) 1-800-387-6487 (ALL OTHER PROVINCES)		CAT. NO: YA-2-FXB- (TABLE)	
FOR PRODUCT INFO: http://www.burndy.com		DRAWN BY: J. GAUDET 11/04/92	
		CHECKER: K. HENRY 11/18/92	
		DSN APPVL: R. ROMAN 21/10/17	
		MFG APPVL: N/A	
		QA APPVL: B. POST 11/10/17	
		MKT APPVL: B. MICHAUD 10/03/18	
		SCALE: NTS	
		DRAWING NO	
		REV	
		PROJECT #: --	
		SIZE	
		D	
		DOCUMENT TYPE: Sales	
		REL LEVEL: Released	
		SE208074	
		SHEET 1 OF 6	
		J	

CATALOG NUMBER	ACCOMMODATES	STUD SIZE	DIMENSIONS													CABLE STRIP LENGTH	INSTALLATION TOOLING				
			B	C	C TOL.	E	K DIA.	L	N	P	T	Z	BELL	O.D.	DIELESS TOOLS		Y35, Y39, Y750, PAT750, Y46, PAT46				
															MECHANICAL HYTOOL™ (CRIMPS)		HYDRAULIC HYPRESS™	DIE INDEX	COLOR CODE	DIE NUMBER (# OF CRIMPS)	
YAV4C2TC14FXB	#4 STR. (91/24-105/24) #4 AWG	1/4	1.22 [31]	.55 [14]	±.03 [±1]	.62 [16]	.27 [7]	2.81 [71]	.31 [8]	1.46 [37]	.09 [2]	.33 [8]	.44 [11]	.38 [10]	1-5/16" [33]	MY29-3 (2) MY29-11 (2)	Y644M (1 CRIMP)	8	GRAY	U4CRT (2 CRIMPS)	
YAV4C2TC14E2FXB	#4 STR. (91/24-105/24) #4 AWG	1/4	1.22 [31]	.55 [14]	±.03 [±1]	.75 [19]	.27 [7]	2.93 [74]	.31 [8]	1.46 [37]	.09 [2]	.33 [8]	.44 [11]	.38 [10]	1-5/16" [33]	MY29-3 (2) MY29-11 (2)	Y644M (1 CRIMP)	8	GRAY	U4CRT (2 CRIMPS)	
YAV4C2TC14E1FXB	#4 STR. (91/24-105/24) #4 AWG	1/4	1.22 [31]	.55 [14]	±.03 [±1]	1.00 [25]	.27 [7]	3.18 [81]	.31 [8]	1.46 [37]	.09 [2]	.33 [8]	.44 [11]	.38 [10]	1-5/16" [33]	MY29-3 (2) MY29-11 (2)	Y644M (1 CRIMP)	8	GRAY	U4CRT (2 CRIMPS)	
YAV4C2TC516FXB	#4 STR. (91/24-105/24) #4 AWG	5/16	1.22 [31]	.55 [14]	±.03 [±1]	1.00 [25]	.33 [8]	3.24 [82]	.34 [9]	1.46 [37]	.09 [2]	.36 [9]	.44 [11]	.38 [10]	1-5/16" [33]	MY29-3 (2) MY29-11 (2)	Y644M (1 CRIMP)	8	GRAY	U4CRT (2 CRIMPS)	
YAV4C2TC38FXB	#4 STR. (91/24-105/24) #4 AWG	3/8	1.22 [31]	.58 [15]	±.04 [±1]	1.00 [25]	.41 [10]	3.37 [86]	.41 [10]	1.46 [37]	.09 [2]	.42 [11]	.44 [11]	.38 [10]	1-5/16" [33]	MY29-3 (2) MY29-11 (2)	Y644M (1 CRIMP)	8	GRAY	U4CRT (2 CRIMPS)	
YAV4C2NFXB	#4 STR. (91/24-105/24) #4 AWG	1/2	1.22 [31]	.83 [21]	±.04 [±1]	1.75 [44]	.56 [14]	4.56 [116]	.62 [16]	1.46 [37]	.12 [3]	.64 [16]	.44 [11]	.38 [10]	1-5/16" [33]	MY29-3 (2) MY29-11 (2)	Y644M (1 CRIMP)	8	GRAY	U4CRT (2 CRIMPS)	
---	---	---	---	---	---	---	---	---	---	---	---	---	---	---	---	---	---	---	---	---	
YAV3C2TC516FXB	#3 STR. (105/24-125/24) #3 AWG	5/16	1.48 [38]	.60 [15]	±.03 [1]	1.00 [25]	.33 [8]	3.51 [89]	.34 [9]	1.73 [44]	.09 [2]	.36 [9]	.49 [12]	.42 [11]	1-9/16 [40]	MY29-3 (2) MY29-11 (2)	Y644M (1 CRIMP)	9	WHITE	U3CRT (2 CRIMPS)	
YAV3C2TC38FXB	#3 STR. (105/24-125/24) #3 AWG	3/8	1.48 [38]	.60 [15]	±.04 [1]	1.00 [25]	.41 [10]	3.64 [92]	.41 [10]	1.73 [44]	.09 [2]	.42 [11]	.49 [12]	.42 [11]	1-9/16 [40]	MY29-3 (2) MY29-11 (2)	Y644M (1 CRIMP)	9	WHITE	U3CRT (2 CRIMPS)	
YAV3C2NFXB	#3 STR. (105/24-125/24) #3 AWG	1/2	1.48 [38]	.83 [21]	±.04 [1]	1.75 [44]	.56 [14]	4.83 [123]	.62 [16]	1.73 [44]	.12 [3]	.64 [16]	.49 [12]	.42 [11]	1-9/16 [40]	MY29-3 (2) MY29-11 (2)	Y644M (1 CRIMP)	9	WHITE	U3CRT (2 CRIMPS)	
---	---	---	---	---	---	---	---	---	---	---	---	---	---	---	---	---	---	---	---	---	
YAV2C2TC14FXB	#2 STR. (125/24-150/24) #2 AWG	1/4	1.35 [34]	.68 [17]	±.03 [1]	.62 [16]	.27 [7]	3.00 [76]	.31 [8]	1.65 [42]	.10 [3]	.33 [8]	.54 [14]	.46 [12]	1-7/16 [37]	MY29-3 (2) MY29-11 (2)	Y644M (1 CRIMP)	10	BROWN	U2CRT (2 CRIMPS)	
YAV2C2TC14E2FXB	#2 STR. (125/24-150/24) #2 AWG	1/4	1.35 [34]	.68 [17]	±.03 [1]	.75 [19]	.27 [7]	3.13 [79]	.31 [8]	1.65 [42]	.10 [3]	.33 [8]	.54 [14]	.46 [12]	1-7/16 [37]	MY29-3 (2) MY29-11 (2)	Y644M (1 CRIMP)	10	BROWN	U2CRT (2 CRIMPS)	
YAV2C2TC14E1FXB	#2 STR. (125/24-150/24) #2 AWG	1/4	1.35 [34]	.68 [17]	±.03 [1]	1.00 [25]	.27 [7]	3.38 [86]	.31 [8]	1.65 [42]	.10 [3]	.33 [8]	.54 [14]	.46 [12]	1-7/16 [37]	MY29-3 (2) MY29-11 (2)	Y644M (1 CRIMP)	10	BROWN	U2CRT (2 CRIMPS)	
YAV2C2TC516FXB	#2 STR. (125/24-150/24) #2 AWG	5/16	1.35 [34]	.68 [17]	±.03 [1]	1.00 [25]	.33 [8]	3.44 [87]	.34 [9]	1.65 [42]	.10 [3]	.36 [9]	.54 [14]	.46 [12]	1-7/16 [37]	MY29-3 (2) MY29-11 (2)	Y644M (1 CRIMP)	10	BROWN	U2CRT (2 CRIMPS)	
YAV2C2TC38FXB	#2 STR. (125/24-150/24) #2 AWG	3/8	1.35 [34]	.68 [17]	±.03 [1]	1.00 [25]	.41 [10]	3.57 [91]	.41 [10]	1.65 [42]	.10 [3]	.42 [11]	.54 [14]	.46 [12]	1-7/16 [37]	MY29-3 (2) MY29-11 (2)	Y644M (1 CRIMP)	10	BROWN	U2CRT (2 CRIMPS)	
YAV2C2NT38FXB	#2 STR. (125/24-150/24) #2 AWG	3/8	1.35 [34]	.55 [14]	±.03 [1]	1.00 [25]	.41 [10]	3.57 [91]	.41 [10]	1.65 [42]	.10 [3]	.42 [11]	.54 [14]	.46 [12]	1-7/16 [37]	MY29-3 (2) MY29-11 (2)	Y644M (1 CRIMP)	10	BROWN	U2CRT (2 CRIMPS)	
YAV2C2NFXB	#2 STR. (125/24-150/24) #2 AWG	1/2	1.35 [34]	.83 [21]	±.04 [1]	1.75 [44]	.56 [14]	4.76 [121]	.62 [16]	1.65 [42]	.12 [3]	.64 [16]	.54 [14]	.46 [12]	1-7/16 [37]	MY29-3 (2) MY29-11 (2)	Y644M (1 CRIMP)	10	BROWN	U2CRT (2 CRIMPS)	
---	---	---	---	---	---	---	---	---	---	---	---	---	---	---	---	---	---	---	---	---	
YAV1C2TC14FXB	#1 STR. (175/24-225/24) #1 AWG	1/4	1.50 [38]	.75 [19]	±.03 [1]	.62 [16]	.27 [7]	3.17 [81]	.31 [8]	1.82 [46]	.12 [3]	.33 [8]	.60 [15]	.51 [13]	1-9/16 [40]	MY29-3 (2) MY29-11 (2)	Y644M (1 CRIMP)	11	GREEN	U1CRT-1 (2 CRIMPS)	
YAV1C2TC14E2FXB	#1 STR. (175/24-225/24) #1 AWG	1/4	1.50 [38]	.75 [19]	±.03 [1]	.75 [19]	.27 [7]	3.30 [84]	.31 [8]	1.82 [46]	.12 [3]	.33 [8]	.60 [15]	.51 [13]	1-9/16 [40]	MY29-3 (2) MY29-11 (2)	Y644M (1 CRIMP)	11	GREEN	U1CRT-1 (2 CRIMPS)	
YAV1C2TC38FXB	#1 STR. (175/24-225/24) #1 AWG	3/8	1.50 [38]	.75 [19]	±.03 [1]	1.00 [25]	.41 [10]	3.74 [95]	.41 [10]	1.82 [46]	.12 [3]	.42 [11]	.60 [15]	.51 [13]	1-9/16 [40]	MY29-3 (2) MY29-11 (2)	Y644M (1 CRIMP)	11	GREEN	U1CRT-1 (2 CRIMPS)	
YAV1C2NFXB	#1 STR. (175/24-225/24) #1 AWG	1/2	1.50 [38]	.83 [21]	±.04 [1]	1.75 [44]	.56 [14]	4.92 [125]	.62 [16]	1.82 [46]	.11 [3]	.64 [16]	.60 [15]	.51 [13]	1-9/16 [40]	MY29-3 (2) MY29-11 (2)	Y644M (1 CRIMP)	11	GREEN	U1CRT-1 (2 CRIMPS)	

NOTES:

- MATERIAL: COPPER.
- FINISH: TIN PLATED.
- CATALOG NUMBER "PUADP-1" ADAPTOR IS REQUIRED TO USE "U" TYPE DIES IN THE Y46 SERIES TOOLS.
- REFERENCE THE BURNDY® MASTER CATALOG "INSTALLATION TOOL INDEX" FOR ADDITIONAL TOOLING.
- BELLED BARREL ENDS PROVIDE EASY CABLE INSERTION AND STRAIN RELIEF.
- DIMENSIONS IN BRACKETS [] ARE IN MILLIMETERS ROUNDED OFF TO THE NEAREST MILLIMETER, UNLESS OTHERWISE NOTED, AND ARE FOR REFERENCE ONLY.

FOR UNDRILLED VERSIONS AND SUFFIX "U" TO END OF CATALOG NUMBER. FOR UNDRILLED VERSIONS, USE D MIN = N MAX + E MAX + Z MIN.

CONNECTORS ARE UL LISTED; UNDRILLED VERSIONS ARE NOT UL LISTED.

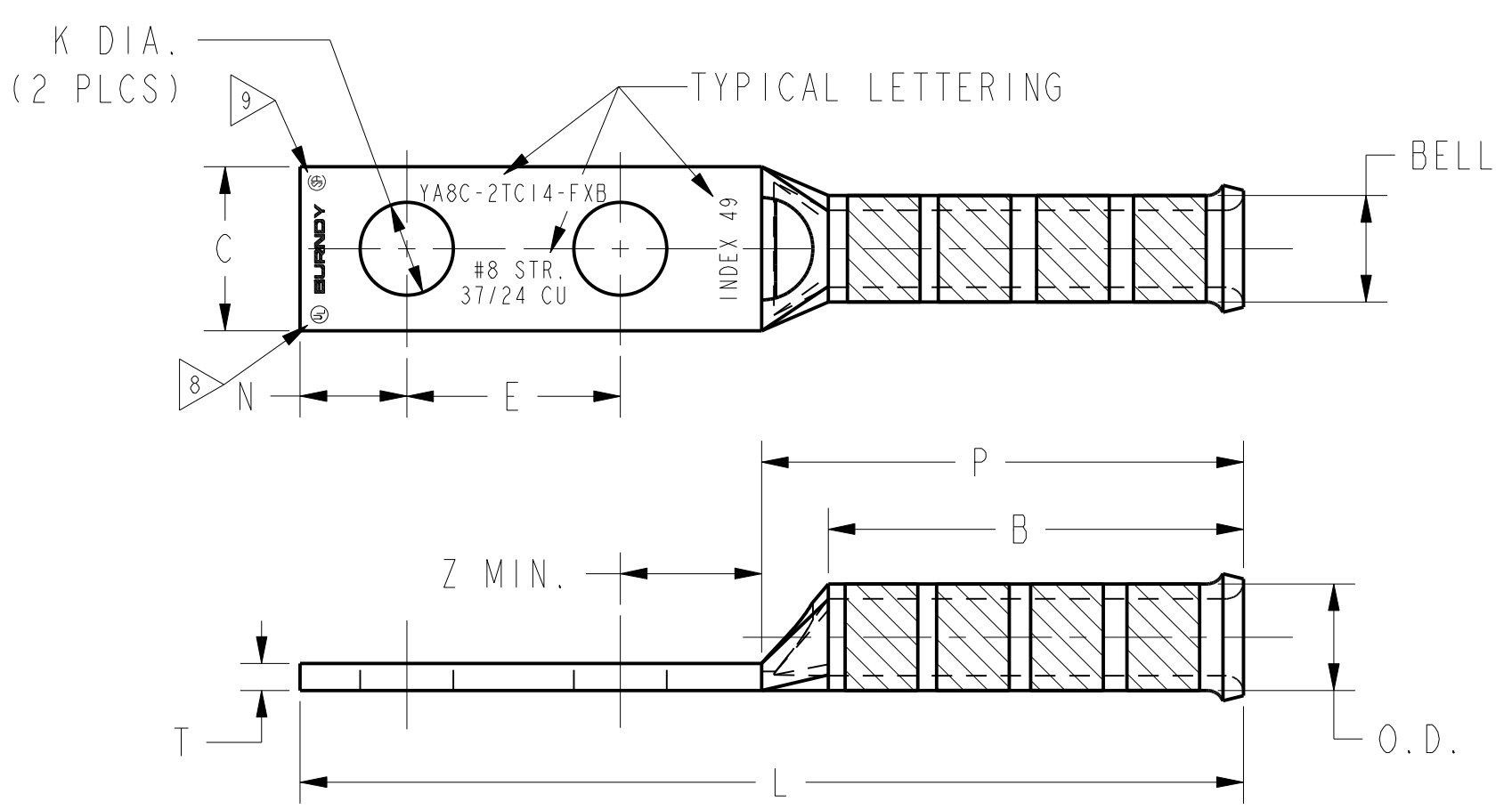
CONNECTORS ARE CSA CERTIFIED; UNDRILLED VERSIONS ARE NOT CSA CERTIFIED.

SEE SHEET ONE FOR VIEWS

TO ORDER BURNDY® PRODUCTS CALL		TELECOM BELLED HYLUG™	
UNITED STATES 1-800-346-4175 (LONDONDERRY, NH)		CANADA: 1-800-361-6975 (QUEBEC) 1-800-387-6487 (ALL OTHER PROVINCES)	
FOR PRODUCT INFO: http://www.burndy.com		SCALE: NTS	
REV	DATE	DESCRIPTION	ECO BY C'H'K.
J	2017-10-06 00:00:00 EDT	ADD YAV4C2NFXB TO SALES DRAWING SE...208074-01.	47796 BM MB
ITEM NO: N/A		DRAWING NO: SE208074	
CAT. NO: YA-2-FXB- (TABLE)		REV: J	
DRAWN BY: J.GAUDET 11/04/92		SIZE: D	
CHECKER: K.HENRY 11/18/92		SHEET 2 OF 6	
DSN APPVL: C.PALAGI 11/20/92		PROJECT #: FPN1512073	
MFG APPVL: N/A		DOCUMENT TYPE: Sales	
QA APPVL: A.LLOYD 11/2/92		REL LEVEL: Released	
MKT APPVL: L.HERRON 11/23/92			

CATALOG NUMBER	ACCOMMODATES	STUD SIZE	DIMENSIONS													CABLE STRIP LENGTH	INSTALLATION TOOLING				
			B	C	C TOL.	E	K DIA.	L	N	P	T	Z MIN.	BELL	O.D.	DIELESS TOOLS		Y35, Y39, Y750, Y46				
															MECHANICAL HYTOOL™ (CRIMPS)		HYDRAULIC HYPRESS™	DIE INDEX	COLOR CODE	DIE NUMBER (# OF CRIMPS)	
YAV252TC14FXB	1/0 STR. (275/24) 1/0 AWG	1/4	1.50 [38]	.83 [21]	±.03 [1]	.62 [16]	.27 [7]	3.21 [82]	.31 [8]	1.86 [47]	.12 [3]	.33 [8]	.66 [17]	.56 [14]	1-9/16 [40]	MY29-3 (2) MY29-11 (2)	Y644M (1 CRIMP)	12	PINK	U25RT (2 CRIMPS)	
YAV252TC14E2FXB	1/0 STR. (275/24) 1/0 AWG	1/4	1.50 [38]	.83 [21]	±.03 [1]	.75 [19]	.27 [7]	3.34 [85]	.31 [8]	1.86 [47]	.12 [3]	.33 [8]	.66 [17]	.56 [14]	1-9/16 [40]	MY29-3 (2) MY29-11 (2)	Y644M (1 CRIMP)	12	PINK	U25RT (2 CRIMPS)	
YAV252TC38FXB	1/0 STR. (275/24) 1/0 AWG	3/8	1.50 [38]	.83 [21]	±.03 [1]	1.00 [25]	.40 [10]	3.78 [96]	.41 [10]	1.86 [47]	.12 [3]	.42 [11]	.66 [17]	.56 [14]	1-9/16 [40]	MY29-3 (2) MY29-11 (2)	Y644M (1 CRIMP)	12	PINK	U25RT (2 CRIMPS)	
YAV252NTC38FXB	1/0 STR. (275/24) 1/0 AWG	3/8	1.50 [38]	.83 [21]	±.03 [1]	1.75 [44]	.40 [10]	4.53 [115]	.41 [10]	1.86 [47]	.12 [3]	.42 [11]	.66 [17]	.56 [14]	1-9/16 [40]	MY29-3 (2) MY29-11 (2)	Y644M (1 CRIMP)	12	PINK	U25RT (2 CRIMPS)	
YAV252NFXB	1/0 STR. (275/24) 1/0 AWG	1/2	1.50 [38]	.83 [21]	±.03 [1]	1.75 [44]	.56 [14]	4.96 [126]	.62 [16]	1.86 [47]	.12 [3]	.64 [16]	.66 [17]	.56 [14]	1-9/16 [40]	MY29-3 (2) MY29-11 (2)	Y644M (1 CRIMP)	12	PINK	U25RT (2 CRIMPS)	
---	---	---	---	---	---	---	---	---	---	---	---	---	---	---	---	---	---	---	---	---	
YAV262TC14FXB	2/0 STR. (325/24) 2/0 AWG	1/4	1.63 [41]	.93 [24]	±.03 [1]	.62 [16]	.27 [7]	3.40 [86]	.31 [8]	2.05 [52]	.13 [3]	.33 [8]	.74 [19]	.63 [16]	1-13/16 [46]	MY29-3 (2) MY29-11 (2)	Y644M (1 CRIMP)	13	BLACK	U26RT (2 CRIMPS)	
YAV262TC14E2FXB	2/0 STR. (325/24) 2/0 AWG	1/4	1.63 [41]	.93 [24]	±.03 [1]	.75 [19]	.27 [7]	3.52 [89]	.31 [8]	2.05 [52]	.13 [3]	.33 [8]	.74 [19]	.63 [16]	1-13/16 [46]	MY29-3 (2) MY29-11 (2)	Y644M (1 CRIMP)	13	BLACK	U26RT (2 CRIMPS)	
YAV262TC38FXB	2/0 STR. (325/24) 2/0 AWG	3/8	1.63 [41]	.93 [24]	±.03 [1]	1.00 [25]	.40 [10]	3.96 [101]	.41 [10]	2.05 [52]	.13 [3]	.42 [11]	.74 [19]	.63 [16]	1-13/16 [46]	MY29-3 (2) MY29-11 (2)	Y644M (1 CRIMP)	13	BLACK	U26RT (2 CRIMPS)	
YAV262NTC38FXB	2/0 STR. (325/24) 2/0 AWG	3/8	1.63 [41]	.93 [24]	±.03 [1]	1.75 [44]	.40 [10]	4.71 [120]	.41 [10]	2.05 [52]	.13 [3]	.42 [11]	.74 [19]	.63 [16]	1-13/16 [46]	MY29-3 (2) MY29-11 (2)	Y644M (1 CRIMP)	13	BLACK	U26RT (2 CRIMPS)	
YAV262TC38E11FXB	2/0 STR. (325/24) 2/0 AWG	3/8	1.63 [41]	.93 [24]	±.03 [1]	2.00 [51]	.41 [10]	4.96 [126]	.41 [10]	2.05 [52]	.13 [3]	.42 [11]	.74 [19]	.63 [16]	1-13/16 [46]	MY29-3 (2) MY29-11 (2)	Y644M (1 CRIMP)	13	BLACK	U26RT (2 CRIMPS)	
YAV262NFXB	2/0 STR. (325/24) 2/0 AWG	1/2	1.63 [41]	.93 [24]	±.03 [1]	1.75 [44]	.56 [14]	5.15 [131]	.62 [16]	2.05 [52]	.13 [3]	.64 [16]	.74 [19]	.63 [16]	1-13/16 [46]	MY29-3 (2) MY29-11 (2)	Y644M (1 CRIMP)	13	BLACK	U26RT (2 CRIMPS)	
YAV272TC14E2FXB	3/0 STR. (450/24) 3/0 AWG	1/4	1.64 [42]	1.03 [26]	±.04 [1]	.75 [19]	.27 [7]	3.58 [91]	.31 [8]	2.10 [53]	.14 [4]	.33 [8]	.82 [21]	.70 [18]	1-13/16 [46]	MY29-3 (2) MY29-11 (2)	Y644M (1 CRIMP)	14	ORANGE	U27RT (2 CRIMPS)	
YAV272TC38FXB	3/0 STR. (450/24) 3/0 AWG	3/8	1.64 [42]	1.03 [26]	±.04 [1]	1.00 [25]	.40 [10]	4.01 [102]	.41 [10]	2.10 [53]	.14 [4]	.42 [11]	.82 [21]	.70 [18]	1-13/16 [46]	MY29-3 (2) MY29-11 (2)	Y644M (1 CRIMP)	14	ORANGE	U27RT (2 CRIMPS)	
YAV272NFXB	3/0 STR. (450/24) 3/0 AWG	1/2	1.64 [42]	1.03 [26]	±.04 [1]	1.75 [44]	.56 [14]	5.20 [132]	.62 [16]	2.10 [53]	.14 [4]	.64 [16]	.82 [21]	.70 [18]	1-13/16 [46]	MY29-3 (2) MY29-11 (2)	Y644M (1 CRIMP)	14	ORANGE	U27RT (2 CRIMPS)	
---	---	---	---	---	---	---	---	---	---	---	---	---	---	---	---	---	---	---	---	---	
YAV282TC14E2FXB	4/0 STR. (550/24) 4/0 AWG	1/4	1.77 [45]	1.14 [29]	±.04 [1]	.75 [19]	.27 [7]	3.76 [96]	.31 [8]	2.28 [58]	.14 [4]	.33 [8]	.90 [23]	.77 [20]	1-7/8 [48]	MY29-3 (2) MY29-11 (2)	Y644M (1 CRIMP)	15	PURPLE	U28RT (2 CRIMPS)	
YAV282NT516FXB	4/0 STR. (550/24) 4/0 AWG	5/16	1.77 [45]	1.14 [29]	±.04 [1]	1.75 [44]	.33 [8]	4.82 [122]	.34 [9]	2.28 [58]	.14 [4]	.36 [9]	.90 [23]	.77 [20]	1-7/8 [48]	MY29-3 (2) MY29-11 (2)	Y644M (1 CRIMP)	15	PURPLE	U28RT (2 CRIMPS)	
YAV282NT38FXB	4/0 STR. (550/24) 4/0 AWG	3/8	1.77 [45]	.75 [19]	±.04 [1]	1.00 [25]	.40 [10]	4.20 [107]	.41 [10]	2.28 [58]	.14 [4]	.42 [11]	.90 [23]	.77 [20]	1-7/8 [48]	MY29-3 (2) MY29-11 (2)	Y644M (1 CRIMP)	15	PURPLE	U28RT (2 CRIMPS)	
YAV282TC38FXB	4/0 STR. (550/24) 4/0 AWG	3/8	1.77 [45]	1.14 [29]	±.04 [1]	1.00 [25]	.40 [10]	4.20 [107]	.41 [10]	2.28 [58]	.14 [4]	.42 [11]	.90 [23]	.77 [20]	1-7/8 [48]	MY29-3 (2) MY29-11 (2)	Y644M (1 CRIMP)	15	PURPLE	U28RT (2 CRIMPS)	
YAV282TC12FXB	4/0 STR. (550/24) 4/0 AWG	1/2	1.77 [45]	1.14 [29]	±.04 [1]	1.25 [32]	.56 [14]	4.70 [119]	.53 [13]	2.28 [58]	.14 [4]	.42 [11]	.90 [23]	.77 [20]	1-7/8 [48]	MY29-3 (2) MY29-11 (2)	Y644M (1 CRIMP)	15	PURPLE	U28RT (2 CRIMPS)	
YAV282NTC38FXB	4/0 STR. (550/24) 4/0 AWG	3/8	1.77 [45]	1.14 [29]	±.04 [1]	1.75 [44]	.40 [10]	4.20 [107]	.41 [10]	2.28 [58]	.14 [4]	.42 [11]	.90 [23]	.77 [20]	1-7/8 [48]	MY29-3 (2) MY29-11 (2)	Y644M (1 CRIMP)	15	PURPLE	U28RT (2 CRIMPS)	
YAV282NFXB	4/0 STR. (550/24) 4/0 AWG	1/2	1.77 [45]	1.14 [29]	±.04 [1]	1.75 [44]	.56 [13]	5.39 [137]	.62 [16]	2.28 [58]	.14 [4]	.64 [16]	.90 [23]	.77 [20]	1-7/8 [48]	MY29-3 (2) MY29-11 (2)	Y644M (1 CRIMP)	15	PURPLE	U28RT (2 CRIMPS)	
YAV292TC14E2FXB	4/0 FLEX CLASS 1, K, M	1/4	2.16 [55]	1.18 [30]	±.04 [1]	.75 [19]	.27 [7]	4.19 [106]	.31 [8]	2.70 [69]	.16 [4]	.33 [8]	.94 [24]	.80 [20]	2-1/4 [57]	MY29-3 (2) MY29-11 (2)	Y644M (1 CRIMP)	16	YELLOW	U29RT (2 CRIMPS)	
YAV292NT38FXB	4/0 FLEX CLASS 1, K, M	3/8	2.16 [55]	.75 [19]	±.04 [1]	1.00 [25]	.40 [10]	4.62 [117]	.41 [10]	2.70 [69]	.16 [4]	.42 [11]	.94 [24]	.80 [20]	2-1/4 [57]	MY29-3 (2) MY29-11 (2)	Y644M (1 CRIMP)	16	YELLOW	U29RT (2 CRIMPS)	
YAV292TC38FXB	4/0 FLEX CLASS 1, K, M	3/8	2.16 [55]	1.18 [30]	±.04 [1]	1.00 [25]	.40 [10]	4.62 [117]	.41 [10]	2.70 [69]	.16 [4]	.42 [11]	.94 [24]	.80 [20]	2-1/4 [57]	MY29-3 (2) MY29-11 (2)	Y644M (1 CRIMP)	16	YELLOW	U29RT (2 CRIMPS)	
YAV292NTC38FXB	4/0 FLEX CLASS 1, K, M	3/8	2.16 [55]	1.18 [30]	±.04 [1]	1.75 [44]	.40 [10]	5.37 [136]	.41 [10]	2.70 [69]	.16 [4]	.42 [11]	.94 [24]	.80 [20]	2-1/4 [57]	MY29-3 (2) MY29-11 (2)	Y644M (1 CRIMP)	16	YELLOW	U29RT (2 CRIMPS)	
YAV292NFXB	4/0 FLEX CLASS 1, K, M	1/2	2.16 [55]	1.18 [30]	±.04 [1]	1.75 [44]	.56 [14]	5.81 [148]	.62 [16]	2.70 [69]	.16 [4]	.64 [16]	.94 [24]	.80 [20]	2-1/4 [57]	MY29-3 (2) MY29-11 (2)	Y644M (1 CRIMP)	16	YELLOW	U29RT (2 CRIMPS)	

- NOTES:
- MATERIAL: COPPER.
 - FINISH: ELECTRO-TIN PLATED.
 - CATALOG NUMBER "PUADP-1" ADAPTOR IS REQUIRED TO USE "U" TYPE DIES IN THE Y46 SERIES TOOLS.
 - REFERENCE THE BURNDY® PRODUCTS MASTER CATALOG "INSTALLATION TOOL INDEX" FOR ADDITIONAL TOOLING.
 - BELLED BARREL ENDS PROVIDE EASY CABLE INSERTION AND STRAIN RELIEF.
 - DIMENSIONS IN BRACKETS [] ARE IN MILLIMETERS ROUNDED OFF TO THE NEAREST MILLIMETER, UNLESS OTHERWISE NOTED, AND ARE FOR REFERENCE ONLY.
 - FOR UNDRILLED VERSIONS AND SUFFIX "U" TO END OF CATALOG NUMBER. FOR UNDRILLED VERSIONS, USE D MIN = N MAX + E MAX + Z MIN.
 - CONNECTORS ARE UL LISTED; UNDRILLED VERSIONS ARE NOT UL LISTED.
 - CONNECTORS ARE CSA CERTIFIED; UNDRILLED VERSIONS ARE NOT CSA CERTIFIED.
 - FOR "OIL TIGHT" SEAL ADD SUFFIX "DT" TO END OF CATALOG NUMBER.



TO ORDER BURNDY® PRODUCTS CALL
 UNITED STATES
 1-800-346-4175 (LONDONDERRY, NH)
 CANADA:
 1-800-361-6975 (QUEBEC)
 1-800-387-6487 (ALL OTHER PROVINCES)
 FOR PRODUCT INFO: <http://www.burndy.com>

HYLUG™ BELLED, TELECOM	
ITEM NO:	N/A
CAT. NO:	YA-2-FXB- (TABLE)
DRAWN BY:	J GAUDET 11/16/92
CHECKER:	K HENDRY 11/18/92
DSN APPVL:	C PALAGI 11/20/92
MFG APPVL:	--
QA APPVL:	A LLOYD 11/21/92
MKT APPVL:	L HERRON 11/23/92
PROD. FAM:	--
PROJECT #:	--
DOCUMENT TYPE:	Sales
REL. LEVEL:	Released

DRAWING NO	REV
SE208074	J
SHEET 3 OF 6	

REV	DATE	DESCRIPTION	ECO	BY	C'K'
J	2017-10-06 00:00:00 EDT	ADD YA42NCS8FXB TO SALES DRAWING SE..208074-01.	47796	BM	MB

CATALOG NUMBER	ACCOMMODATES	STUD SIZE	DIMENSIONS												CABLE STRIP LENGTH	INSTALLATION TOOLING					
			B	C	C TOL.	E	K DIA.	L	N	P	T	Z MIN.	BELL	O.D.		DIELESS TOOLS		Y35, Y39, Y750, Y46			
"CONNECTORS BELOW ARE FOR FLEXIBLE CONDUCTOR ONLY"																					
	FLEXIBLE CABLE CODE AWG																				
YA302TC38FXB	250 Kcmil FLEX CLASS G 259 STR. CLASS M 427 STR.	3/8	2.16 [55]	1.20 [30]	±.04 [1]	1.00 [25]	.40 [10]	4.61 [117]	.41 [10]	2.70 [69]	.16 [4]	.42 [11]	.95 [24]	.81 [21]	2-1/4 [57]	---	---	Y644M (1 CRIMP)	16	YELLOW	U29RT (2 CRIMPS)
YA302NFXB	250 Kcmil FLEX CLASS G 259 STR. CLASS M 427 STR.	1/2	2.16 [55]	1.20 [30]	±.04 [1]	1.75 [44]	.56 [14]	5.80 [147]	.62 [16]	2.70 [69]	.16 [4]	.64 [16]	.95 [24]	.81 [21]	2-1/4 [57]	---	---	Y644M (1 CRIMP)	16	YELLOW	U29RT (2 CRIMPS)
---	---	---	---	---	---	---	---	---	---	---	---	---	---	---	---	---	---	---	---	---	---
YA312TC38FXB	263 Kcmil (650/24) 250 FLEX CLASS I, K, M	3/8	2.18 [55]	1.29 [33]	±.04 [1]	1.00 [25]	.40 [10]	4.66 [118]	.41 [10]	2.75 [70]	.18 [5]	.42 [11]	1.03 [26]	.88 [22]	2-1/4 [57]	---	---	Y644M (1 CRIMP)	17	WHITE	U30RT (4 CRIMPS)
YA312NTC38FXB	263 Kcmil (650/24) 250 FLEX CLASS I, K, M	3/8	2.18 [55]	1.29 [33]	±.04 [1]	1.75 [44]	.40 [10]	5.41 [137]	.41 [10]	2.75 [70]	.18 [5]	.42 [11]	1.03 [26]	.88 [22]	2-1/4 [57]	---	---	Y644M (1 CRIMP)	17	WHITE	U30RT (4 CRIMPS)
YA312NFXB	263 Kcmil (650/24) 250 FLEX CLASS I, K, M	1/2	2.18 [55]	1.29 [33]	±.04 [1]	1.75 [44]	.56 [14]	5.85 [149]	.62 [16]	2.75 [70]	.18 [5]	.64 [16]	1.03 [26]	.88 [22]	2-1/4 [57]	---	---	Y644M (1 CRIMP)	17	WHITE	U30RT (4 CRIMPS)
---	---	---	---	---	---	---	---	---	---	---	---	---	---	---	---	---	---	---	---	---	---
YA322TC38FXB	313.1 Kcmil (775/24)	3/8	2.32 [60]	1.40 [36]	±.04 [1]	1.00 [25]	.40 [10]	4.85 [123]	.41 [10]	2.94 [75]	.19 [5]	.42 [11]	1.12 [28]	.95 [24]	2-1/4 [57]	---	---	Y644M (1 CRIMP)	18	RED	U31RT (4 CRIMPS)
YA322NTC38FXB	313.1 Kcmil (775/24)	3/8	2.32 [60]	1.40 [36]	±.04 [1]	1.75 [44]	.40 [10]	5.60 [142]	.41 [10]	2.94 [75]	.19 [5]	.42 [11]	1.12 [28]	.95 [24]	2-1/4 [57]	---	---	Y644M (1 CRIMP)	18	RED	U31RT (4 CRIMPS)
YA322NFXB	313.1 Kcmil (775/24)	1/2	2.32 [60]	1.40 [36]	±.04 [1]	1.75 [44]	.56 [14]	6.04 [153]	.62 [16]	2.94 [75]	.19 [5]	.64 [16]	1.12 [28]	.95 [24]	2-1/4 [57]	---	---	Y644M (1 CRIMP)	18	RED	U31RT (4 CRIMPS)
---	---	---	---	---	---	---	---	---	---	---	---	---	---	---	---	---	---	---	---	---	---
YA342TC14E2FXB	373.7 Kcmil (925/24)	1/4	2.48 [63]	1.55 [39]	±.04 [1]	.75 [19]	.27 [7]	4.66 [118]	.31 [8]	3.17 [81]	.23 [6]	.33 [8]	1.24 [31]	1.06 [27]	2-9/16 [65]	---	---	Y644M (1 CRIMP)	19	BLUE	U32RT (4 CRIMPS)
YA342TC38FXB	373.7 Kcmil (925/24)	3/8	2.48 [63]	1.55 [39]	±.04 [1]	1.00 [25]	.40 [10]	5.10 [130]	.41 [10]	3.17 [81]	.23 [6]	.42 [11]	1.24 [31]	1.06 [27]	2-9/16 [65]	---	---	Y644M (1 CRIMP)	19	BLUE	U32RT (4 CRIMPS)
YA342NFXB	373.7 Kcmil (925/24)	1/2	2.48 [63]	1.55 [39]	±.04 [1]	1.75 [44]	.56 [14]	6.29 [160]	.62 [16]	3.17 [81]	.23 [6]	.64 [16]	1.24 [31]	1.06 [27]	2-9/16 [65]	---	---	Y644M (1 CRIMP)	19	BLUE	U32RT (4 CRIMPS)
---	---	---	---	---	---	---	---	---	---	---	---	---	---	---	---	---	---	---	---	---	---
YA362TC38FXB	444.4 Kcmil (1100/24)	3/8	2.95 [75]	1.73 [44]	±.06 [2]	1.00 [25]	.40 [10]	5.84 [148]	.50 [13]	3.72 [94]	.26 [7]	.52 [13]	1.40 [36]	1.18 [30]	3-1/16 [78]	---	---	Y644M (1 CRIMP)	20	BROWN	U34RT (4 CRIMPS)
YA362NFXB	444.4 Kcmil (1100/24)	1/2	2.95 [75]	1.73 [44]	±.06 [2]	1.75 [44]	.56 [14]	6.84 [174]	.62 [16]	3.72 [94]	.26 [7]	.64 [16]	1.40 [36]	1.18 [30]	3-1/16 [78]	---	---	Y644M (1 CRIMP)	20	BROWN	U34RT (4 CRIMPS)

NOTES:

- MATERIAL: COPPER.
- FINISH: TIN PLATED.
- CATALOG NUMBER "PUADP-1" ADAPTOR IS REQUIRED TO USE "U" TYPE DIES IN THE Y46 SERIES TOOLS.
- REFERENCE THE BURNDY® PRODUCTS MASTER CATALOG "INSTALLATION TOOL INDEX" FOR ADDITIONAL TOOLING.
- BELLED BARREL ENDS PROVIDE EASY CABLE INSERTION AND STRAIN RELIEF.
- DIMENSIONS IN BRACKETS [] ARE IN MILLIMETERS ROUNDED OFF TO THE NEAREST MILLIMETER, UNLESS OTHERWISE NOTED, AND ARE FOR REFERENCE ONLY.

SEE SHEET 1 FOR VIEWS AND TOLERANCES

<p>7 FOR UNDRILLED VERSIONS AND SUFFIX "U" TO END OF CATALOG NUMBER. FOR UNDRILLED VERSIONS, USE D MIN = N MAX + E MAX + Z MIN.</p> <p>8 CONNECTORS ARE UL LISTED; UNDRILLED VERSIONS ARE NOT UL LISTED.</p> <p>9 CONNECTORS ARE CSA CERTIFIED; UNDRILLED VERSIONS ARE NOT CSA CERTIFIED.</p>	<p>TO ORDER BURNDY® PRODUCTS CALL</p> <p>UNITED STATES 1-800-346-4175 (LONDONDERRY, NH)</p> <p>CANADA: 1-800-361-6975 (QUEBEC) 1-800-387-6487 (ALL OTHER PROVINCES)</p> <p>FOR PRODUCT INFO: http://www.burndy.com</p>		<p>TELECOM BELLED HYLUG™</p> <p>ITEM NO: N/A</p> <p>CAT. NO: YA-2-FXB- (TABLE)</p> <p>DRAWN BY: M.PITTENDREIGH 8/02/93</p> <p>CHECKER: R.ROBICHEAU 8/10/93</p> <p>DSN APPVL: C.PALAGI 8/11/93</p> <p>MFG APPVL: N/A --</p> <p>QA APPVL: A.LLOYD 8/31/93</p> <p>MKT APPVL: M.BLAKE 8/26/93</p>		<p>SCALE: NTS</p> <p>DRAWING NO SE208074</p> <p>REV J</p>	
	<p>PROD FAM: --</p> <p>PROJECT #: --</p> <p>DOCUMENT TYPE: Sales</p> <p>REL LEVEL: Released</p>		<p>SIZE D</p>		<p>SHEET 4 OF 6</p>	

REV: PE0200

CATALOG NUMBER	ACCOMMODATES FLEXIBLE CABLE CODE AWG	STUD SIZE	DIMENSIONS													CABLE STRIP LENGTH	INSTALLATION TOOLING				
			7														DIELESS TOOLS		3		
			B	C	C TOL.	E	K DIA.	L	N	P	T	Z MIN.	BELL	O.D.	MECHANICAL HYTOOL™(CRIMPS)		HYDRAULIC HYPRESS™	DIE INDEX	COLOR CODE	DIE NUMBER (# OF CRIMPS)	
"CONNECTORS BELOW ARE FOR FLEXIBLE CONDUCTOR ONLY"																					
YA382TC38FXB	535.3 Kcmil (1325/24)	3/8	3.08 [78]	1.84 [47]	±.06 [2]	1.00 [25]	.40 [10]	6.01 [153]	.50 [13]	3.89 [99]	.26 [7]	.53 [13]	1.47 [37]	1.25 [32]	3-3/16 [81]	---	Y644M (1 CRIMP)	L99	PINK	U38XRT (4 CRIMPS)	
YA382NFXB	535.3 Kcmil (1325/24)	1/2	3.08 [78]	1.84 [47]	±.06 [2]	1.75 [4]	.56 [14]	7.01 [178]	.62 [16]	3.89 [99]	.26 [7]	.64 [16]	1.47 [37]	1.25 [32]	3-3/16 [81]	---	Y644M (1 CRIMP)	L99	PINK	U38XRT (4 CRIMPS)	
YA382FXBG2	535.3 Kcmil (1325/24)	3/8	3.08 [78]	1.84 [47]	±.06 [2]	2.00 [51]	.40 [10]	6.82 [173]	.41 [10]	3.90 [99]	.27 [7]	.42 [11]	1.47 [37]	1.25 [32]	3-3/16 [81]	---	Y644M (1 CRIMP)	L99	PINK	U38XRT (4 CRIMPS)	
YA382FXBG3	535.3 Kcmil (1325/24)	1/2	3.08 [78]	1.84 [47]	±.06 [2]	1.19 [30]	.52 [13]	6.26 [159]	.53 [13]	3.90 [99]	.27 [7]	.55 [14]	1.47 [37]	1.25 [32]	3-3/16 [81]	---	Y644M (1 CRIMP)	L99	PINK	U38XRT (4 CRIMPS)	
----	----	----	---	---	---	---	---	---	---	---	---	---	---	---	---	---	---	---	---	---	
YA402NFXB	646 Kcmil (1600/24)	1/2	3.24 [82]	1.98 [50]	±.06 [2]	1.75 [44]	.56 [14]	7.22 [183]	.62 [16]	4.10 [104]	.30 [8]	.64 [16]	1.58 [40]	1.35 [34]	3-5/16 [84]	---	Y644M (1 CRIMP)	24	BLACK	U39RT (4 CRIMPS)	
----	----	----	---	---	---	---	---	---	---	---	---	---	---	---	---	---	---	---	---	---	
YA442TC38FXB	777.7 Kcmil (1925/24)	3/8	3.33 [85]	2.19 [56]	±.06 [2]	1.00 [25]	.40 [10]	6.44 [163]	.50 [13]	4.29 [109]	.33 [8]	.42 [11]	1.76 [45]	1.50 [38]	3-7/16 [87]	---	Y644M (1 CRIMP)	L115	YELLOW	U44XRT (4 CRIMPS)	
YA442TC58E16FXB	777.7 Kcmil (1925/24)	5/8	3.33 [85]	2.19 [56]	±.06 [2]	1.75 [44]	.68 [17]	7.44 [189]	.62 [16]	4.29 [109]	.33 [8]	.64 [16]	1.76 [45]	1.50 [38]	3-7/16 [87]	---	Y644M (1 CRIMP)	L115	YELLOW	U44XRT (4 CRIMPS)	
YA442NFXB	777.7 Kcmil (1925/24)	1/2	3.33 [85]	2.19 [56]	±.06 [2]	1.75 [44]	.56 [14]	7.44 [189]	.62 [16]	4.29 [109]	.33 [8]	.64 [16]	1.76 [45]	1.50 [38]	3-7/16 [87]	---	Y644M (1 CRIMP)	L115	YELLOW	U44XRT (4 CRIMPS)	
----	----	----	---	---	---	---	---	---	---	---	---	---	---	---	---	---	---	---	---	---	
YA462NFXB	1111 Kcmil (2750/24)	1/2	3.58 [91]	2.69 [68]	±.06 [2]	1.75 [44]	.56 [14]	7.91 [201]	.62 [16]	4.76 [121]	.39 [10]	.64 [16]	2.16 [55]	1.84 [47]	3-11/16 [94]	---	---	29	---	P45RT (4 CRIMPS)	
YA462NFXBUNPL	1111 Kcmil (2750/24)	1/2	3.58 [91]	2.69 [68]	±.06 [2]	1.75 [44]	.56 [14]	7.91 [201]	.62 [16]	4.76 [121]	.39 [10]	.64 [16]	2.16 [55]	1.84 [47]	3-11/16 [94]	---	---	29	---	P45RT (4 CRIMPS)	
YA462NFXBDTS	1111 Kcmil (2750/24)	1/2	3.58 [91]	2.69 [68]	±.06 [2]	1.75 [44]	.56 [14]	7.91 [201]	.62 [16]	4.76 [121]	.39 [10]	.64 [16]	2.16 [55]	1.84 [47]	3-11/16 [94]	---	---	29	---	P45RT (4 CRIMPS)	
YA482NFXB	1550 Kcmil, CLASS K	1/2	3.90 [99]	3.10 [79]	±.06 [2]	1.75 [44]	.56 [14]	8.42 [214]	.62 [16]	5.23 [133]	.46 [12]	.64 [16]	2.50 [64]	2.13 [54]	4-1/16 [103]	---	---	33	GRAY	L47RT Y60BH HYPRESS™ (2 CRIMPS)	

NOTES:

- MATERIAL: COPPER
- FINISH:TIN PLATED. FOR UNPLATED PARTS USE SUFFIX "UNPL" (EXAMPLE: YA26LTC12FXUNPL). FOR UNPLATED PARTS WITH INK MARKED BARREL USE SUFFIX "BR" (EXAMPLE: YAV6CLTC38FXBR).
- CATALOG NUMBER "PUADP-1" ADAPTOR IS REQUIRED TO USE "U" TYPE DIES IN THE Y46 SERIES TOOLS.
- REFERENCE THE BURNDY® PRODUCTS MASTER CATALOG "INSTALLATION TOOL INDEX" FOR ADDITIONAL TOOLING.
- BELLED BARREL ENDS PROVIDE EASY CABLE INSERTION AND STRAIN RELIEF.
- DIMENSIONS IN BRACKETS [] ARE IN MILLIMETERS ROUNDED OFF TO THE NEAREST MILLIMETER, UNLESS OTHERWISE NOTED, AND ARE FOR REFERENCE ONLY.

7 FOR UNDRILLED VERSIONS AND SUFFIX "U" TO END OF CATALOG NUMBER. FOR UNDRILLED VERSIONS,USE D MIN = N MAX + E MAX + Z MIN.

8 CONNECTORS ARE UL LISTED; UNDRILLED VERSIONS ARE NOT UL LISTED.

9 CONNECTORS ARE CSA CERTIFIED; UNDRILLED VERSIONS ARE NOT CSA CERTIFIED.

10 DTS SUFFIX STANDS FOR OIL SEAL TIGHT BRAZING.

TO ORDER BURNDY® PRODUCTS CALL

UNITED STATES
1-800-346-4175 (LONDONDERRY, NH)

CANADA:
1-800-361-6975 (QUEBEC)
1-800-387-6487 (ALL OTHER PROVINCES)

FOR PRODUCT INFO: <http://www.burndy.com>

TELECOM BELLED HYLUG™

ITEM NO:	N/A
CAT. NO:	YA-2-FXB- (TABLE)
DRAWN BY:	J. AYER 04/08/96
CHECKER:	J. MICHAUD 04/09/96
DSN APPVL:	C. PALAGI 01/24/96
MFG APPVL:	--
QA APPVL:	C.KOWALCZYK 11/07/2014
MKT APPVL:	K.BOUTIN 11/05/2014
PROD FAM:	-
PROJECT #:	-
DOCUMENT TYPE:	Sales
REL LEVEL:	Released

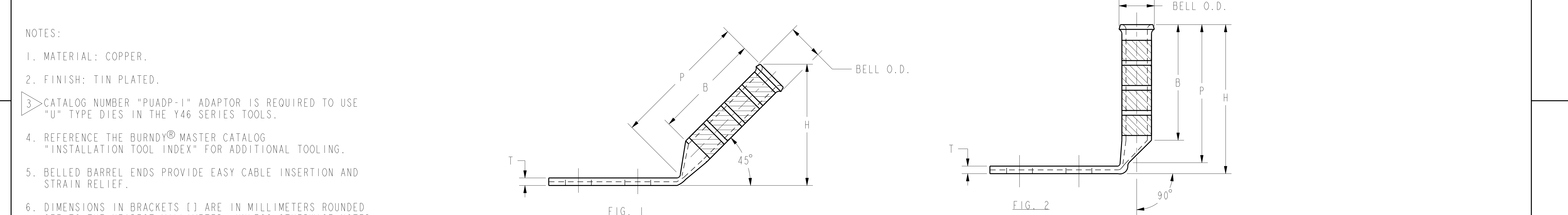
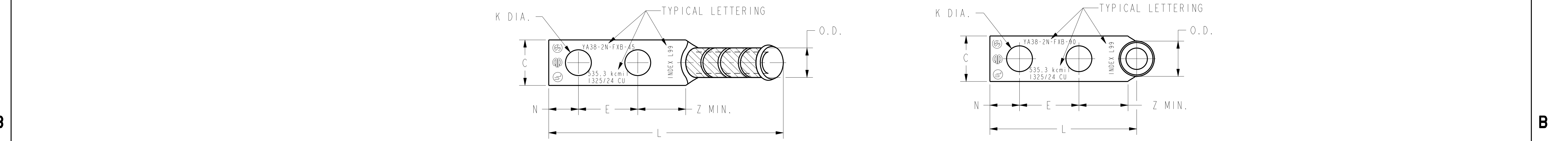
BURNDY

SCALE: NTS

DRAWING NO		REV
SE208074		J
SHEET 5 OF 6		

REV: PE0200

DRAWING NO. SE208074	7			6			5			4			3			2			1			
	CATALOG NUMBER	ACCOMMODATES	STUD SIZE	FIG.	DIMENSIONS											CABLE STRIP LENGTH	INSTALLATION TOOLING					
		FLEXIBLE CABLE CODE AWG			B	C	C TOL.	E	H	K DIA.	L	N	P	T	Z MIN.		BELL	O.D.	DIELESS TOOLS		Y35, Y39, Y750, Y46, PAT750	
		MECHANICAL HYTOOL™ (CRIMPS)	HYDRAULIC HYPRESS™ (CRIMPS)	DIE INDEX	COLOR CODE	DIE NUMBER (# OF CRIMPS)																
YAV6C2TC14FXB45	#6 (61/24)	1/4	1	1.22 [31]	.48 [12]	±.04 [1]	.62 [16]	1.28 [33]	.27 [7]	2.53 [64]	.31 [8]	1.41 [36]	.08 [2]	.33 [8]	.37 [9]	.31 [8]	1-5/16 [33]	MY29-3 (2) MY29-11 (2)	Y644M (1 CRIMP)	7	BLUE	U5CRT (2 CRIMPS)
YAV6C2TC14FXB90	#6 (61/24)	1/4	2	1.22 [31]	.48 [12]	±.04 [1]	.62 [16]	1.61 [41]	.27 [7]	1.52 [39]	.31 [8]	1.41 [36]	.08 [2]	.33 [8]	.37 [9]	.31 [8]	1-5/16 [33]	MY29-3 (2) MY29-11 (2)	Y644M (1 CRIMP)	7	BLUE	U5CRT (2 CRIMPS)
YAV282TC38FXB45	4/0 STR. (550/24) 4/0 AWG	3/8	1	1.77 [45]	1.14 [29]	±.04 [1]	1.00 [25]	2.27 [58]	.40 [10]	3.92 [100]	.41 [10]	2.28 [58]	.14 [4]	.42 [11]	.90 [23]	.77 [20]	1-7/8 [48]	MY29-3 (2) MY29-11 (2)	Y644M (1 CRIMP)	15	PURPLE	U28RT (2 CRIMPS)
YAV282TC38FXB90	4/0 STR. (550/24) 4/0 AWG	3/8	2	1.77 [45]	1.14 [29]	±.04 [1]	1.00 [25]	2.64 [67]	.40 [10]	2.39 [61]	.41 [10]	2.28 [58]	.14 [4]	.42 [11]	.90 [23]	.77 [20]	1-7/8 [48]	MY29-3 (2) MY29-11 (2)	Y644M (1 CRIMP)	15	PURPLE	U28RT (2 CRIMPS)
YAV282NFXB45	4/0 STR. (550/24) 4/0 AWG	3/8	1	1.77 [45]	1.14 [29]	±.04 [1]	1.75 [44]	2.27 [58]	.56 [14]	5.10 [130]	.62 [16]	2.28 [58]	.14 [4]	.64 [16]	.90 [23]	.77 [20]	1-7/8 [48]	MY29-3 (2) MY29-11 (2)	Y644M (1 CRIMP)	15	PURPLE	U28RT (2 CRIMPS)
YAV282NFXB90	4/0 STR. (550/24) 4/0 AWG	3/8	2	1.77 [45]	1.14 [29]	±.04 [1]	1.75 [44]	2.64 [67]	.56 [14]	3.57 [91]	.62 [16]	2.28 [58]	.14 [4]	.64 [16]	.90 [23]	.77 [20]	1-7/8 [48]	MY29-3 (2) MY29-11 (2)	Y644M (1 CRIMP)	15	PURPLE	U28RT (2 CRIMPS)
YA342NFXB45	373.7 kcmil (925/24)	1/2	1	2.48 [63]	1.55 [39]	±.04 [1]	1.75 [44]	3.18 [81]	.56 [14]	5.93 [151]	.62 [16]	3.17 [81]	.23 [6]	.64 [16]	1.24 [32]	1.06 [27]	2-9/16 [65]	---	Y644M (1 CRIMP)	19	BLUE	U32RT (4 CRIMPS)
YA342NFXB90	373.7 kcmil (925/24)	1/2	2	2.48 [63]	1.55 [39]	±.04 [1]	1.75 [44]	3.65 [93]	.56 [14]	3.73 [95]	.62 [16]	3.17 [81]	.23 [6]	.64 [16]	1.24 [32]	1.06 [27]	2-9/16 [65]	---	Y644M (1 CRIMP)	19	BLUE	U32RT (4 CRIMPS)
YA382NFXB45	535.3 kcmil (1325/24)	1/2	1	3.08 [78]	1.84 [47]	+ .03 - .06	1.75 [44]	3.77 [96]	.56 [14]	6.46 [164]	.62 [16]	3.89 [99]	.26 [7]	.64 [16]	1.47 [37]	1.25 [32]	3-3/16 [81]	---	Y644M (1 CRIMP)	L99	PINK	U38XRT (4 CRIMPS)
YA382NFXB90	535.3 kcmil (1325/24)	1/2	2	3.08 [78]	1.84 [47]	+ .03 - .06	1.75 [44]	4.45 [113]	.56 [14]	3.84 [98]	.62 [16]	3.89 [99]	.26 [7]	.64 [16]	1.47 [37]	1.25 [32]	3-3/16 [81]	---	Y644M (1 CRIMP)	L99	PINK	U38XRT (4 CRIMPS)
YA382TC38FXB45	535.3 kcmil (1325/24)	3/8	1	3.08 [78]	1.84 [47]	+ .03 - .06	1.00 [25]	3.77 [96]	.40 [10]	5.46 [139]	.50 [13]	3.89 [99]	.26 [7]	.53 [13]	1.47 [37]	1.25 [32]	3-3/16 [81]	---	Y644M (1 CRIMP)	L99	PINK	U38XRT (4 CRIMPS)
YA382TC38FXB90	535.3 kcmil (1325/24)	3/8	2	3.08 [78]	1.84 [47]	+ .03 - .06	1.00 [25]	4.45 [113]	.40 [10]	2.86 [73]	.50 [13]	3.89 [99]	.26 [7]	.53 [13]	1.47 [37]	1.25 [32]	3-3/16 [81]	---	Y644M (1 CRIMP)	L99	PINK	U38XRT (4 CRIMPS)
YA402NFXB45	646 kcmil (1600/24)	1/2 [M12]	1	3.24 [82]	1.98 [50]	±.06 [2]	1.75 [44]	4.01 [102]	.56 [14]	6.69 [170]	.62 [16]	4.10 [104]	.30 [8]	.64 [16]	1.58 [40]	1.35 [34]	3-5/16 [84]	---	Y644M (1 CRIMP)	24	BLACK	U39RT (4 CRIMPS)
YA402NFXB90	646 kcmil (1600/24)	1/2 [M12]	2	3.24 [82]	1.98 [50]	±.06 [2]	1.75 [44]	4.73 [120]	.56 [14]	3.91 [99]	.62 [16]	4.10 [104]	.30 [8]	.64 [16]	1.58 [40]	1.35 [34]	3-5/16 [84]	---	Y644M (1 CRIMP)	24	BLACK	U39RT (4 CRIMPS)



- NOTES:
- MATERIAL: COPPER.
 - FINISH: TIN PLATED.
 - CATALOG NUMBER "PUADP-1" ADAPTOR IS REQUIRED TO USE "U" TYPE DIES IN THE Y46 SERIES TOOLS.
 - REFERENCE THE BURNDY® MASTER CATALOG "INSTALLATION TOOL INDEX" FOR ADDITIONAL TOOLING.
 - BELLED BARREL ENDS PROVIDE EASY CABLE INSERTION AND STRAIN RELIEF.
 - DIMENSIONS IN BRACKETS [] ARE IN MILLIMETERS ROUNDED OFF TO THE NEAREST MILLIMETER, UNLESS OTHERWISE NOTED, AND ARE FOR REFERENCE ONLY.
 - FOR UNDRILLED VERSIONS AND SUFFIX "U" TO END OF CATALOG NUMBER. FOR UNDRILLED VERSIONS, USE D MIN = N MAX + E MAX + Z MIN.
 - CONNECTORS ARE "UL" LISTED; UNDRILLED VERSIONS ARE NOT "UL" LISTED.
 - CONNECTORS ARE "CSA" CERTIFIED; UNDRILLED VERSIONS ARE NOT "CSA" CERTIFIED.

TO ORDER BURNDY® PRODUCTS CALL
 UNITED STATES
 1-800-346-4175 (LONDONDERRY, NH)
 CANADA:
 1-800-361-6975 (QUEBEC)
 1-800-387-6487 (ALL OTHER PROVINCES)
 FOR PRODUCT INFO: <http://www.burndy.com>

BELLED HYLUG™

ITEM NO:	N/A
CAT. NO:	YA-2-FXB- (TABLE)
DRAWN BY:	J. AYER 4/8/96
CHECKER:	J. MICHAUD 4/9/96
DSN APPVL:	C. PALAGI 1/24/96
MFG APPVL:	--
QA APPVL:	--
MKT APPVL:	P. WERTHMAN 2/19/96
PROD. FAM.:	--
PROJECT #:	--
DOCUMENT TYPE:	Sales
REL. LEVEL:	Released

SCALE: NTS

DRAWING NO	REV
SE208074	J
SHEET 6 OF 6	

REV: PE0200

REV	DATE	DESCRIPTION	ECO	BY	C'H'K.
J	2017-10-06 00:00:00 EDT	ADD YA442NTC58FXB TO SALES DRAWING SE..208074-0	47796	BM	MB