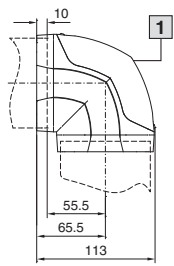


Enclosures

Support arm system CP 60/120/180

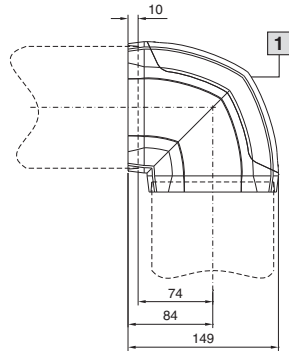
Angle piece 90° CP 60/120/180

CP 6206.600

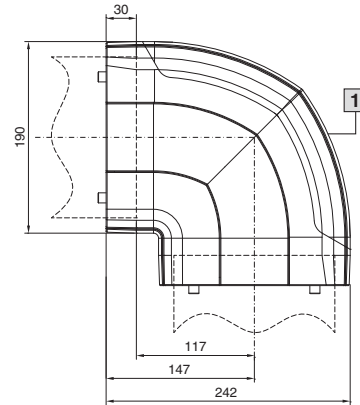


1 Removable cover

CP 6212.600

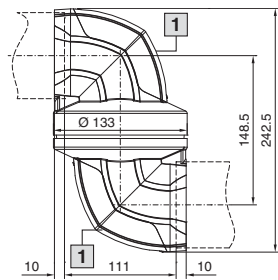


CP 6218.600



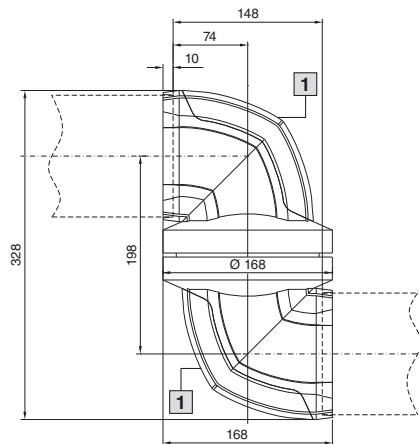
Intermediate hinge CP 60/120/180

CP 6206.620



1 Removable cover

CP 6212.620



CP 6218.620

