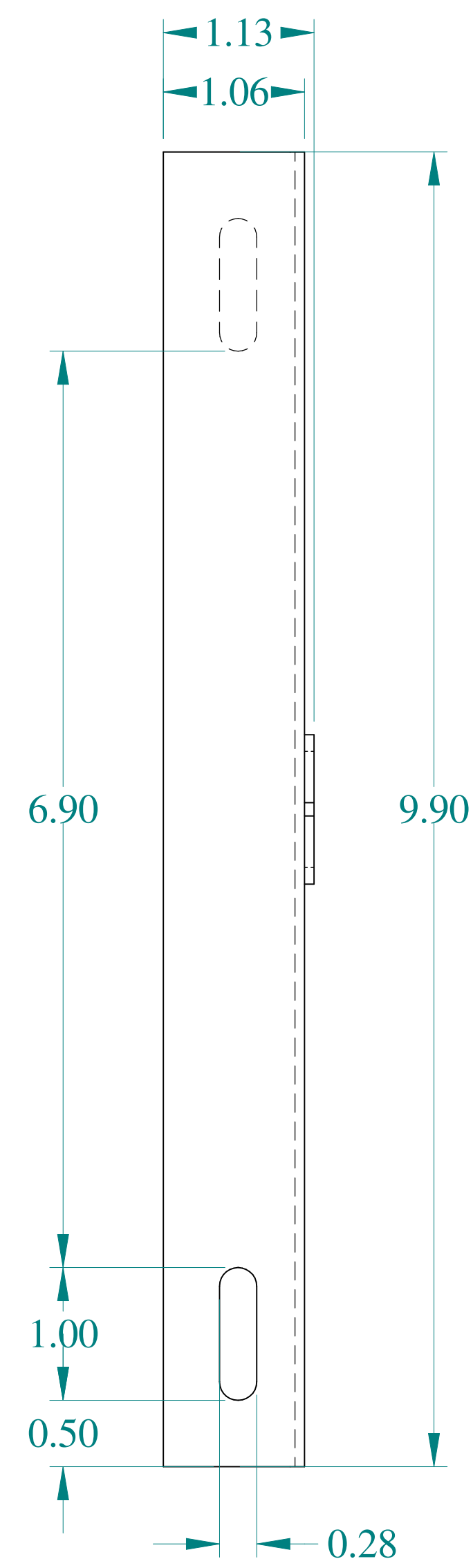
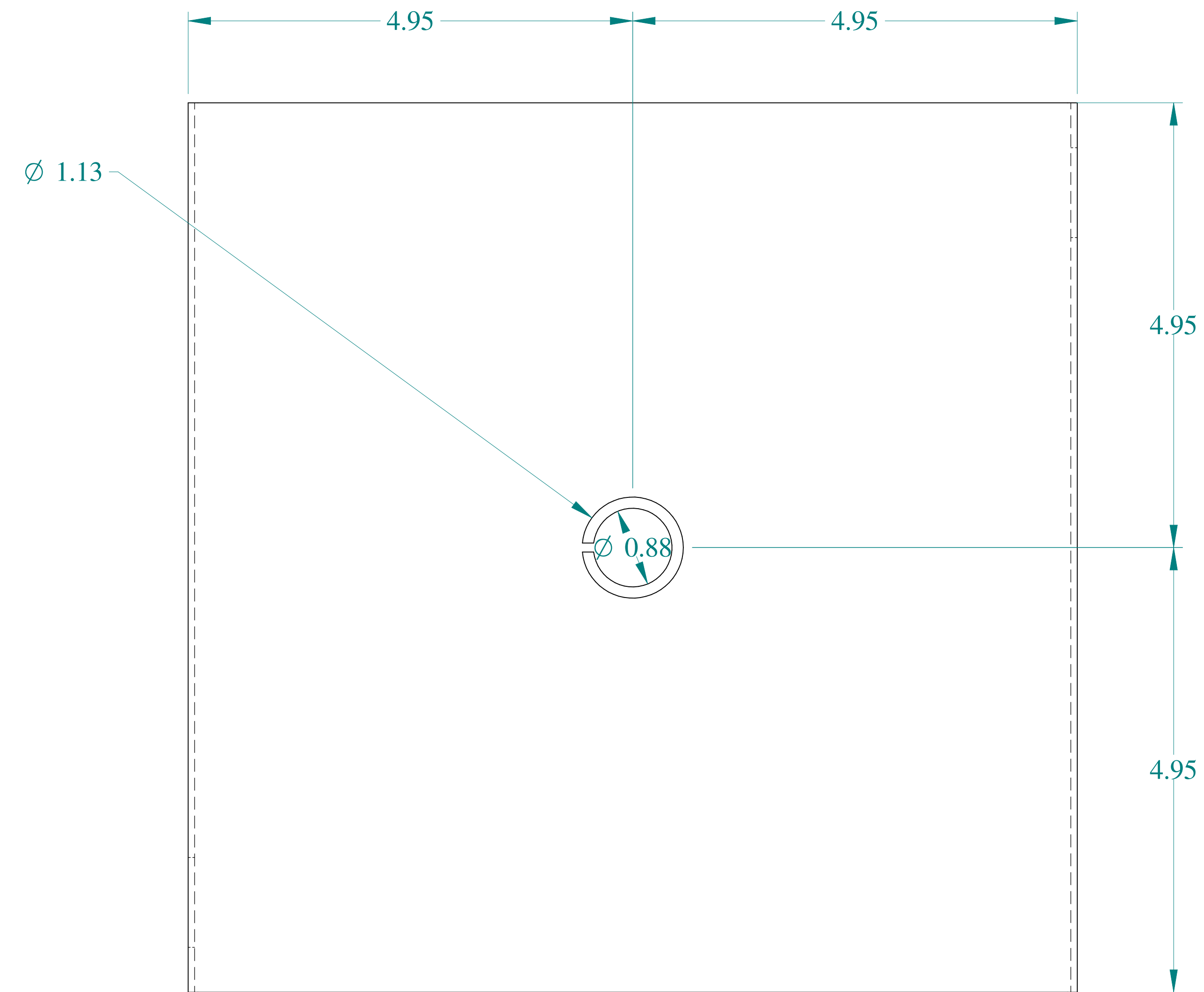


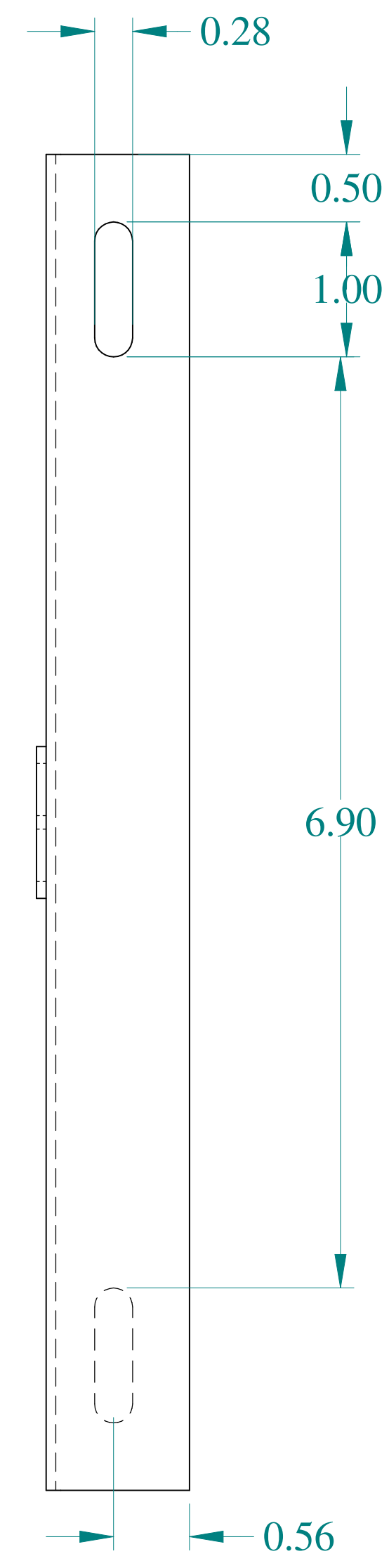
TOP VIEW



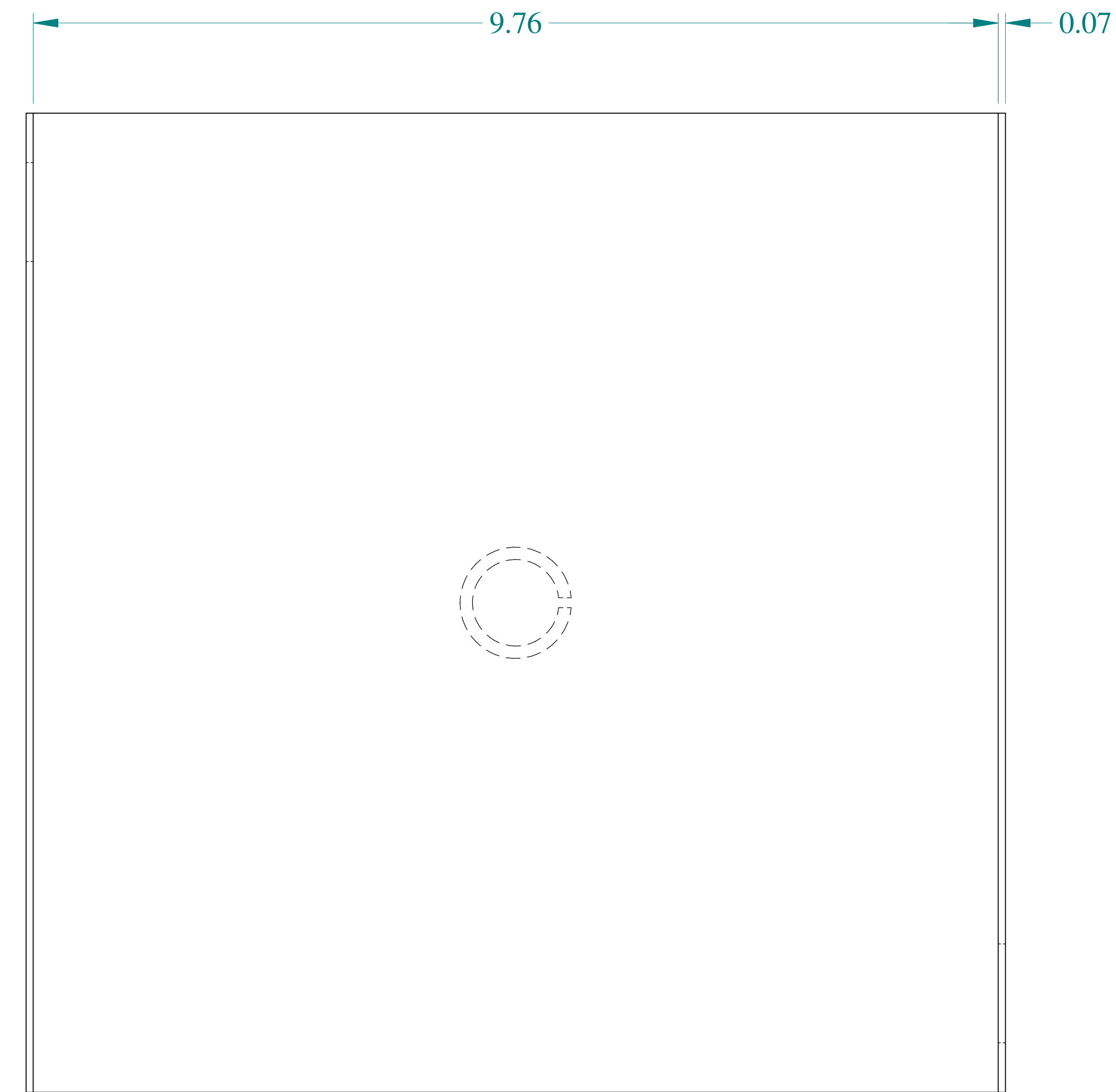
SIDE VIEW



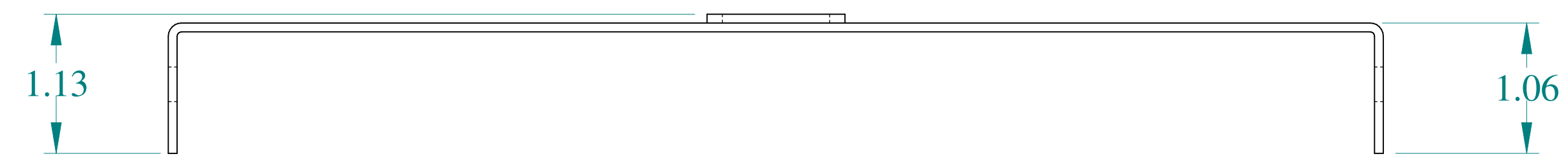
FRONT VIEW



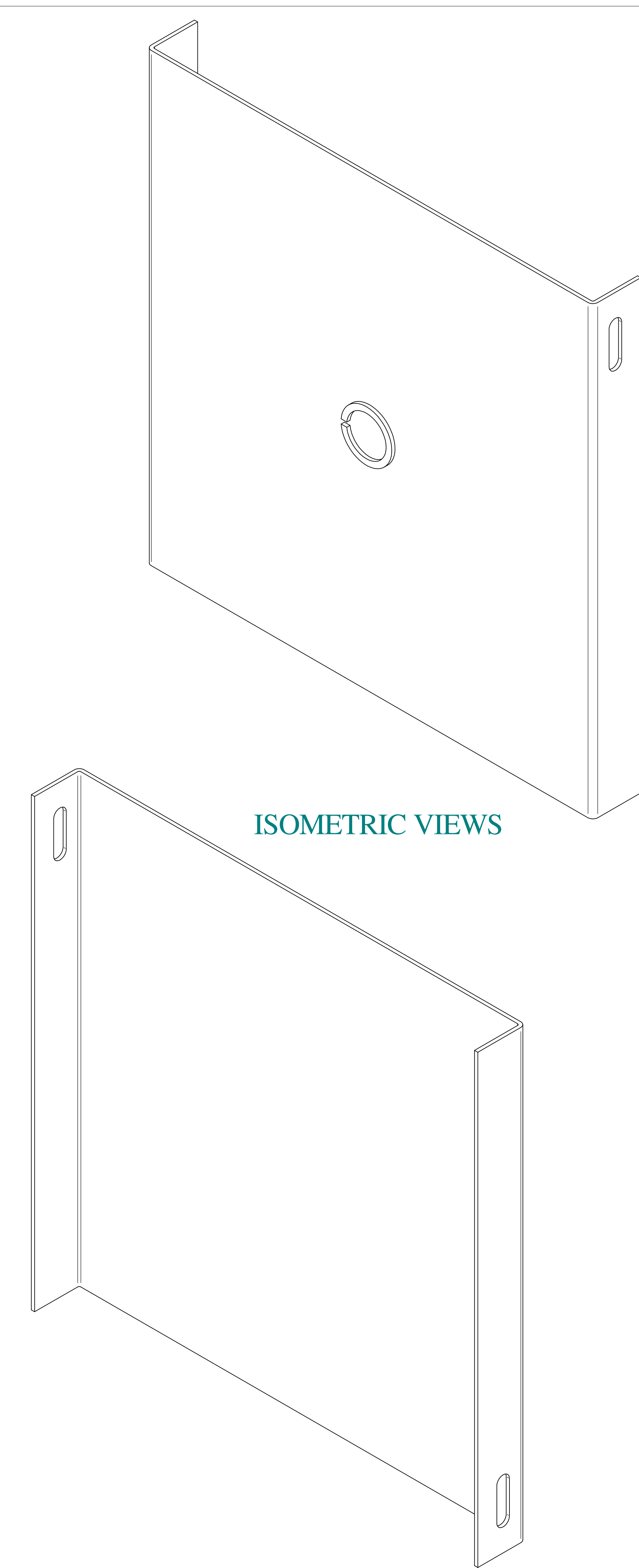
SIDE VIEW



BACK VIEW



BOTTOM VIEW



ISOMETRIC VIEWS



HAMMOND  
MANUFACTURING®

www.hammondmfg.com

Data subject to change without notice.

Part # : CWCP10

Date : Mar. 22, 2019

Link: [www.hammg.com/CWCP10](http://www.hammg.com/CWCP10)