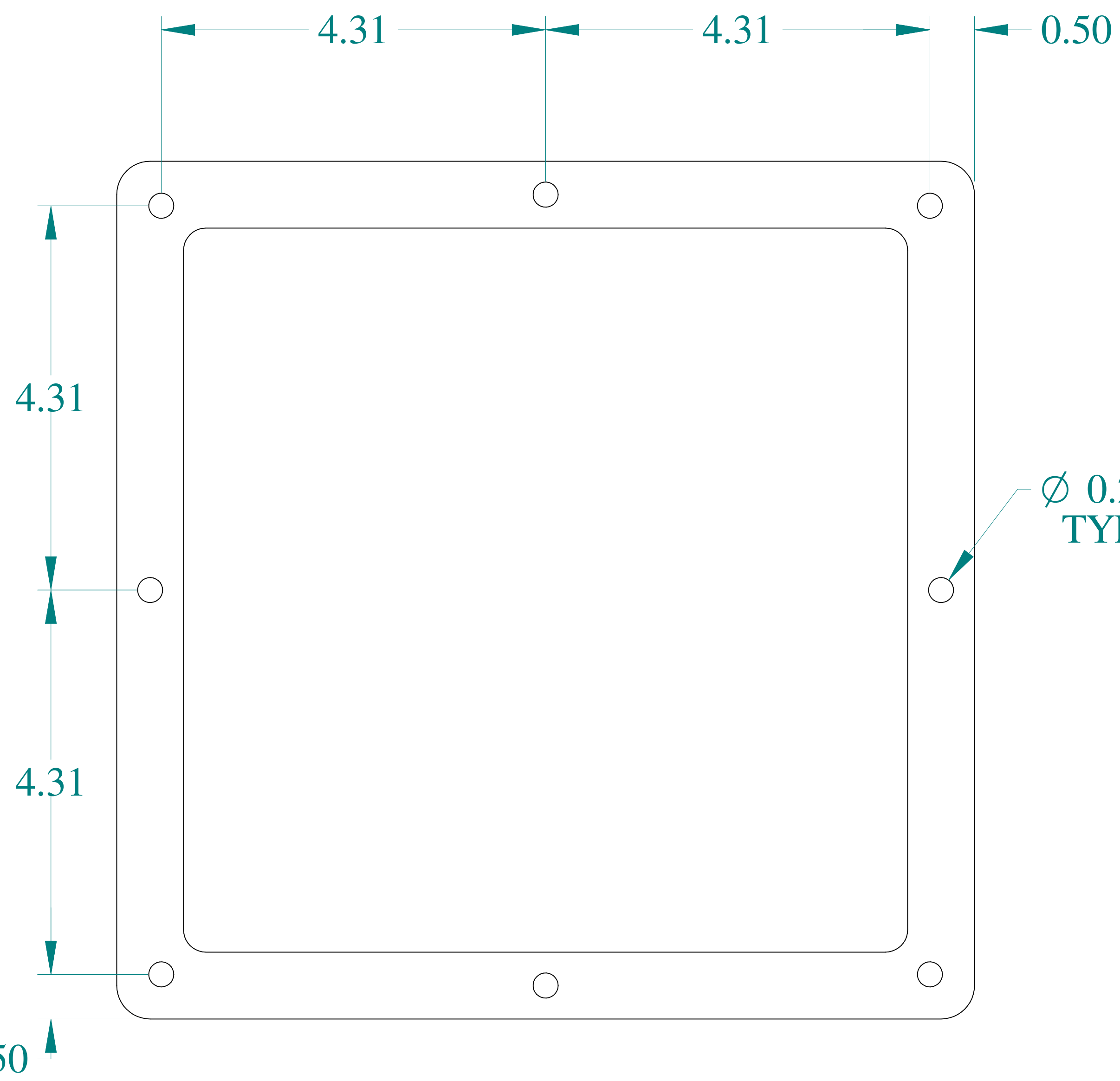
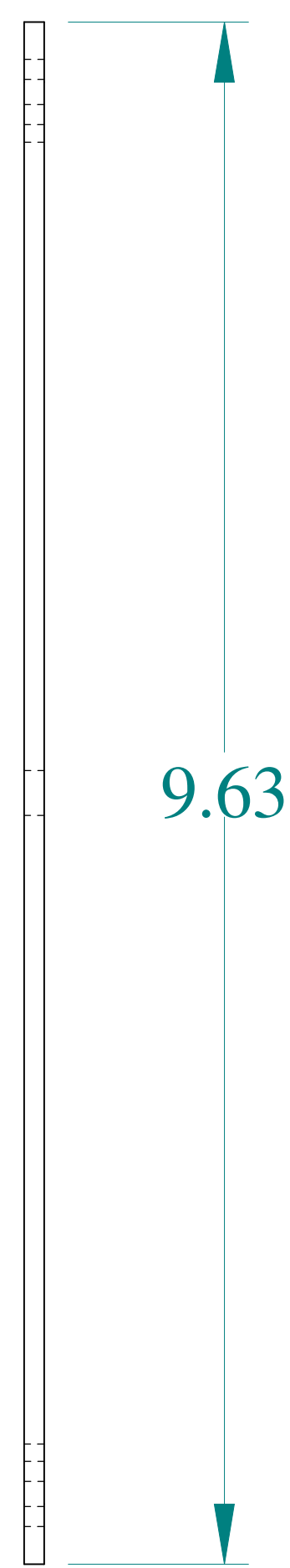


TOP VIEW

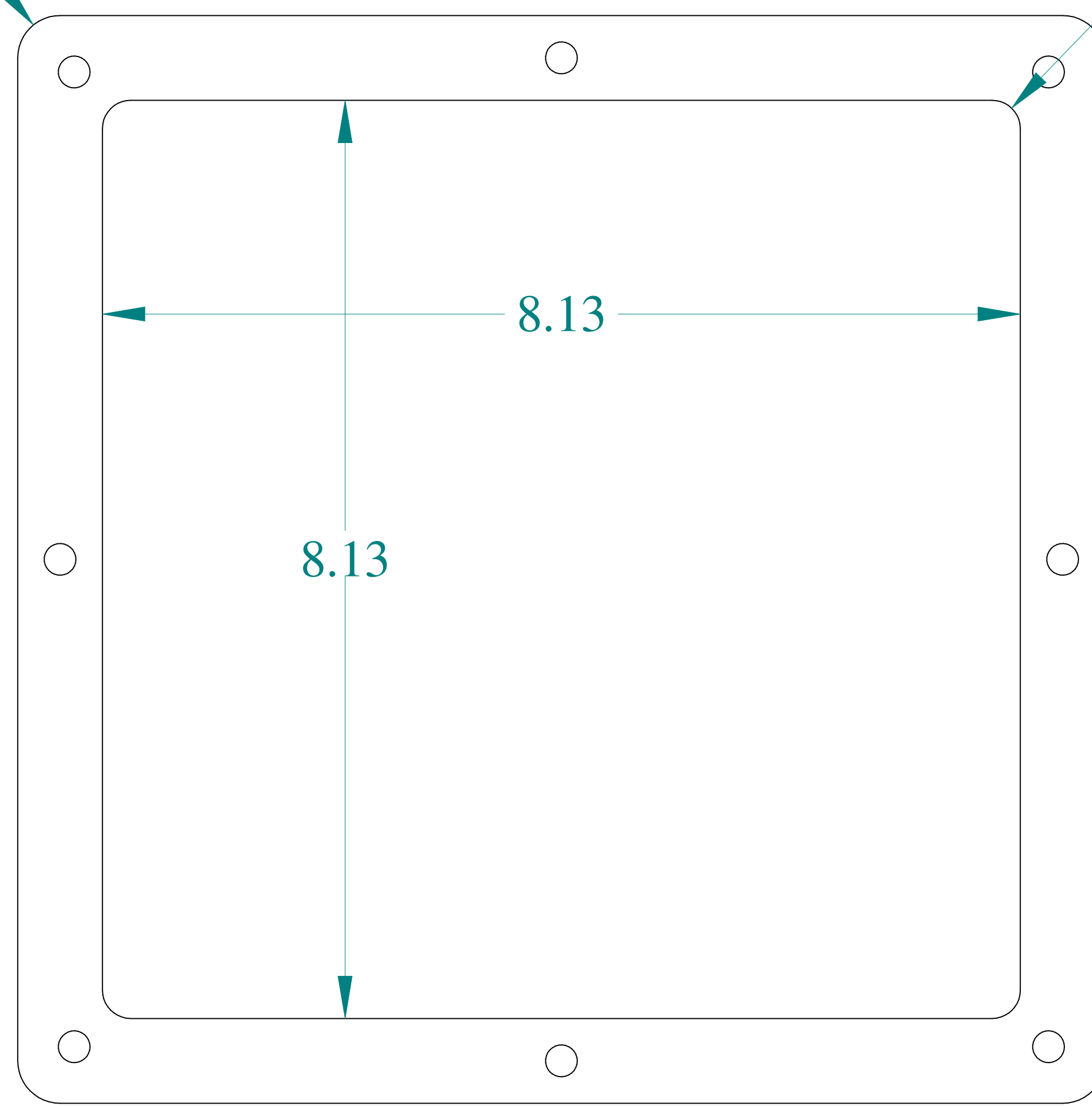


FRONT VIEW



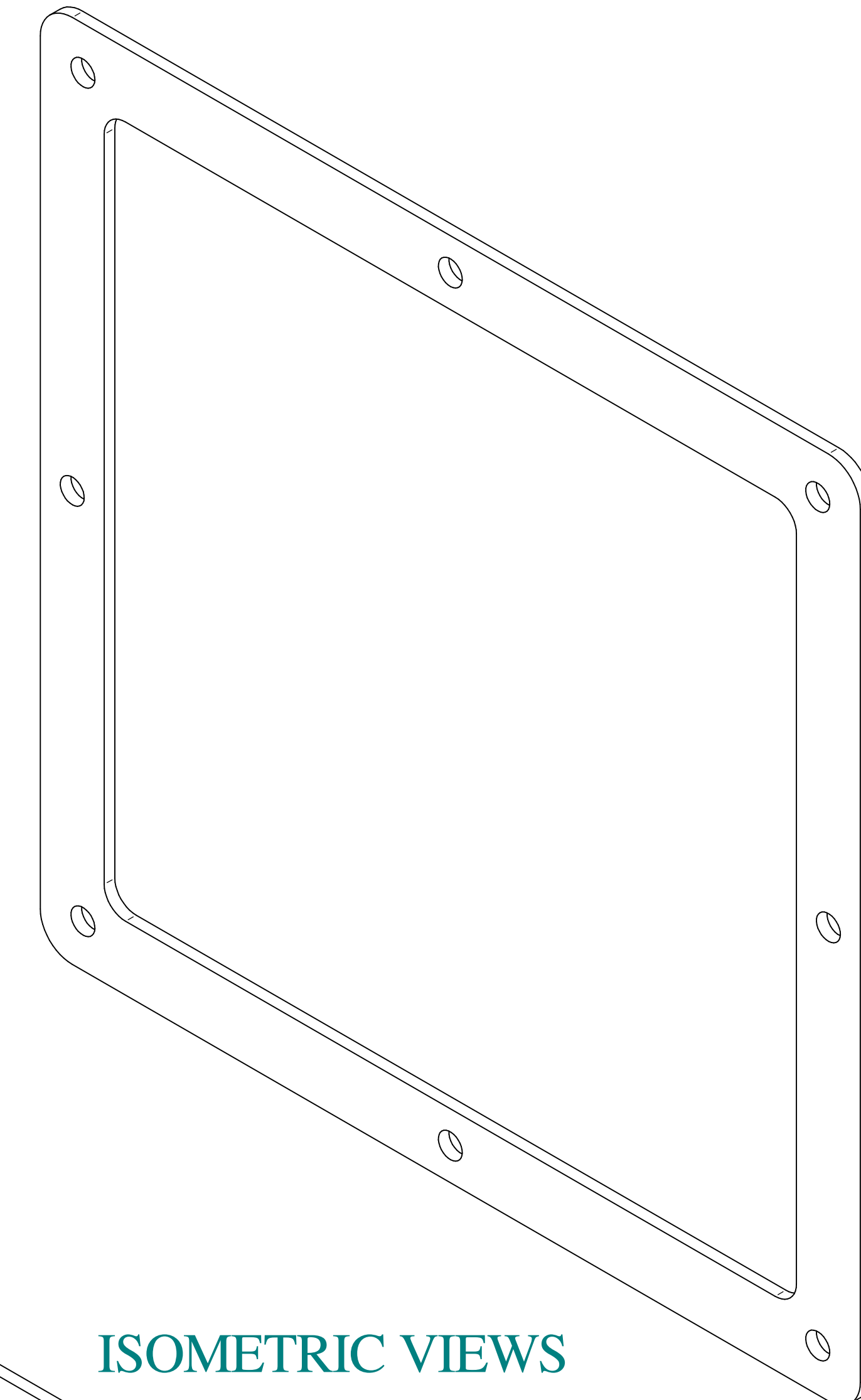
SIDE VIEW

R 0.38
TYP

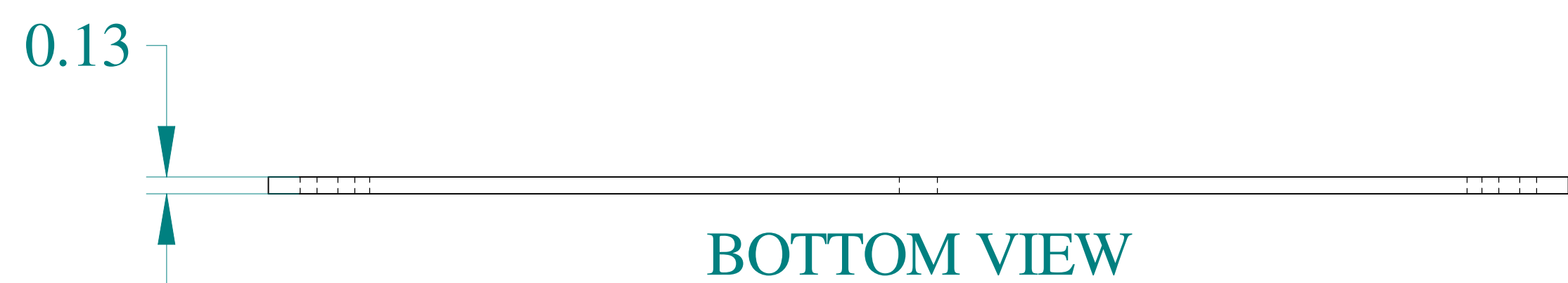
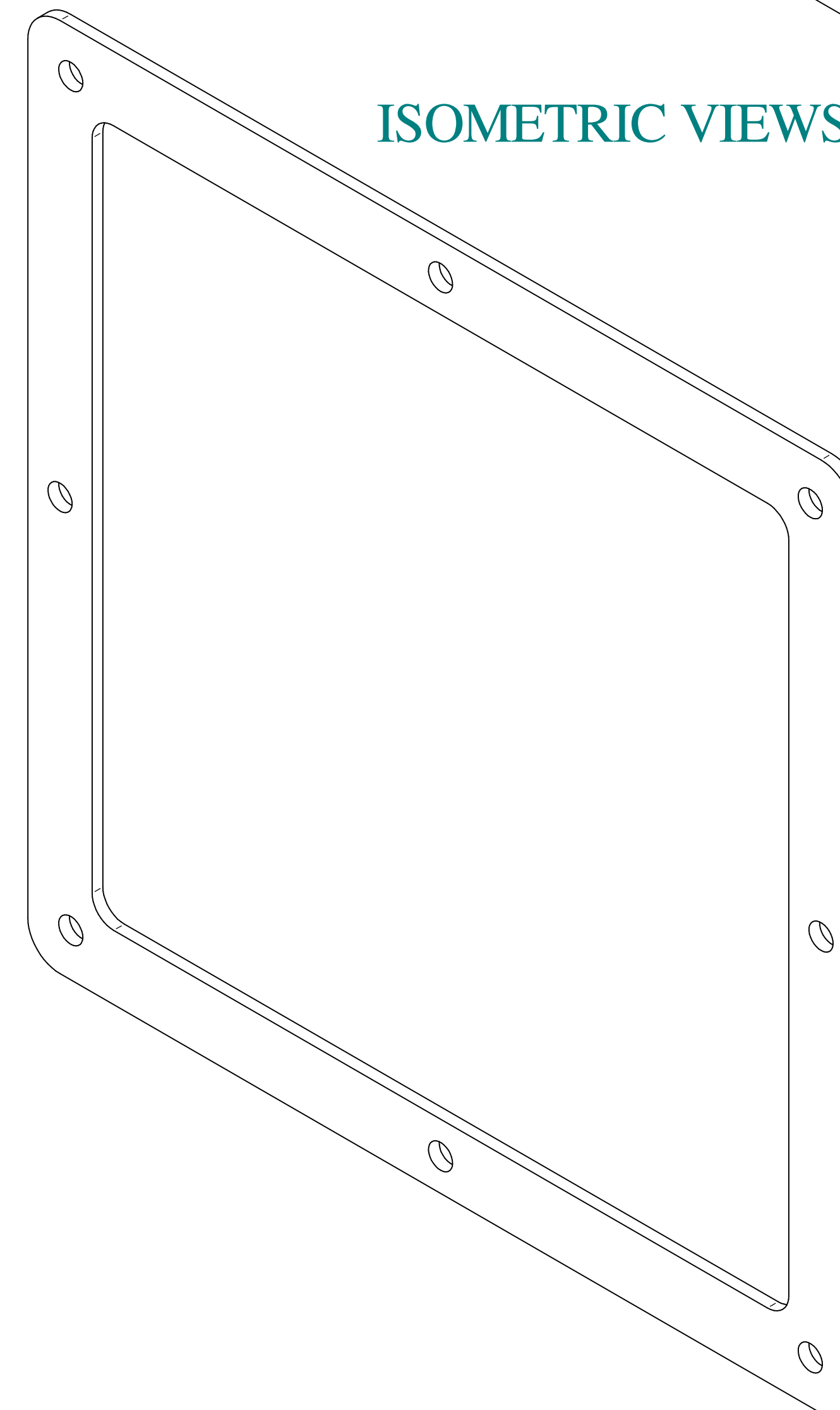


BACK VIEW

R 0.25
TYP



ISOMETRIC VIEWS



BOTTOM VIEW

HM **HAMMOND MANUFACTURING®**
W www.hammondmfg.com

Data subject to change without notice.

Part #: 1485EK Date: Mar. 24, 2019
Link:www.hammg.com/1485EK