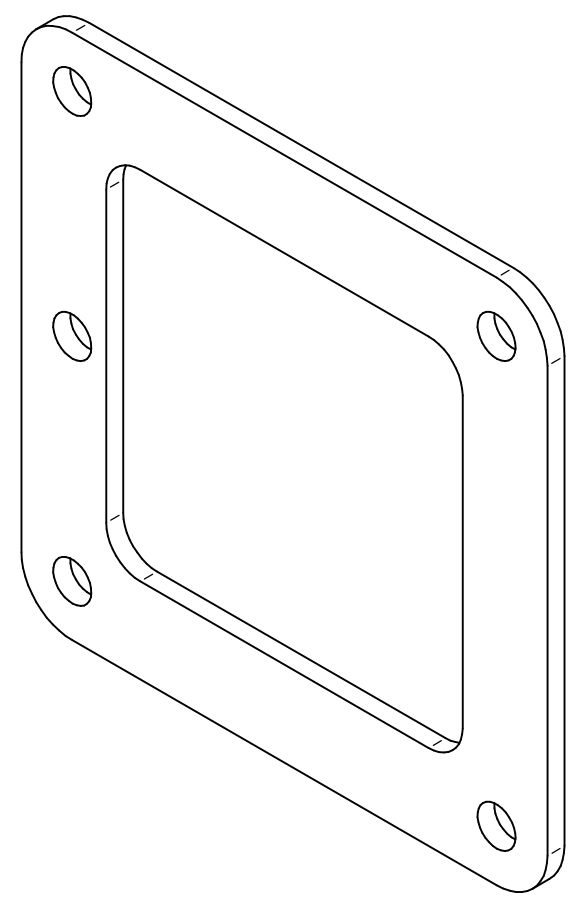
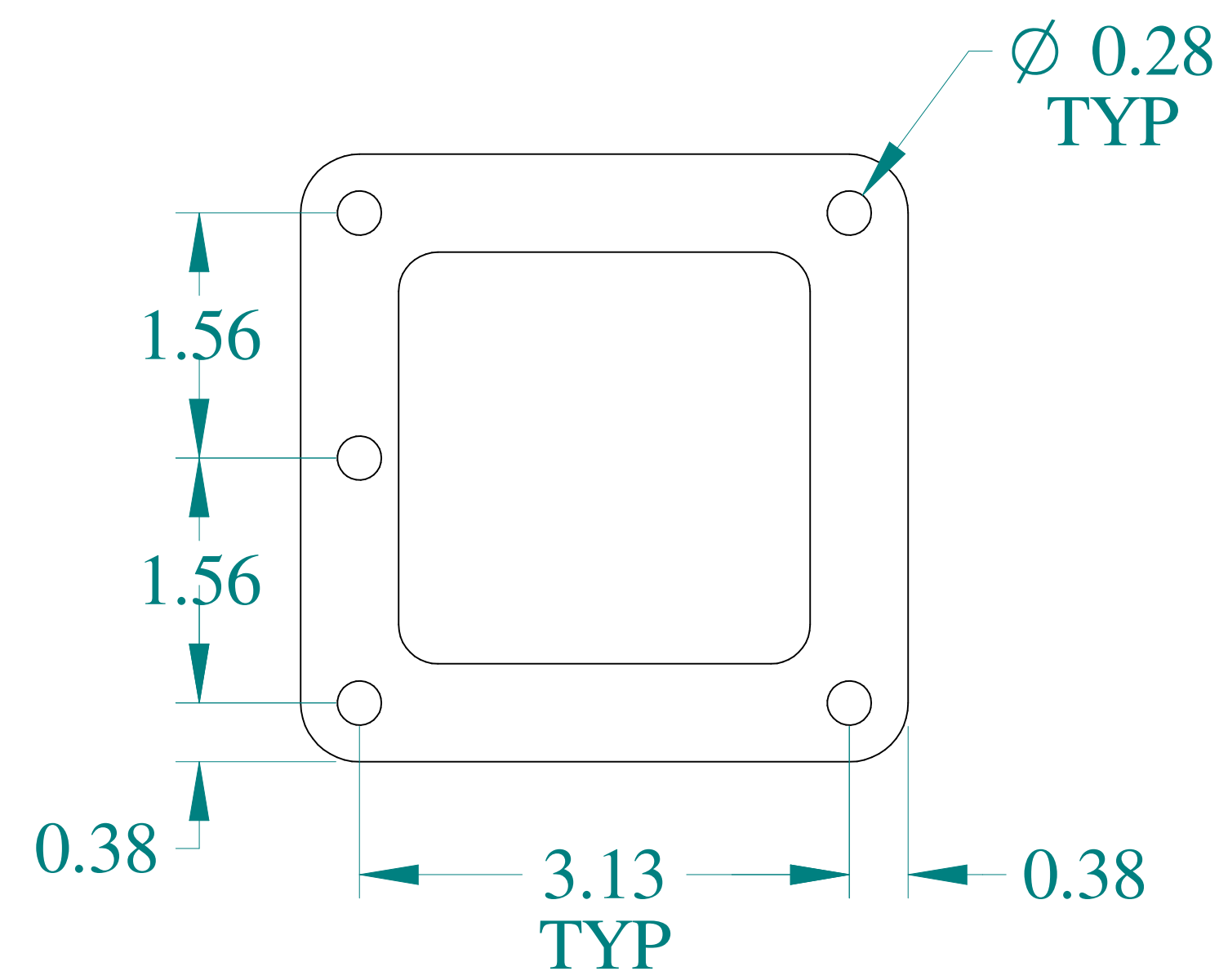
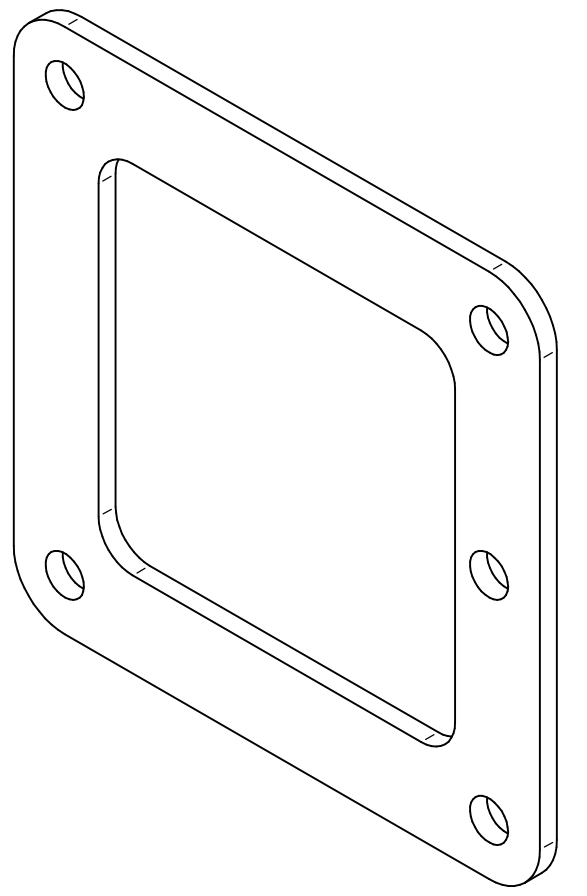


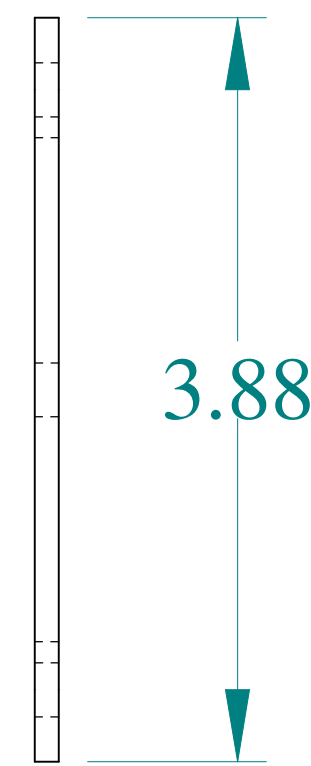
TOP VIEW



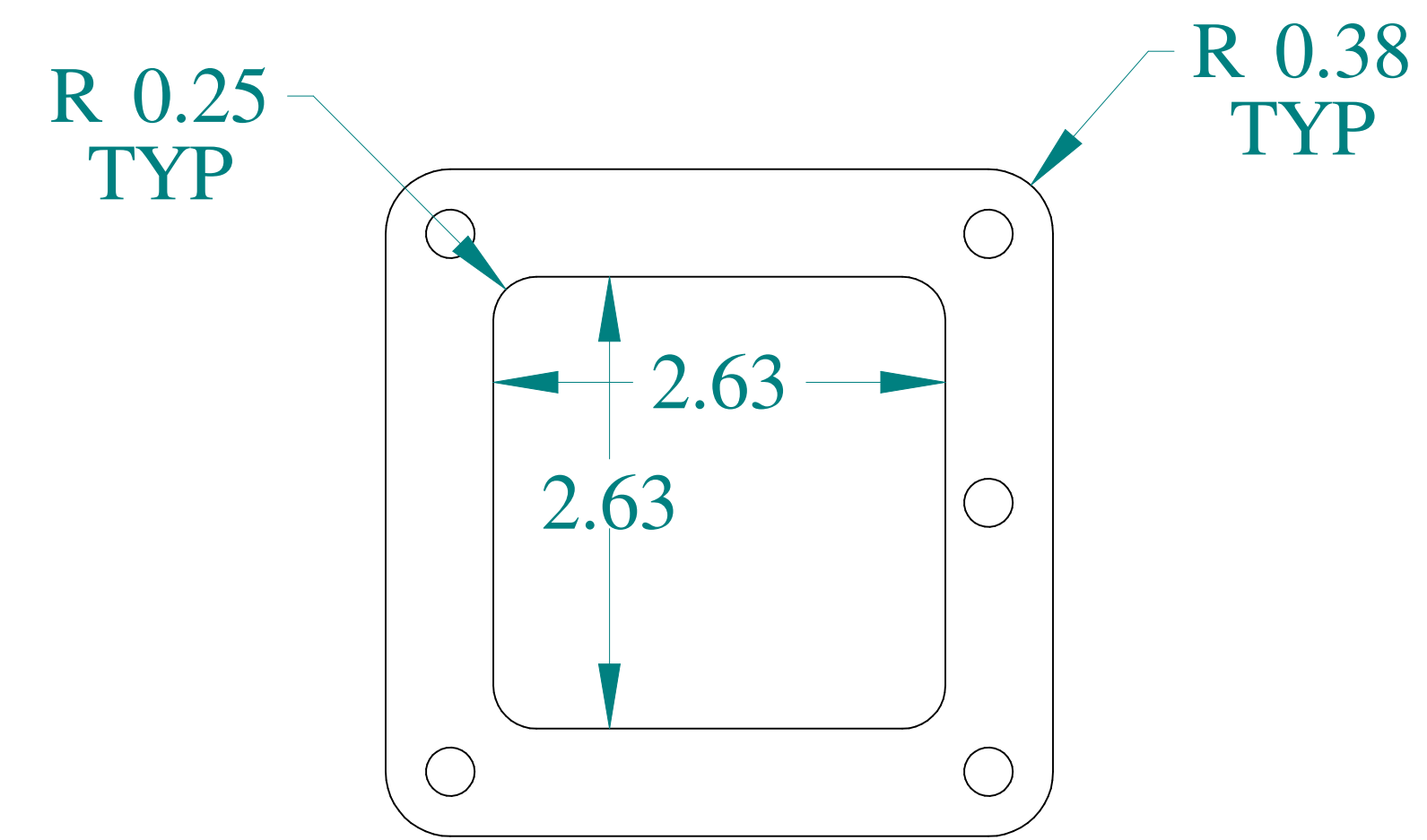
ISOMETRIC VIEWS



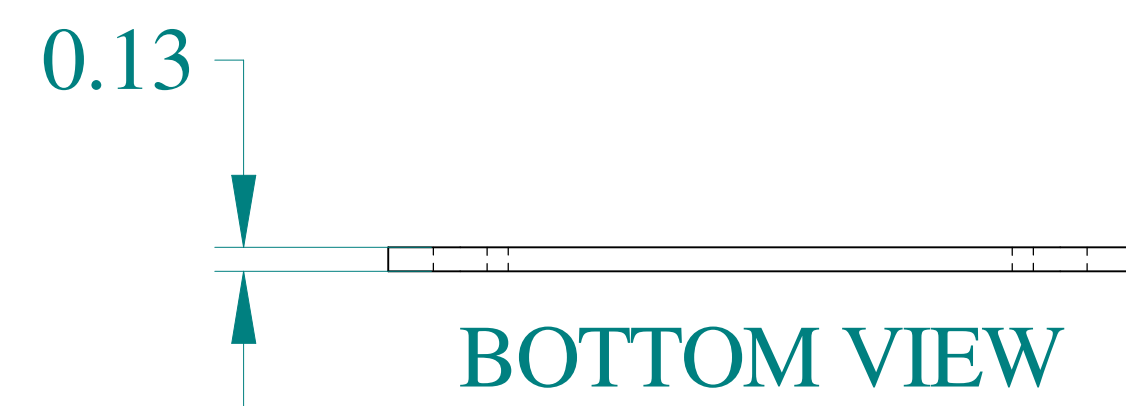
FRONT VIEW



SIDE VIEW



BACK VIEW



BOTTOM VIEW