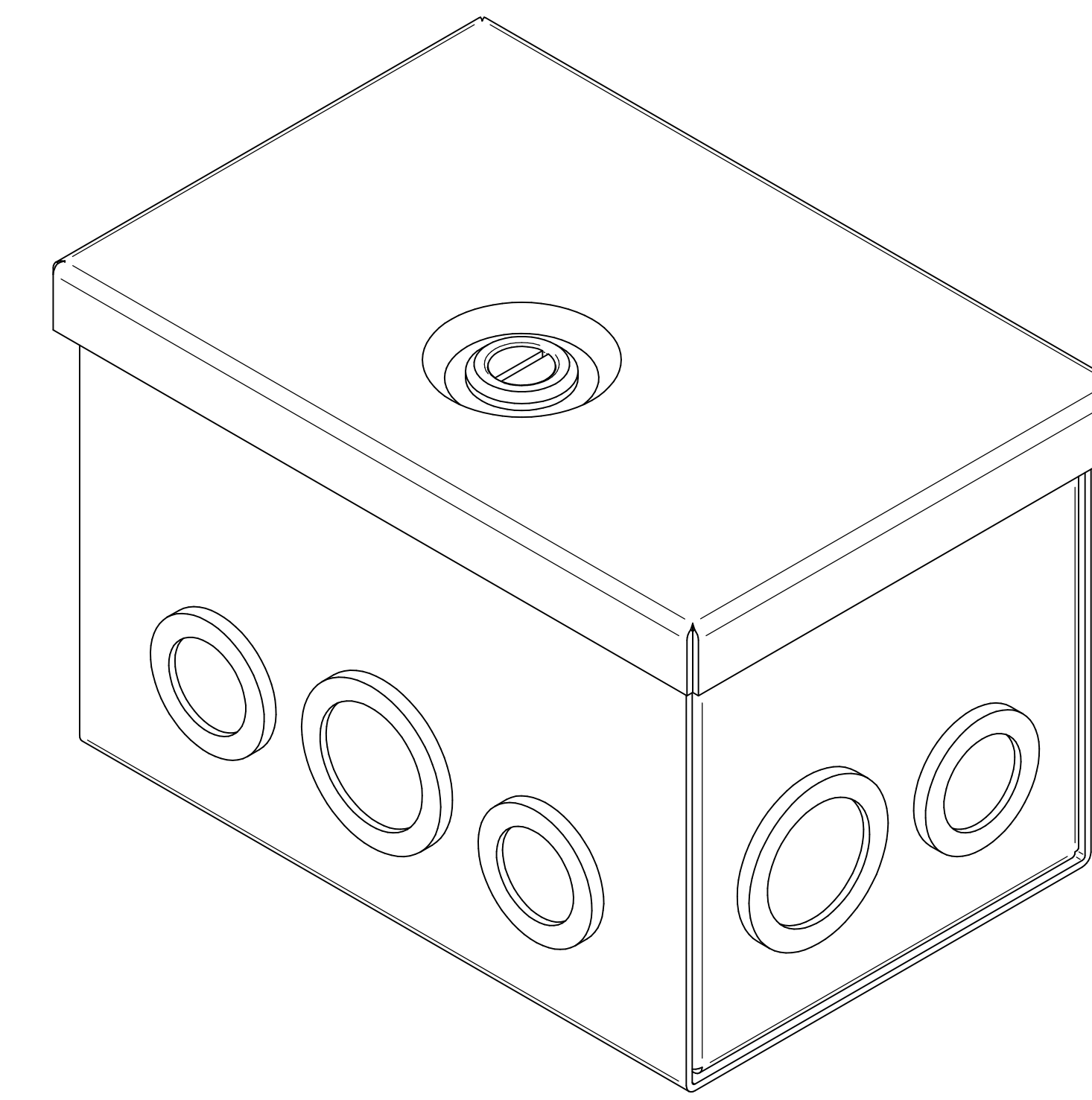
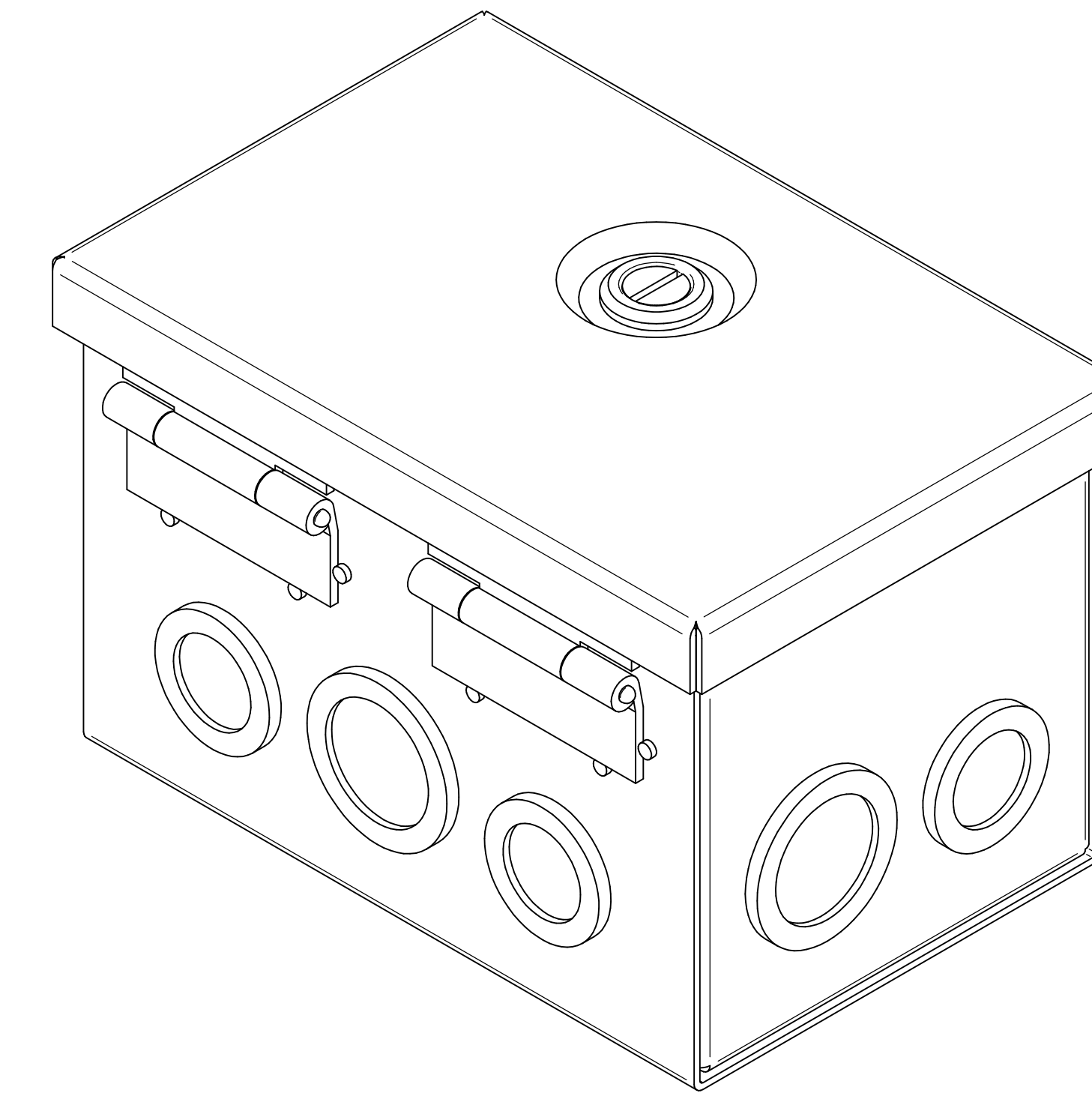
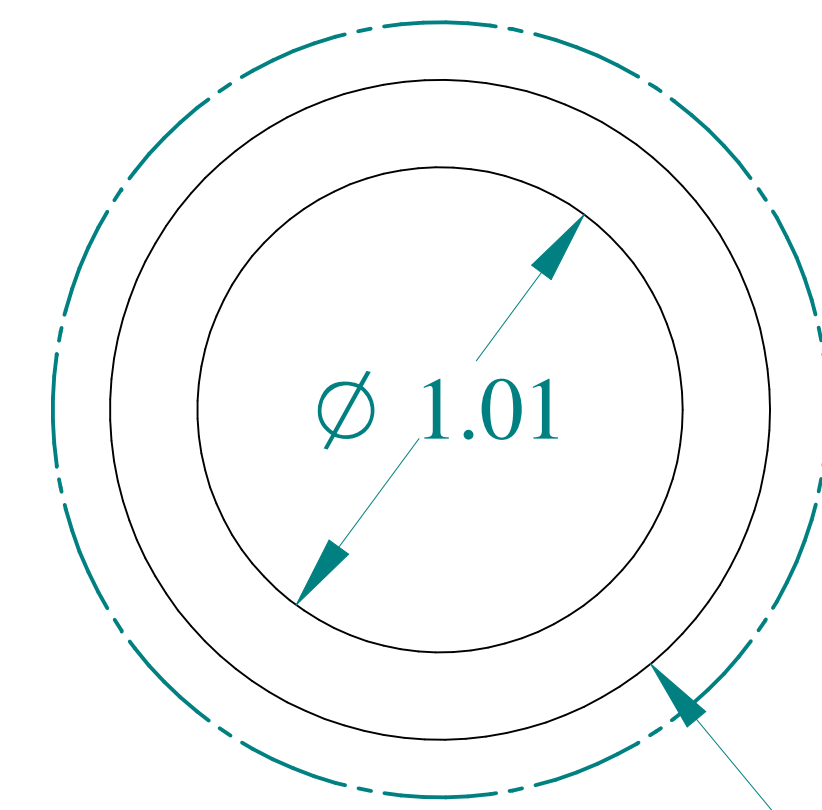


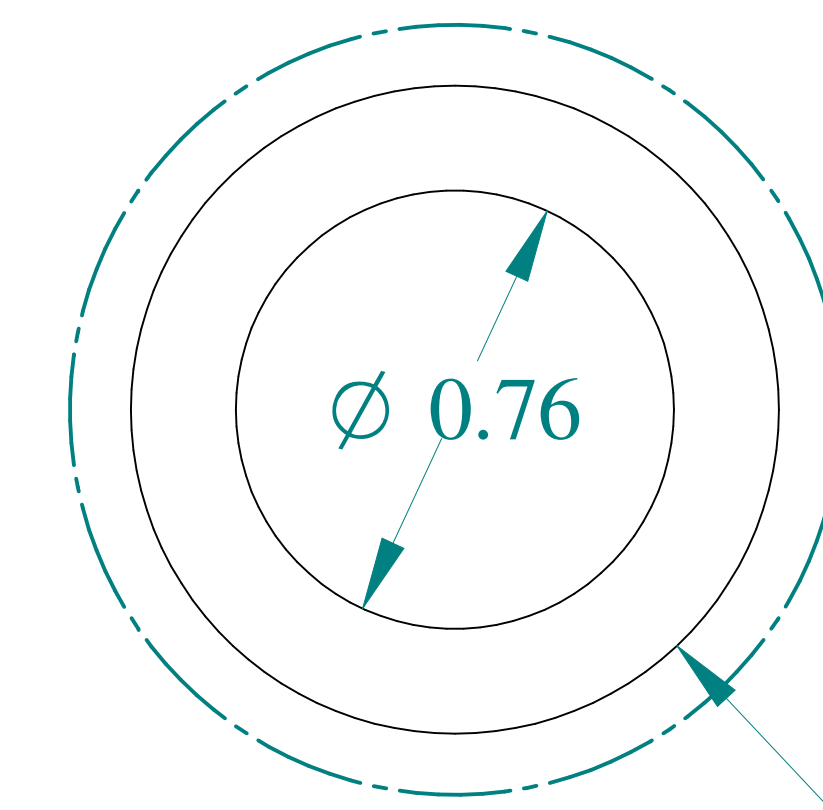
TOP VIEW



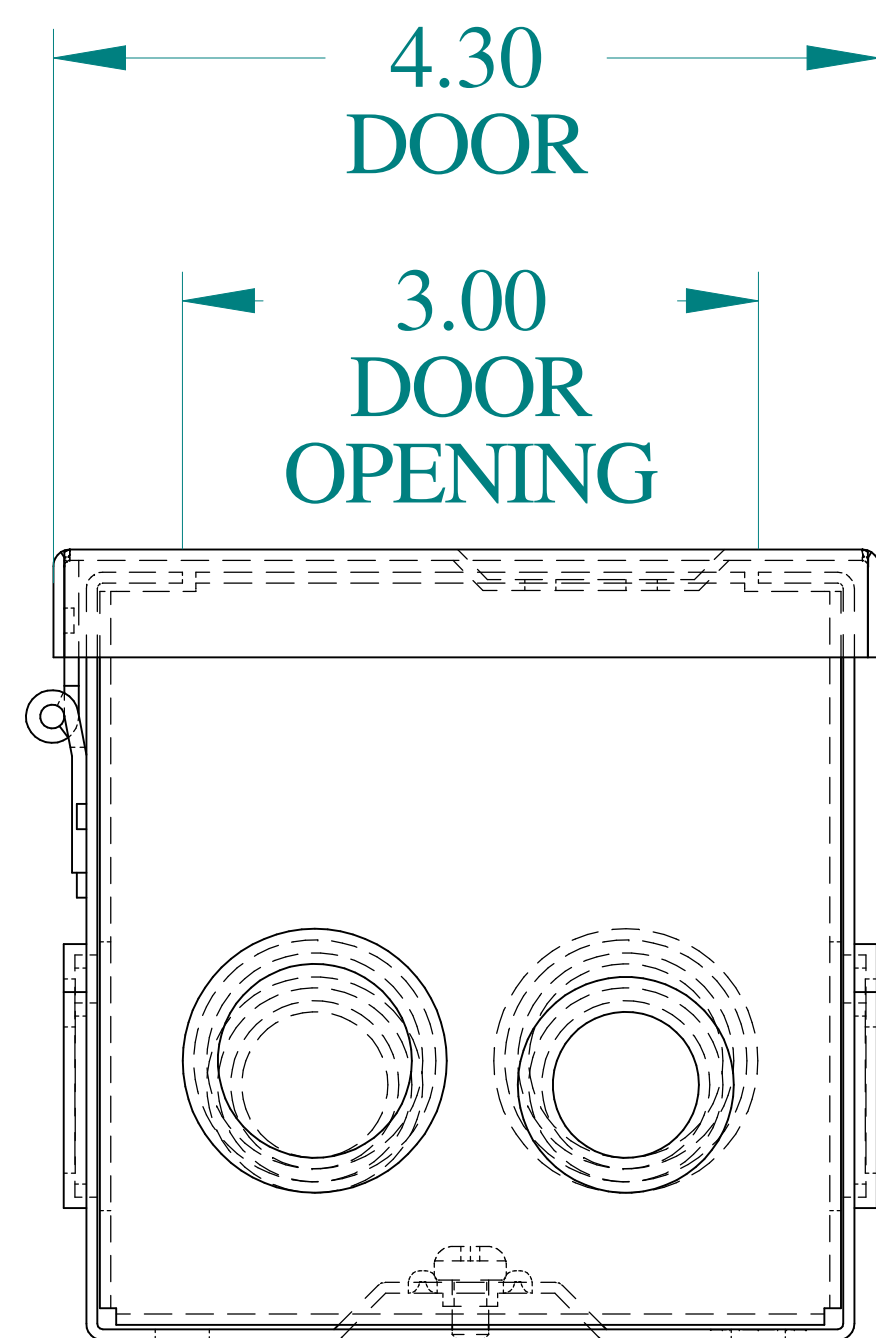
ISOMETRIC VIEWS



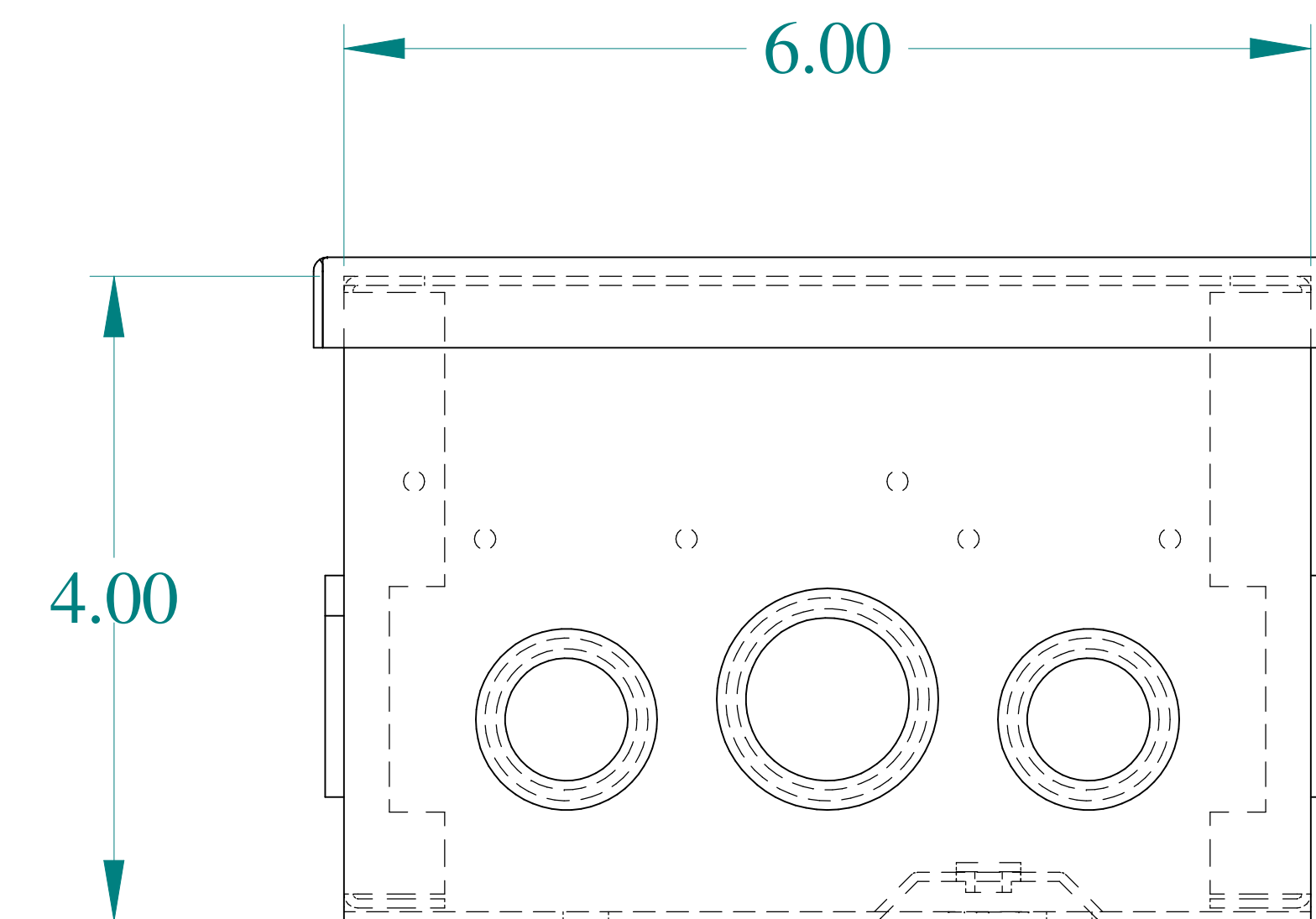
DETAIL Z
TYP



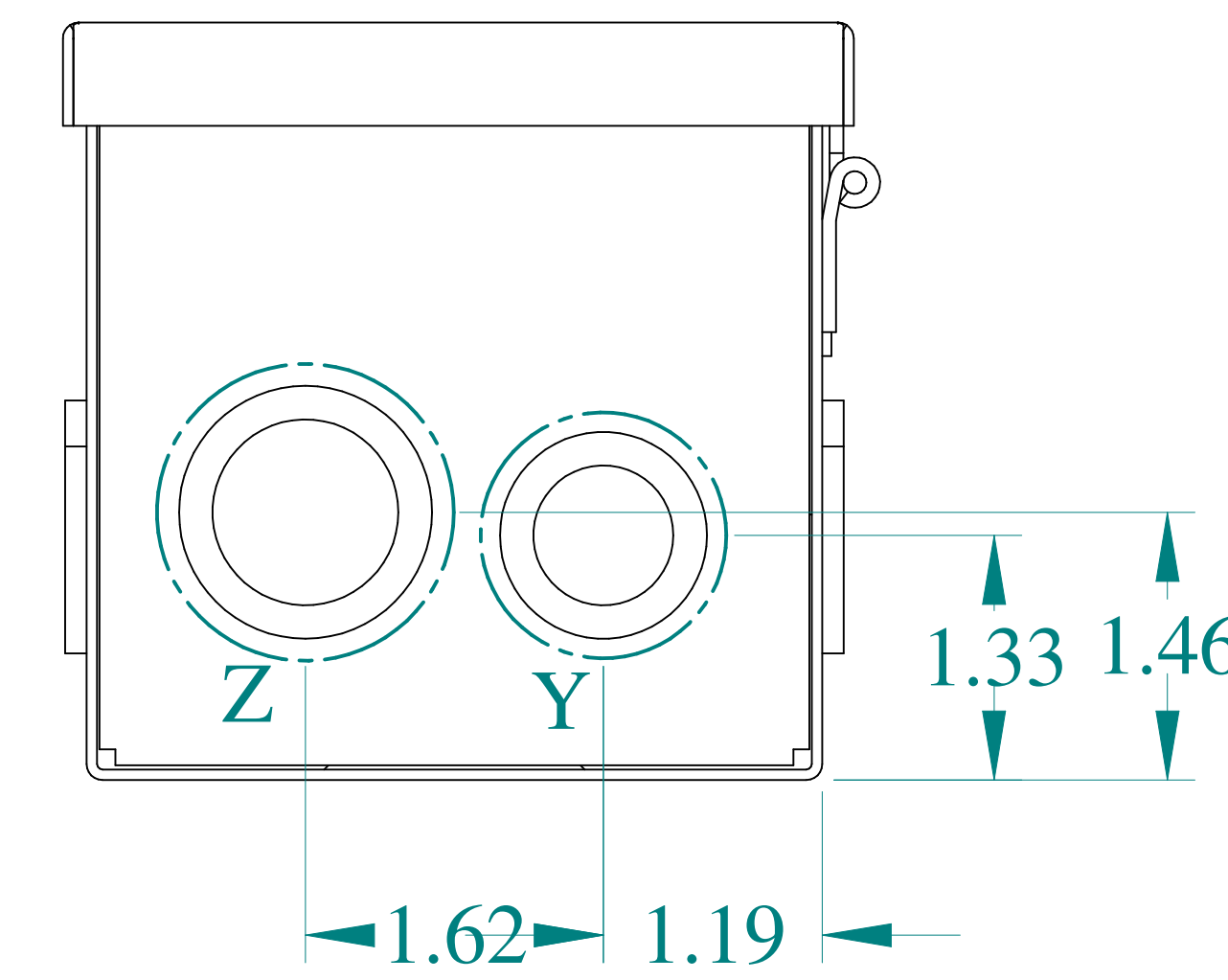
DETAIL Y
TYP



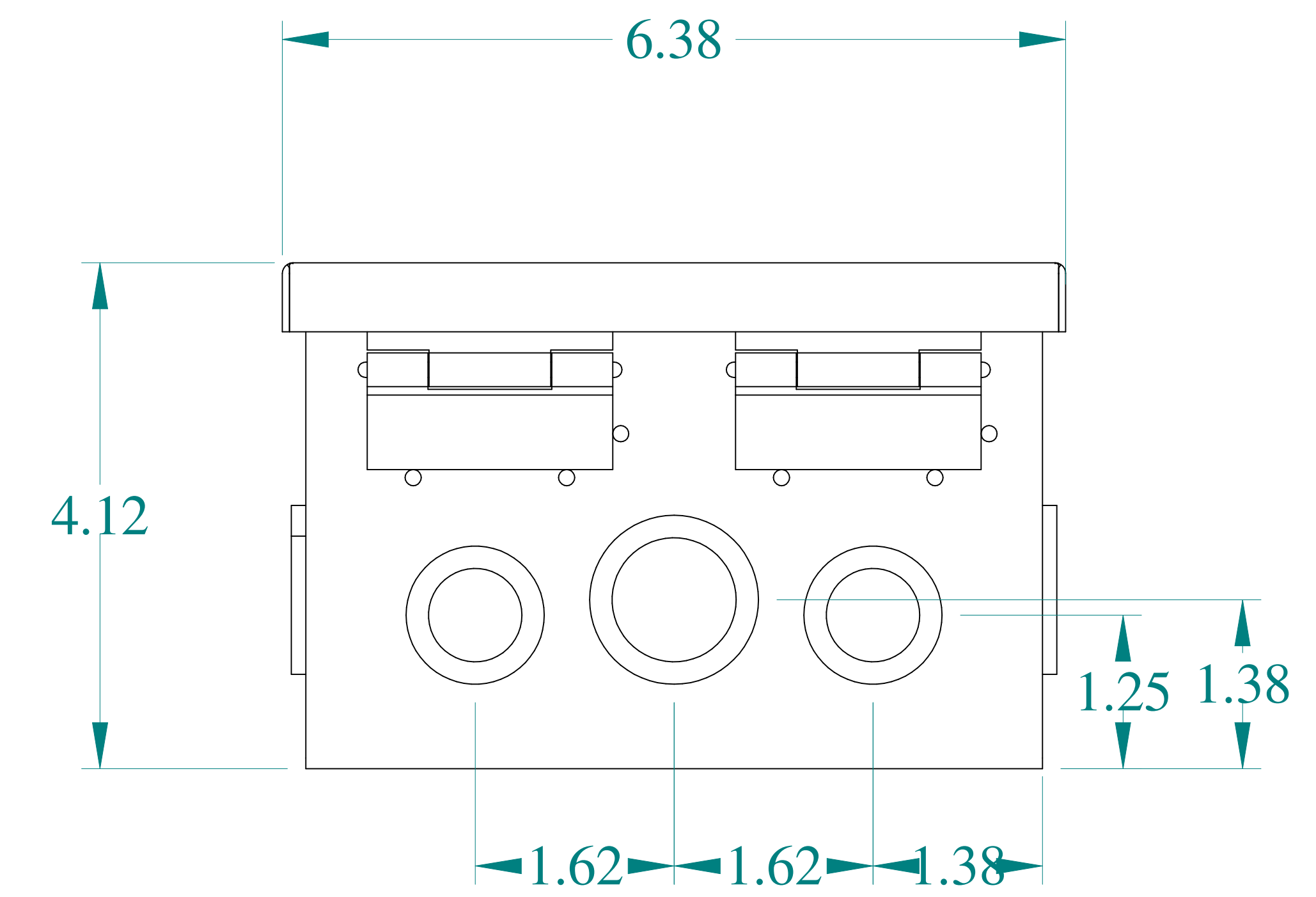
SIDE VIEW



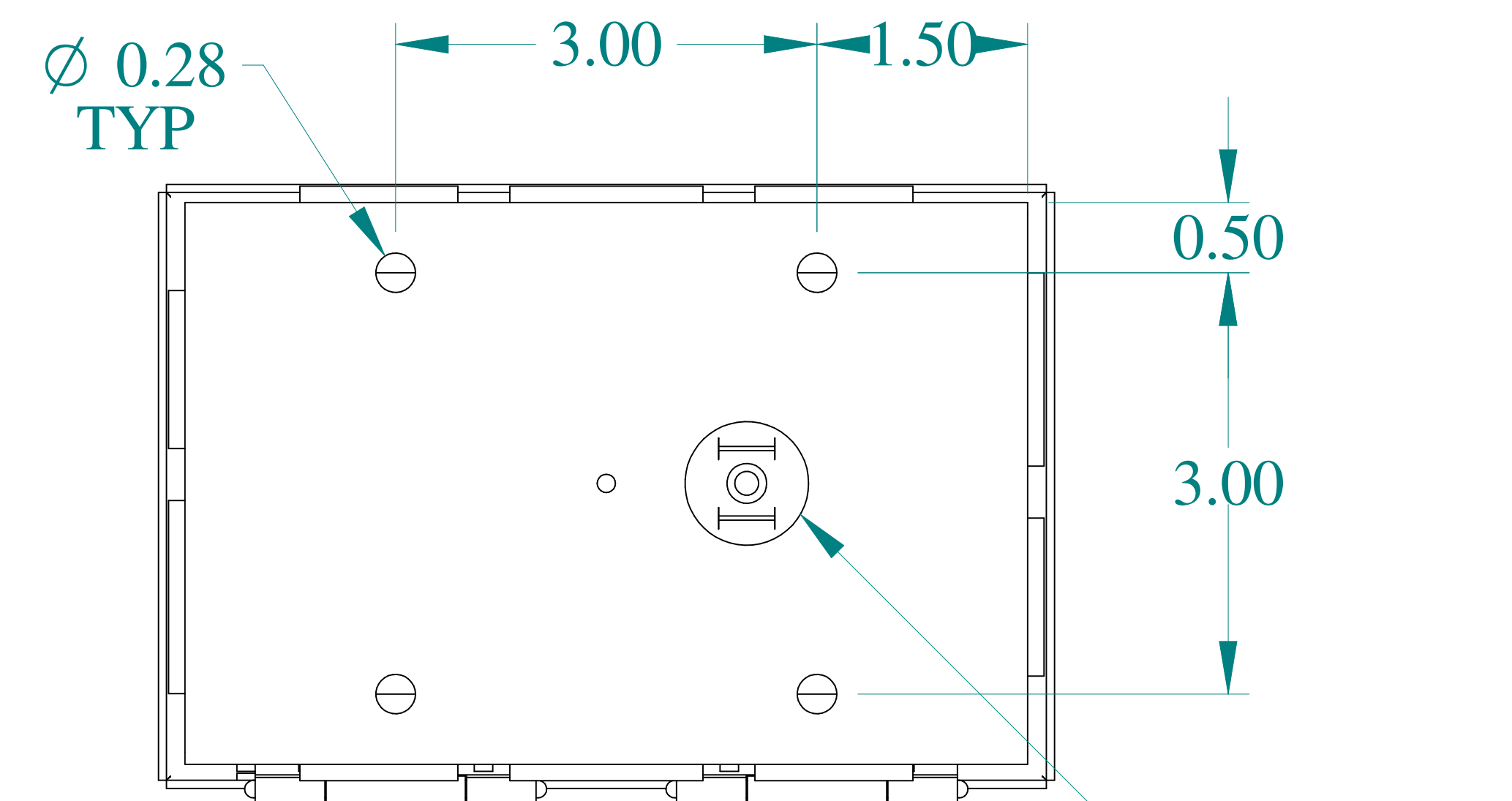
FRONT VIEW



SIDE VIEW



BACK VIEW



BOTTOM VIEW

GROUNDING
EMBOSS



Data subject to change without notice.

Part # : CHKO644

Date : Mar. 23, 2019

Link: www.hammg.com/CHKO644