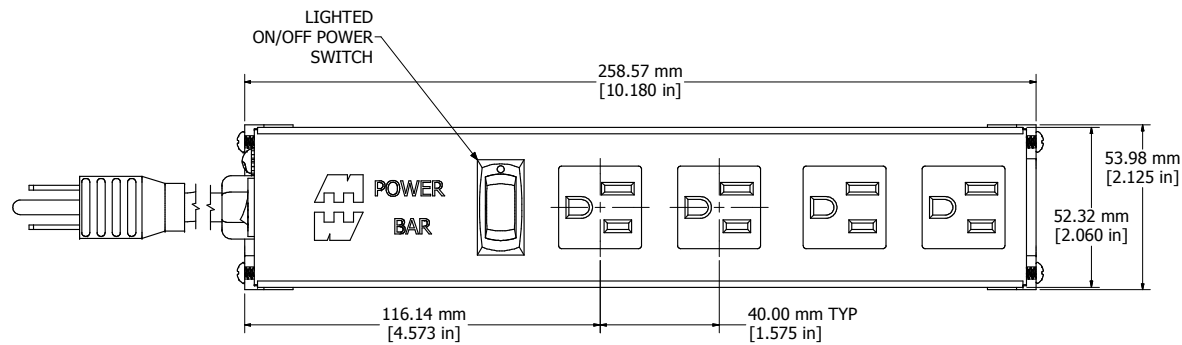
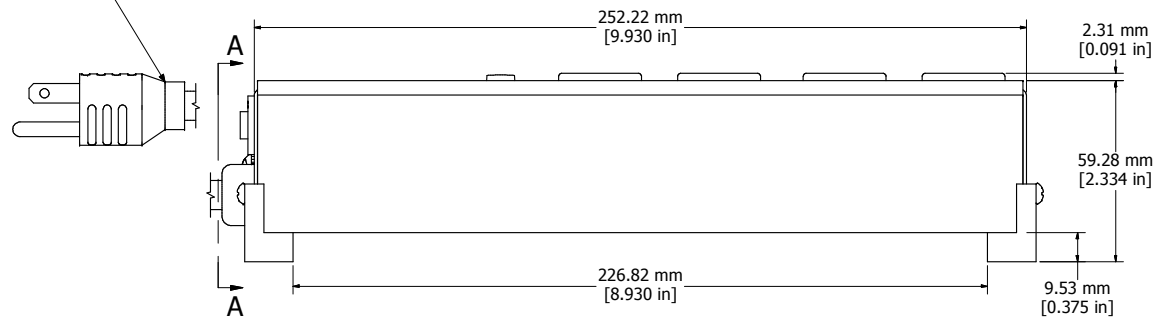


8 7 6 5 4 3 2 1

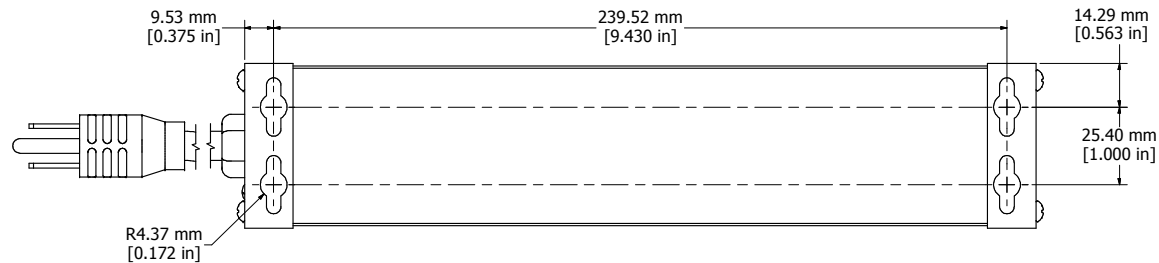


ASSEMBLY - VIEW FROM TOP

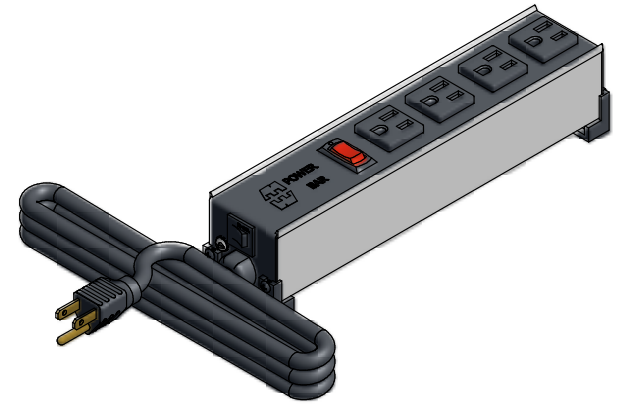
15' FOOT POWER CORD (NEMA 5-15P)



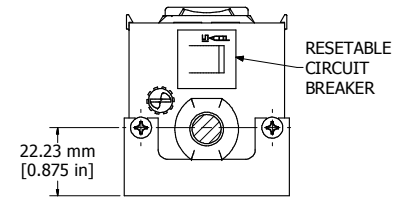
ASSEMBLY - VIEW FROM SIDE



ASSEMBLY - VIEW FROM BOTTOM



ISOMETRIC VIEW



SECTION A-A

1584H4B1

Finish - Top - Black Painted Steel

Bottom - Aluminum Extrusion

Rated - 120 VAC, 60 Hz, 15 Amps

Approvals - CSA Certified Standards C22.2 (No. 21-95, 42-99)

- UL Listed, Standard UL1363



HAMMOND MANUFACTURING™

1584H4B1

www.hammondmfg.com

8 7 6 5 4 3 2 1