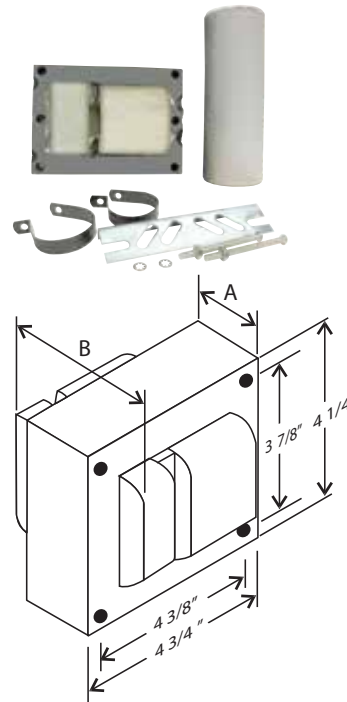


## ORDERING INFORMATION

Order code: 10055  
 Description: BMH0400/QUADTAP/C/CWA/H/K/STD  
 UPC: 69549100558

## SPECIFICATIONS

Ballast type: Magnetic metal halide  
 Ballast style: Core and coil  
 Circuit type: CWA  
 ANSI code: M59  
 Input voltage (V): 120/208/240/277  
 Input frequency (Hz): 60  
 Line volt regulation:  $\pm 10\%$   
 Line watt regulation:  $\pm 10\%$   
 Insulation class: H (180°)



4 1/4" x 4 3/4" Core



Input voltage (V)	Operating current (A)	Open circuit current (A)	Starting current (A)	Rated lamp watts (W)	Input watts (W)	OCV (V)	Dropout voltage (V)	UL 1029 code	Fuse rating (A)	Input current (A)	Power factor	Starting temperature
120	4.00	3.60	2.90	400	458	300	60	D	10	2.25 - 3.00	0.90	-20°F / -30°C
208	2.30	2.10	1.65	400	458	300	104	E	7	1.22 - 1.75	0.90	-20°F / -30°C
240	2.00	1.80	1.45	400	458	300	120	E	5	1.10 - 1.50	0.90	-20°F / -30°C
277	1.70	1.55	1.25	400	458	300	140	E	5	0.95 - 1.30	0.90	-20°F / -30°C

## HIGH POTENTIAL TEST (V)

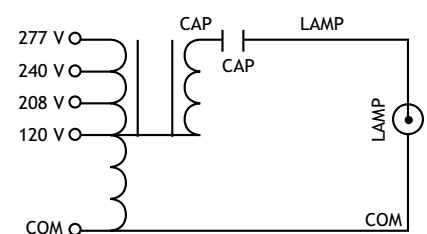
1 minute:	2 000
2 seconds:	2 500
OCV test:	270 - 330
Short circuit:	3.40 - 4.20

## BALLAST DIMENSIONS

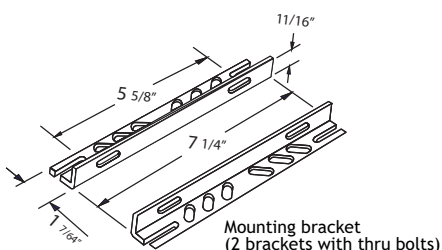
Dimension A:	2.00"
Dimension B:	3.70"
Lead Lengths:	12.00"
Weight (lbs):	13.00

## WIRING DIAGRAM

Ground ballast core



## BRACKET



## CAPACITOR

