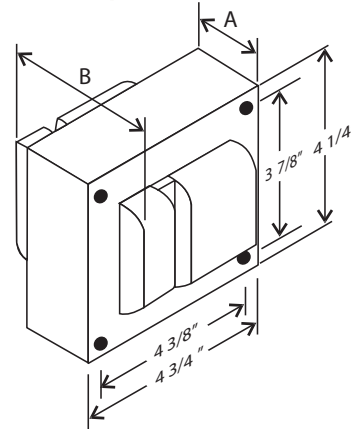


ORDERING INFORMATION

Order code: 10043
 Description: BHPS0400/347/480/600/C/CWI/H/K
 UPC: 69549100435

SPECIFICATIONS

Ballast type: Magnetic high pressure sodium
 Ballast style: Core and coil
 Circuit type: CWI
 ANSI code: S51
 Input voltage (V): 347/480/600
 Input frequency (Hz): 60
 Line volt regulation: $\pm 10\%$
 Line watt regulation: Within trapezoid
 Insulation class: H (180°)



4 1/4" x 4 3/4" Core



Input voltage (V)	Operating current (A)	Open circuit current (A)	Starting current (A)	Rated lamp watts (W)	Input watts (W)	OCV (V)	Dropout voltage (V)	UL 1029 code	Fuse rating (A)	Input current (A)	Power factor	Starting temperature
347	1.50	0.80	0.75	400	465	190	260	F	4	0.36 - 0.54	0.90	-40°F / -40°C
480	1.05	0.57	0.47	400	465	190	360	E	3	0.27 - 0.40	0.90	-40°F / -40°C
600	0.84	0.46	0.38	400	465	190	450	E	3	0.21 - 0.32	0.90	-40°F / -40°C

HIGH POTENTIAL TEST (V)

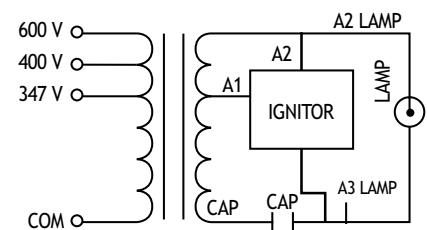
1 minute:	2 000
2 seconds:	2 500
OCV test:	170 - 210
Short circuit:	5.90 - 6.50

BALLAST DIMENSIONS

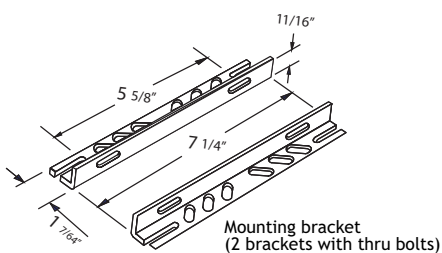
Dimension A:	2.70"
Dimension B:	4.50"
Lead Lengths:	12.00"
Weight (lbs):	17.00

WIRING DIAGRAM

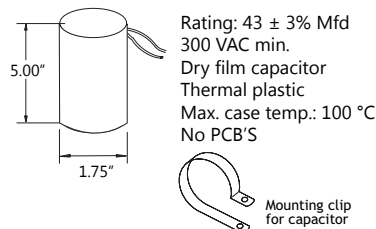
Ground ballast core



BRACKET



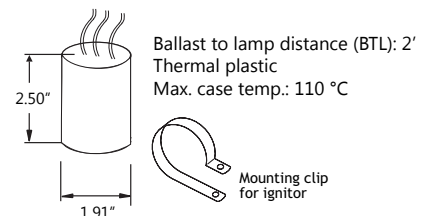
CAPACITOR



Rating: $43 \pm 3\%$ Mfd
 300 VAC min.
 Dry film capacitor
 Thermal plastic
 Max. case temp.: 100 °C
 No PCB'S



IGNITOR



Ballast to lamp distance (BTL): 2'
 Thermal plastic
 Max. case temp.: 110 °C

