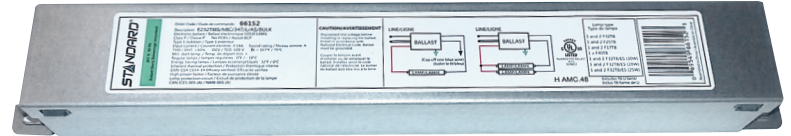


ORDERING INFORMATION

Order code: 66150
 Description: E232T8IS/MIC/347/N/AS
 UPC: 69549661509



SPECIFICATIONS

Ballast type:	Electronic	Type	1 Outdoor
Starting method:	Active Instant Start	Contains PCBs:	No
Lamp connection:	Parallel	Sound rating:	A
Power Factor Correction:	Active	Open current voltage (OCV) (V):	600
Input voltage (V):	347 V	Inherent thermal protection:	Yes
Input frequency (Hz):	60HZ	Lamp protection circuit:	Yes
Max. case temperature:	75 °C	ICES-005 Compliant:	Class A GDLE
Thermal protection:	Class P	Auto-restrike:	Yes
		Approvals:	NRCAN CAN CSA- C654-14



Lamp type	Number of lamps	Rated lamp watts	Min. start temp. (°F / °C)	Input current (A)	Input power (ANSI watts)	Ballast factor	Max THD (%)	Power factor	Max. lamp current crest factor	B.E.F.
F32T8	2	32	0/-18	0.19	57	0.88	10	0.99	1.7	1.54
F32T8	1	32	0/-18	0.10	37	1.08	15	0.98	1.7	2.92
F25T8	2	25	0/-18	0.13	47	0.95	10	0.99	1.7	2.02
F25T8	1	25	0/-18	0.08	30	1.13	15	0.98	1.7	3.77
F17T8	2	17	0/-18	0.10	36	1.03	15	0.98	1.7	2.86
F17T8	1	17	0/-18	0.06	20	1.45	20	0.97	1.7	7.25
F40T8	1	40	32/0	0.12	43	1.00	10	0.99	1.7	2.33
F32T8/ES(30W)	2	30	32/0	0.16	56	0.88	10	0.99	1.7	1.57
F32T8/ES(30W)	1	30	32/0	0.10	36	1.11	15	0.98	1.7	3.08
F32T8/ES(28W)	2	28	32/0	0.14	50	0.88	10	0.99	1.7	1.76
F32T8/ES(28W)	1	28	32/0	0.09	32	1.20	15	0.98	1.7	3.75
F32T8/ES(25W)	2	25	32/0	0.13	45	0.88	10	0.99	1.7	1.96
F32T8/ES(25W)	1	25	32/0	0.09	30	1.25	15	0.98	1.7	4.17

This lighting equipment complies with Canadian standard ICES-005; for use in commercial applications.

WARRANTY:

Ballast warranty of 5 years for electronic ballast 75 °C. Ballast warranty of 3 years for electronic ballast 90 °C. For more information visit our website.

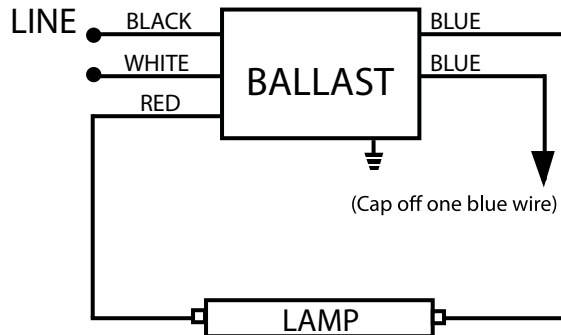
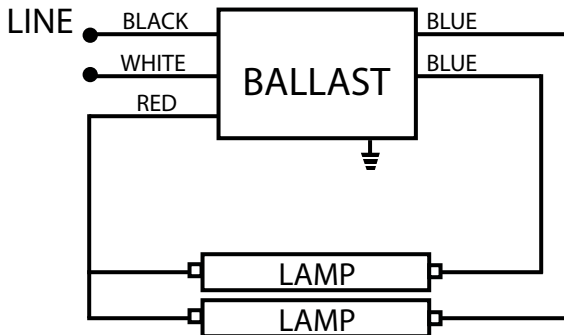
Data is based upon tests performed in a controlled environment and representative of relative performance. Actual performance can vary depending on operating conditions. Specifications are subject to change without notice.

November 15, 2017

ORDERING INFORMATION

Order code: 66150
 Description: E232T8IS/MIC/347/N/AS
 UPC: 69549661509

WIRING DIAGRAM

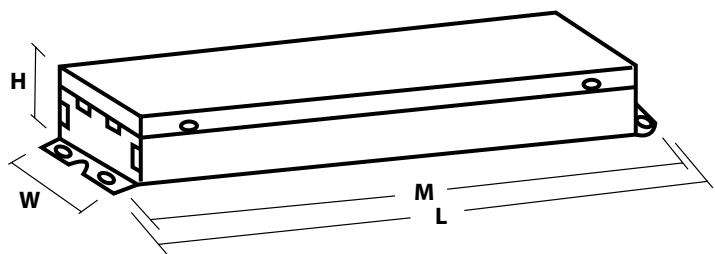


LEADS LENGTH

Black	18.8" (48.0 cm)
White	18.8" (48.0 cm)
Blue	31.0" (78.70 cm)
Red	46.5" (118.0 cm)

BALLAST DIMENSIONS

Length (L):	9.50" (24.10 cm)
Width (W):	1.26" (3.20 cm)
Height (H):	1.15" (2.80 cm)
Mounting (M):	8.90" (22.30 cm)



This lighting equipment complies with Canadian standard ICES-005; for use in commercial applications.

WARRANTY:

Ballast warranty of 5 years for electronic ballast 75 °C. Ballast warranty of 3 years for electronic ballast 90 °C. For more information visit our website.

Data is based upon tests performed in a controlled environment and representative of relative performance. Actual performance can vary depending on operating conditions. Specifications are subject to change without notice.
 November 15, 2017