

Project: _____ Type: _____

Drawn by: _____ Catalogue #: _____ Date: _____

Individual Spec Sheet

LED EDGELIT LED CEILING LUMINAIRE

12"

ORDERING INFORMATION

Order code: 65464
Model number: LED/CL12/EDGELIT/22W/30K/FM/SQR/WH/STD
UPC: 069549654648
Case quantity: 10

PHYSICAL DATA

Size in. (mm): 12 1/8 (306)
Shape: Square
Type: Ceiling
Trim finish: White
Lens material: Frosted Polycarbonate
Mounting: Surface Mount/Flush-mount

PERFORMANCE DATA

Watts (W): 22
Volts (VAC): 120
Colour temperature (K): 3 000
Lumen output (lm): 1 904.2
Lumen per Watts (lm/W): 74
CRI: >80
Life L70 (h): 50 000
Beam angle (°): 120
THD (%): >15
Power factor: 0.95
Dimmer type: Forward-Reverse phase
Frequency (Hz): 60
Operating temp. range: -20 °C to 50 °C (-4 °F to 122 °F)

¹ Typical colour temperature range: +/- 5 %

² Lumen values are derived from photometric testing. Initial lumens range: +/- 10 %

³ Life hours are derived from IESNA LM80-08 testing report and projected per IESNA TM-21-11 extrapolations

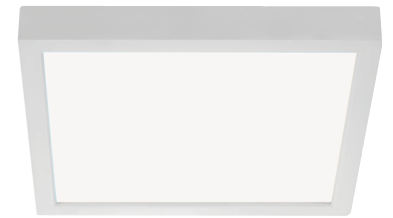
COMPATIBLE DIMMERS

Brand	Model
LEGRAND	HCL453P
COOPER	AAL06, SLC03P
LEVITON	6615, 6674, DSL06-1LZ, DSM10-1LZ, IPE04-1LZ, IPL06
LUTRON	AYCL-253P, CTCL-153P, DVCL-153P, DVCL-253P, DVELV-300P, MACL-153P, NTELV-600, PD-6WCL, SELV-300P

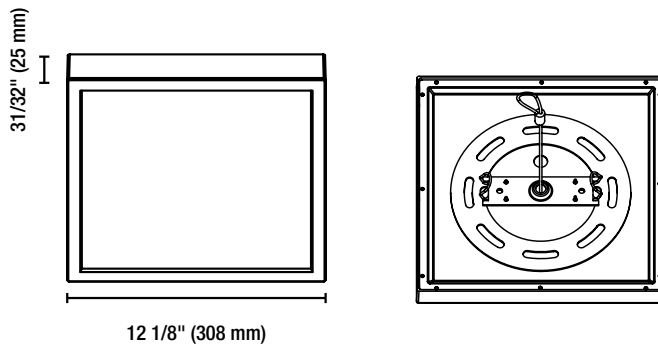
NOTE: The above table shows dimmers that have been tested and have demonstrated proper operation under normal conditions. Each installation being unique, various factors such as load, common neutrals or other electrical products on the circuit can, in certain instances, cause variance in system performance. Read and comply to the dimmer installation instructions. Consult dimming system manufacturer for additional support in operation. Stanpro recommends to use dimmers designed to work with LED products. Older dimmers designed for incandescent products may cause erratic operation. Some dimmers may require more than one product for stable operation. The maximum number of products is determined by the dimmer wattage rating with LEDs. Be careful, these dimmers have different ratings depending on the product type. Again, refer to the dimmer installation instructions.

This lighting equipment complies with Canadian standard ICES-005 for use in residential applications. Data is based upon tests performed in a controlled environment.

Actual performance can vary depending on operating conditions. Specifications are subject to change without notice.



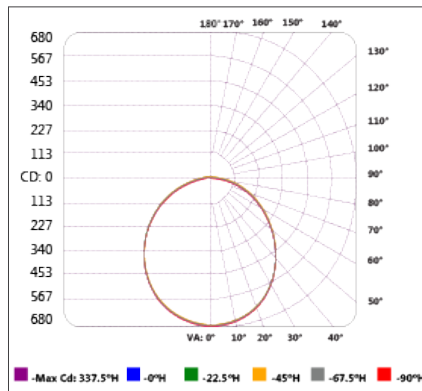
DIMENSIONS



PHOTOMETRIC DATA¹

65464 • LED/CL12/EDGELIT/22W/30K/FM/SQR/WH/STD • 1 904.2 lm

Polar candela distribution



Zonal lumen summary

Zone	Lumens	% Lamp	% Fixture
0-30	531.8	27.9	27.9
0-40	871.5	45.8	45.8
0-60	1 524.3	80	80
60-90	377.9	19.8	19.8
70-100	153.2	8	8
90-120	0.5	0	0
0-90	1 902.2	99.9	99.9
90-180	2.0	0.1	0.1
0-180	1 904.2	100	100

Illuminance at a distance

	Center beam fc	Beam width
2.0'	169.7	5.8' 5.8'
4.0'	42.4	11.5' 11.5'
6.0'	18.9	17.3' 17.3'
8.0'	10.6	23.0' 23.1'
10.0'	6.8	28.8' 28.8'

Vert. spread: 124.5°
Horiz. spread: 124.4°

¹ Complete IES files available on our website.

Qty	Description	Price

I accept the specifications of the luminaire configuration mentioned above.

Name: _____
 Company: _____
 Signature: _____

Date: _____

Data is based upon tests performed in a controlled environment. Actual performance can vary depending on operating conditions. All products are subject to change or may be discontinued any time without notice.