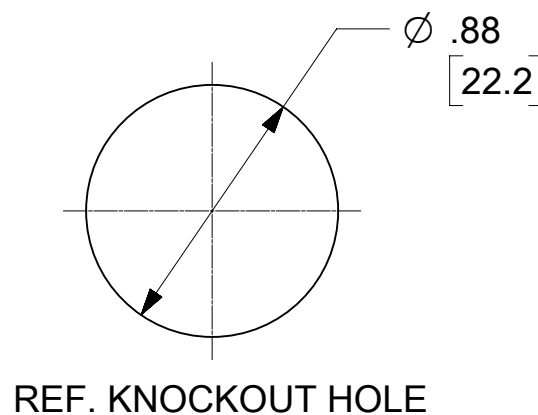
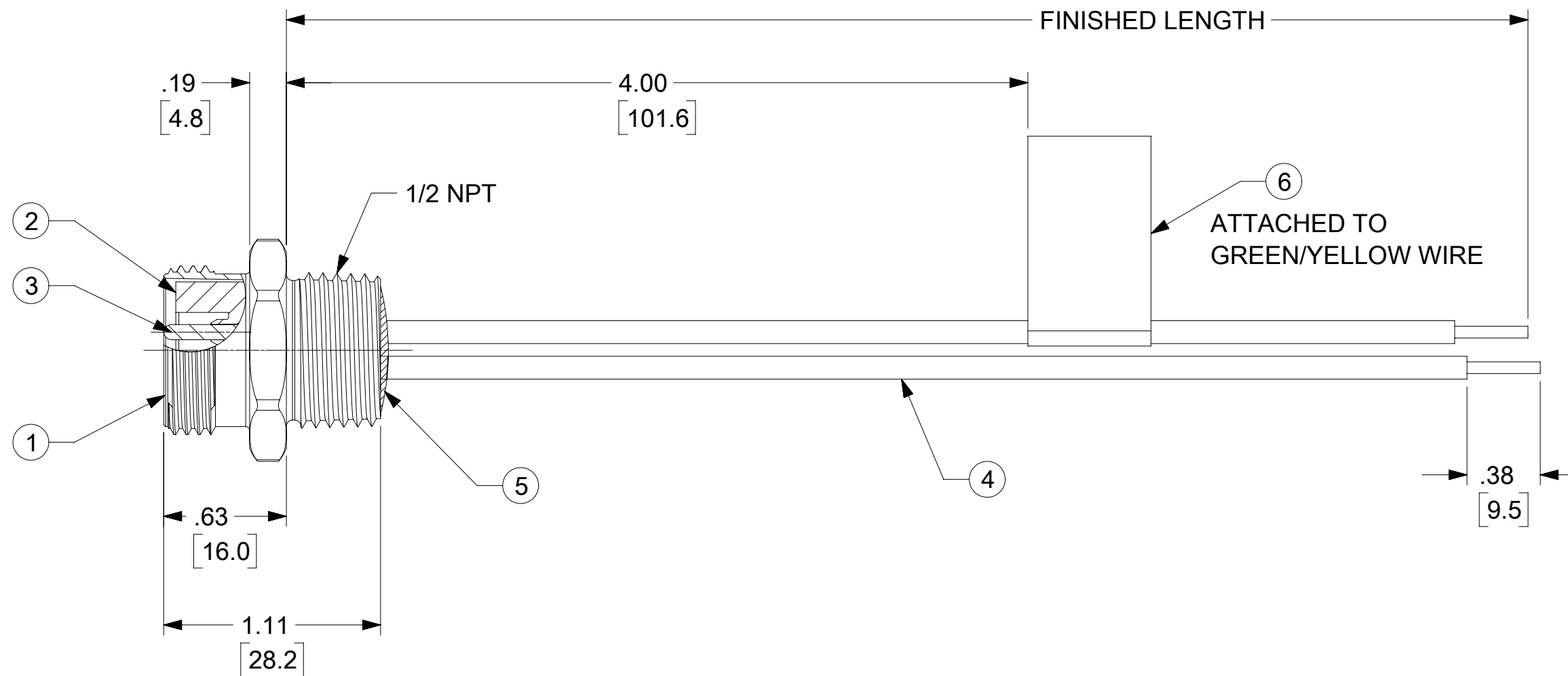
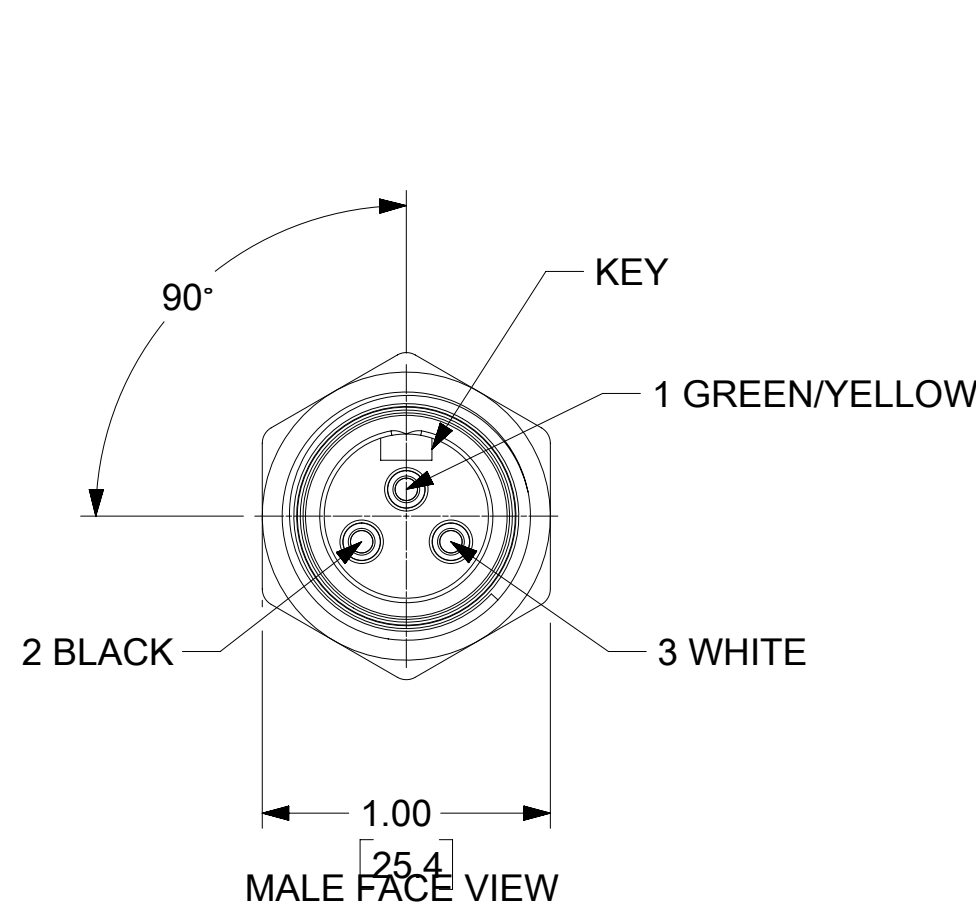
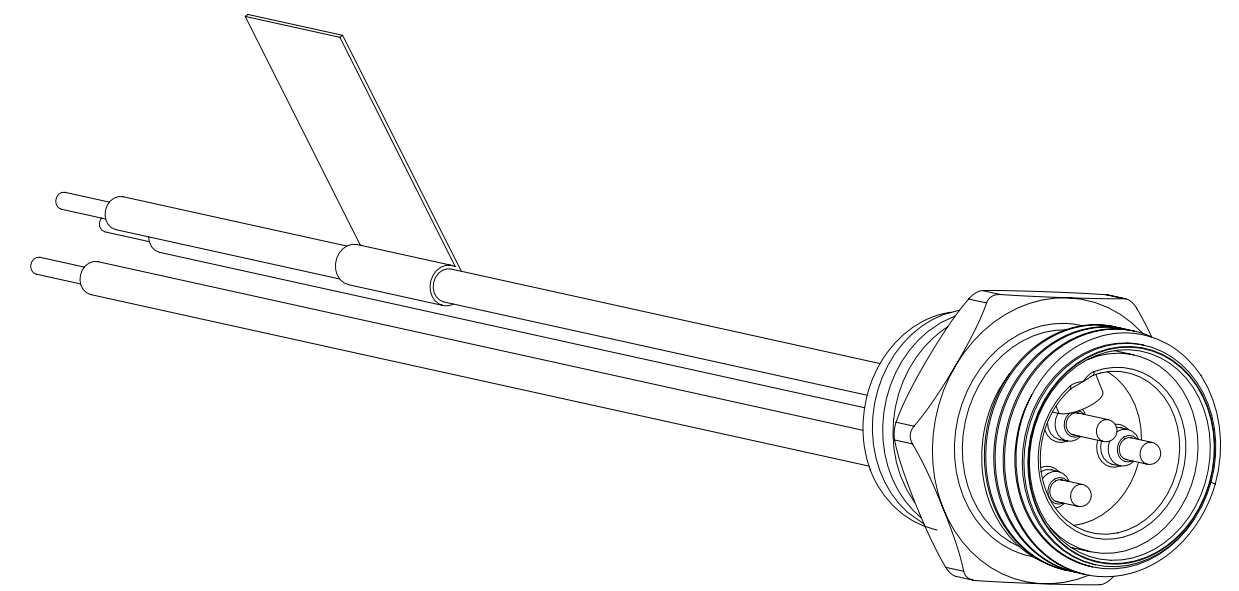


PART NO.	ENGINEERING NO.	FINISHED LENGTH
1300130202	1R3006A20A120	12 IN (0.30M)
1300130211	1R3006A20F030	3 FT (0.90M)
1300130225	1R3006A20M030	3M (9 FT, 10 IN)

(B) CABLE LENGTH TOLERANCES
 <.3M [1FT]: +19mm-0 [+.75in-0]
 .3 - .9M [1 - 3FT]: +44.5mm-0 [+1.75in-0]
 .9 - 1.8M [3 - 6FT]: +55.6mm-0 [+2.19in-0]
 1.8 - 3.7M [6 - 12FT]: +88.9mm-0 [+3.50in-0]
 3.7 - 7.3M [12 - 24FT]: +165.1mm-0 [+6.50in-0]
 7.3-14.6M [24 - 48FT]: +317.5mm-0 [+12.50in-0]
 14.6 - 30.5M [48-100FT]: +622.3mm-0 [+24.50in-0]
 OVER 30M [100FT] +2% OF FINISHED LENGTH



- NOTES:**
1. MATERIAL: AS NOTED
 2. FINISH: AS NOTED
 3. ELECTRICAL:
 VOLTAGE: 500V PER IEC60664
 600V PER UL2238
 CURRENT: 13A
 4. TEMP RATING: -20°C TO +105°C
 5. PROTECTION: IP67 (WHEN MATED)
 6. COUPLING THREAD: 7/8-16 UN
 7. UL RECOGNIZED FILE: E152210
 CSA CERTIFIED: LR6837
 8. ALL DIMS ARE FOR REFERENCE UNLESS TOLERANCED OR NOTED OTHERWISE

PART NUMBER LEGEND

1R3006A20A120

LENGTH
 A060 = 6 IN
 A120 = 12 IN
 F060 = 6.0 FT
 M003 = 0.3 METERS
 M010 = 1.0 METERS
 M100 = 10.0 METERS

ITEM	DESCRIPTION	MATERIAL	FINISH
6	FLAG LABEL	VINYL	BLACK/YELLOW
5	POTTING MATERIAL	EPOXY	
4	WIRE #16 (UL 1015)	PVC INSULATION	SEE FACE VIEW
3	CONTACT PIN	Cu ALLOY	GOLD PLATED
2	INSERT	TPE	YELLOW
1	RECEPTACLE SHELL	ZINC (DIE-CAST)	BLACK E-COAT

FUNCTIONAL SYMBOLS												THIS DRAWING CONTAINS INFORMATION THAT IS PROPRIETARY TO MOLEX ELECTRONIC TECHNOLOGIES, LLC AND SHOULD NOT BE USED WITHOUT WRITTEN PERMISSION																	
DIMENSION UNITS				SCALE				CURRENT REV DESC: REV NOTE 7 FOR UL FILE NO. & CSA. UPDATE BORDER, CORRECT CABLE LENGTH TOL.																					
INCH/MM				1:1																									
GENERAL TOLERANCES (UNLESS SPECIFIED)												EC NO: 668276 DRWN: RSTONE 2021/06/18 CHK'D: MZIELINSKI 2021/07/08 APPR: BWOODMAN 2021/07/12																	
<table border="1"> <tr> <th>PLACES</th> <th>MM</th> <th>INCH</th> </tr> <tr> <td>4 PLACES</td> <td>±</td> <td>±</td> </tr> <tr> <td>3 PLACES</td> <td>±</td> <td>±</td> </tr> <tr> <td>2 PLACES</td> <td>±</td> <td>±</td> </tr> <tr> <td>1 PLACE</td> <td>±</td> <td>±</td> </tr> <tr> <td>0 PLACES</td> <td>±</td> <td>±</td> </tr> </table>																PLACES	MM	INCH	4 PLACES	±	±	3 PLACES	±	±	2 PLACES	±	±	1 PLACE	±
PLACES	MM	INCH																											
4 PLACES	±	±																											
3 PLACES	±	±																											
2 PLACES	±	±																											
1 PLACE	±	±																											
0 PLACES	±	±																											
DIVISIONAL SYMBOLS												INITIAL REVISION:				DOCUMENT NUMBER													
ANGULAR TOL ± °												DRWN: RSTONE 2019/11/06				1300130004													
DRAFT WHERE APPLICABLE MUST REMAIN WITHIN DIMENSIONS												APPR: BWOODMAN 2019/12/13				PSD 000 B													
THIRD ANGLE PROJECTION				DRAWING				SERIES				MATERIAL NUMBER																	
C-SIZE				130013				SEE P/N LEGEND				CUSTOMER																	
								GENERAL MARKET				SHEET NUMBER																	
												1 OF 1																	