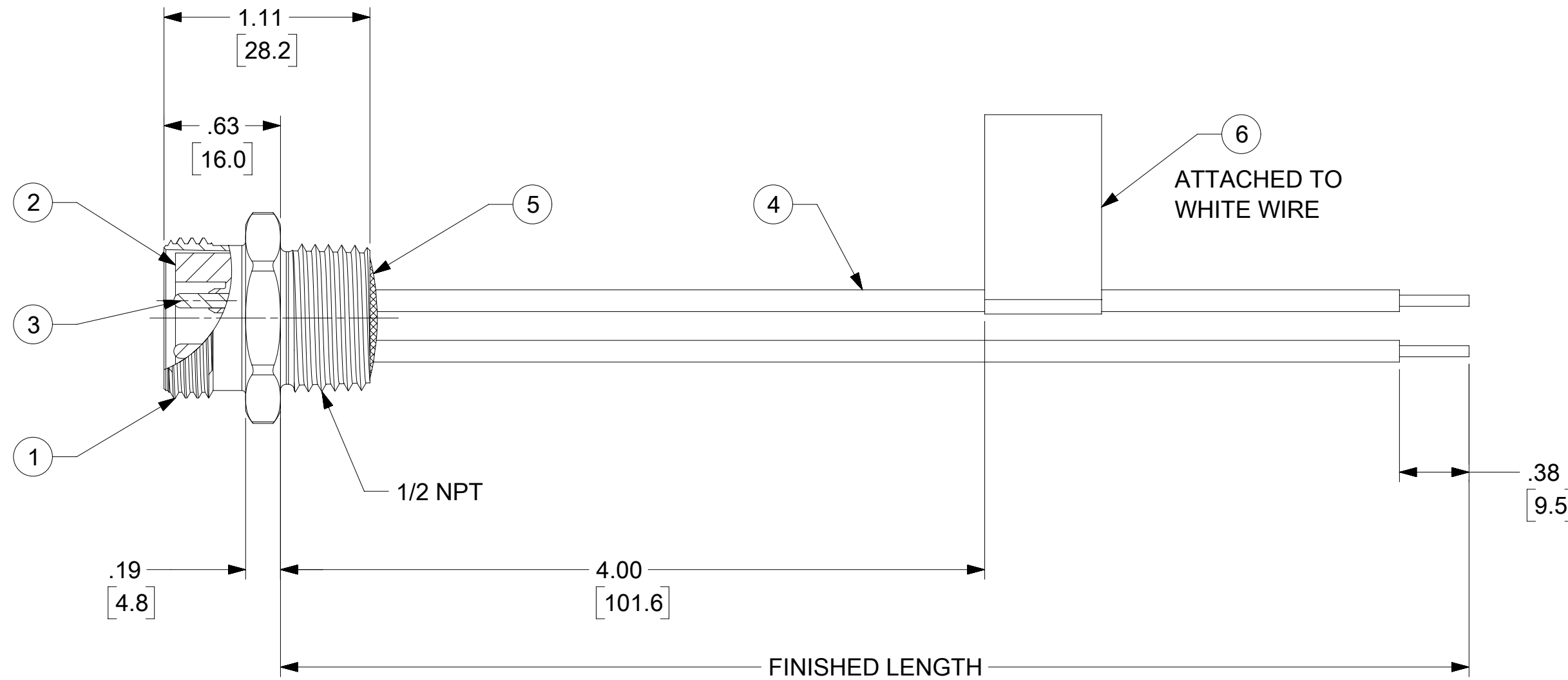
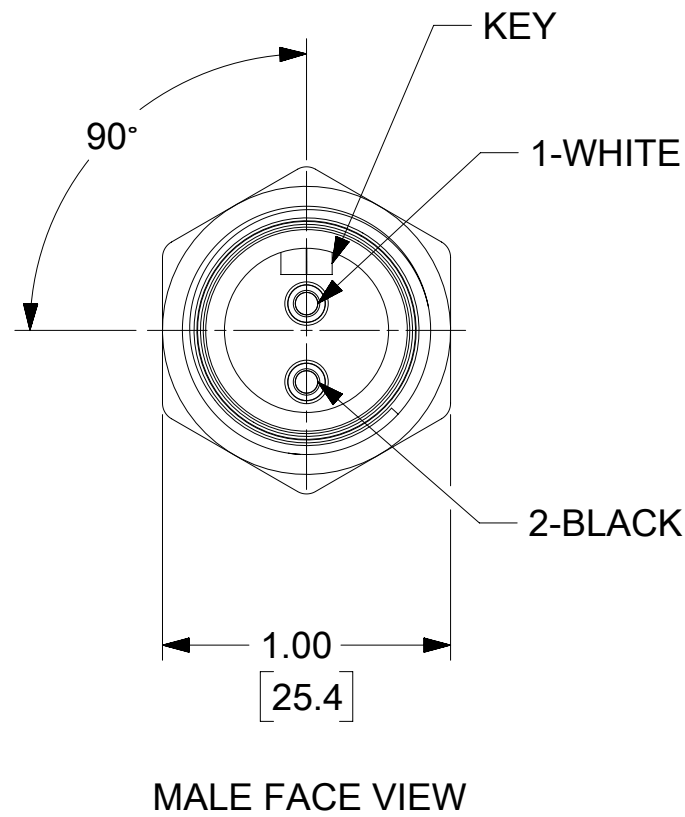
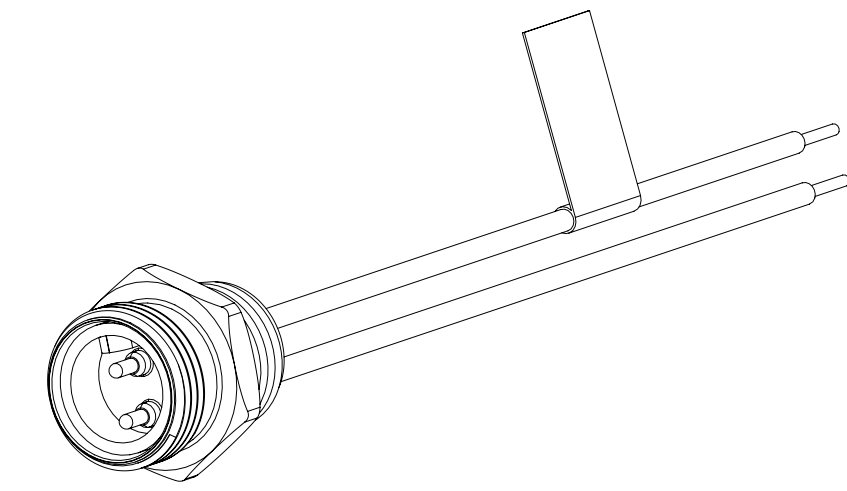
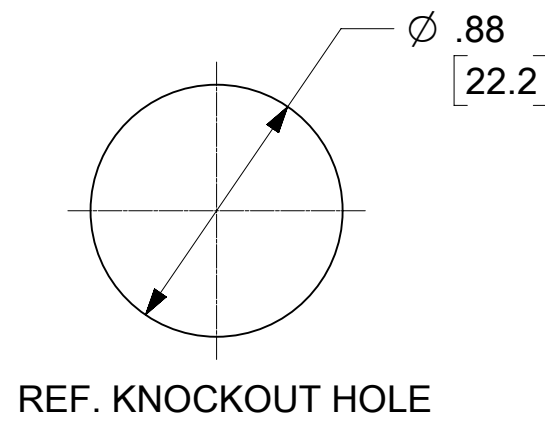


PART NO.	ENGINEERING NO.	FINISHED LENGTH
1300130076	1R2006A20A120	12 IN (0.3M)
1300130081	1R2006A20F030	3 FT (0.9M)
1300130084	1R2006A20F060	6 FT (1.8M)

CABLE LENGTH TOLERANCES  
 <.3M [1FT]: +19mm-0 [+.75in-0]  
 .3 - .9M [1 - 3FT]: +44.5mm-0 [+1.75in-0]  
 .9 - 1.8M [3 - 6FT]: +55.6mm-0 [+2.19in-0]  
 1.8 - 3.7M [6 - 12FT]: +88.9mm-0 [+3.50in-0]  
 3.7 - 7.3M [12 - 24FT]: +165.1mm-0 [+6.50in-0]  
 7.3-14.6M [24 - 48FT]: +317.5mm-0 [+12.50in-0]  
 14.6 - 30.5M [48-100FT]: +622.3mm-0 [+24.50in-0]  
 OVER 30M [100FT] +2% OF FINISHED LENGTH



- NOTES:  
 1. MATERIAL: AS NOTED  
 2. FINISH: AS NOTED  
 3. ELECTRICAL:  
 VOLTAGE: 500V PER IEC60664  
 600V PER UL2238  
 CURRENT: 13A  
 4. TEMP RATING: -20°C TO +105°C  
 5. PROTECTION: IP67 (WHEN MATED)  
 6. COUPLING THREAD: 7/8-16 UN  
 7. UL RECOGNIZED FILE: E152210  
 CSA CERTIFIED: LR6837  
 8. ALL DIMS ARE FOR REFERENCE UNLESS TOLERANCED OR NOTED OTHERWISE



**PART NUMBER LEGEND**

1R2006A20A120  
 LENGTH  
 A060 = 6 IN  
 A120 = 12 IN  
 F060 = 6.0 FT  
 M003 = 0.3 METERS  
 M010 = 1.0 METERS  
 M100 = 10.0 METERS

ITEM	DESCRIPTION	MATERIAL	FINISH
6	FLAG LABEL	VINYL	BLACK/YELLOW
5	POTTING MATERIAL	EPOXY	
4	WIRE #16 (UL 1015)	PVC INSULATION	SEE FACE VIEW
3	CONTACT PIN	Cu ALLOY	GOLD PLATED
2	INSERT	TPE	YELLOW
1	RECEPTACLE SHELL	ZINC (DIE-CAST)	BLACK E-COAT
ITEM	DESCRIPTION	MATERIAL	FINISH

FUNCTIONAL SYMBOLS	THIS DRAWING CONTAINS INFORMATION THAT IS PROPRIETARY TO MOLEX ELECTRONIC TECHNOLOGIES, LLC AND SHOULD NOT BE USED WITHOUT WRITTEN PERMISSION			
	DIMENSION UNITS	SCALE	CURRENT REV DESC: REDRAWN TO NX FOR 2 POLE, REPLACES SD-130013-120	
$\frac{F}{A} = 0$	INCH/MM	1:1	EC NO: 668276 DRWN: RSTONE 2021/06/23 CHK'D: MZIELINSKI 2021/07/08 APPR: BWOODMAN 2021/07/12	
$\frac{F}{C} = 0$	GENERAL TOLERANCES (UNLESS SPECIFIED)			
$\frac{F}{P} = 0$		MM		
DIVISIONAL SYMBOLS	4 PLACES	±	±	INITIAL REVISION: DRWN: RSTONE 2021/06/23 APPR: BWOODMAN 2021/07/12
	3 PLACES	±	±	
	2 PLACES	±	±	
	1 PLACE	±	±	
	0 PLACES	±	±	
	ANGULAR TOL	±	°	
	DRAFT WHERE APPLICABLE MUST REMAIN WITHIN DIMENSIONS	THIRD ANGLE PROJECTION		DRAWING SERIES
				C-SIZE 130013
DOCUMENT STATUS		P1	RELEASE DATE	2021/07/12 18:53:07
DOCUMENT NUMBER		CUSTOMER		SHEET NUMBER
1300130076		GENERAL MARKET		1 OF 1