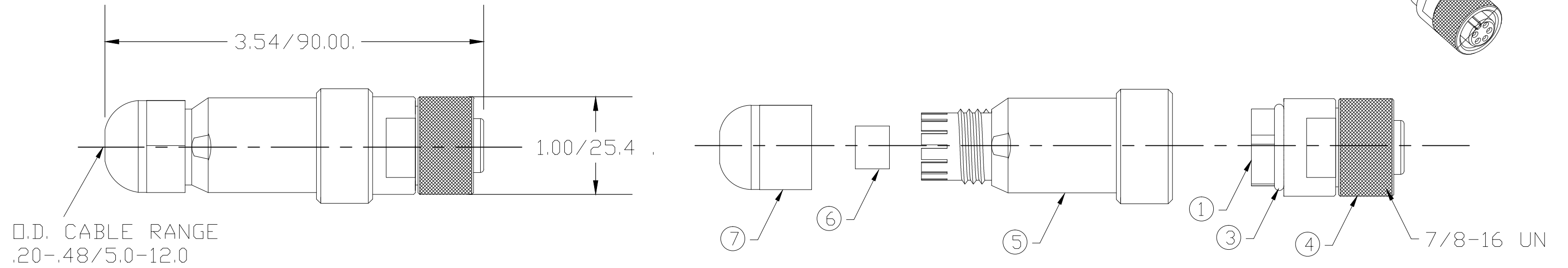
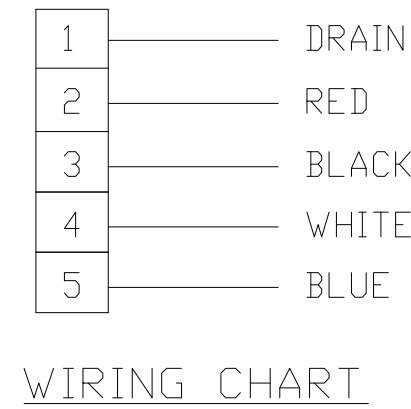
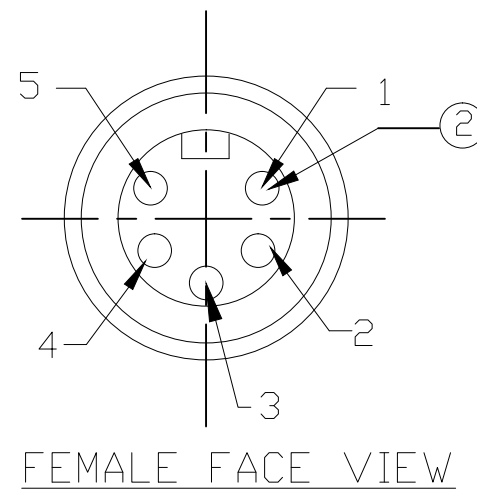


MATERIAL NUMBER	ENGINEERING PART NUMBER
1300340005	1A5000-34DN



- NOTES: (B)
- MATERIAL: AS NOTED
 - FINISH: AS NOTED
 - ELECTRICAL:
VOLTAGE RATING PER IEC 60664: 400V
VOLTAGE RATING PER UL: 600V
CURRENT: 8A
 - TEMP RATING: -20° TO +80°C
 - PROTECTION: IP67 (WHEN MATED)
 - COUPLING THREAD: 7/8-16- AS NOTED
 - AGENCY:
CSA CERTIFICATION FILE: LR6837
 - ALL DIMS ARE FOR REFERENCE UNLESS NOTED OTHERWISE



ITEM	COMPONENT	MATERIAL	FINISH
1	INSERT	NYLON	BLACK
2	SOCKET CONTACTS	COPPER ALLOY	GOLD PLATED
3	O-RING	NITRILE	BLACK
4	COUPLING NUT	BRASS	NICKEL PLATED
5	MOLDED BODY	NYLON	BLACK
6	GROMMET	NITRILE	BLACK
7	CORD GRIP BODY	NYLON	BLACK

UPDATE NOTES EC NO: IPG2018-0109 DRWN: AAKHTAR 2017/08/10 CHKD: RSTONE 2017/08/11 APPR: BWOODMAN2009/08/26	QUALITY SYMBOL ▽=0 ▽C=0	GENERAL TOLERANCES (UNLESS SPECIFIED)		DIMENSION STYLE IN/MM		SCALE	DESIGN UNITS	THIRD ANGLE PROJECTION		
			mm	INCH	DRAWN BY	DATE	----	INCH		
		4 PLACES	±---	±---	TWOLDEGE	2009/08/25	TITLE			
		3 PLACES	±.005	±.005	CHECKED BY		DATE	MINI CHANGE ATTACHABLE		
2 PLACES	±.013	±.010	BWOODMAN		2009/08/25	5-POLE FEMALE ST D-NET				
1 PLACE	±.025	±.020	APPROVED BY		DATE	.20"-.48" CABLE RANGE				
		ANGULAR ±1/2°		JFMURPHY		2009/08/26	MOLEX INCORPORATED			
DRAFT WHERE APPLICABLE MUST REMAIN WITHIN DIMENSIONS				MATERIAL NO.		DOCUMENT NO.		SHEET NO.		
				1300340005		SD-130034-003		1 OF 1		
				THIS DRAWING CONTAINS INFORMATION THAT IS PROPRIETARY TO MOLEX INCORPORATED AND SHOULD NOT BE USED WITHOUT WRITTEN PERMISSION						