

## LPDL LED 4" ROUND LOW PROFILE DOWNLIGHT

LPDL™ gives you all the flexibility you need during installation, especially in confined area or when facing constraints such as wood beams, ceiling joist or air ducts. The driver is mounted separately from the light source which allows the luminaire profile to be less than 1" thick!

### FEATURES AND SPECIFICATIONS

#### • Construction

##### Finishing

- White, Black and Brushed Nickel
- 110° beam
- 4" Round

##### Mounting

- LED module with LED driver easily installed with quick connect wire
- Torsion spring mounting clips

#### • Compliances

- cETLus
- Energy Star

#### • Technical specifications

- Phase-cut dimming
- Color temperature 3 000-2 200, 2 700, 3 000 and 4 000 K
- Ambient temperature: -20°C to 45°C
- IC certified
- Suitable for damp location
- Suitable for wet location
- FT4 cable and FT6 cable for plenum
- Air tight

### OVERVIEW

Light source	LED
Watts (W)	9
Lumen output (lm)	450 - 600
Efficiency (lm/W)	50 - 70
Color temperature (K)	3 000-2 200, 3 000, 4 000, 5 000
CRI	80



<sup>1</sup>S2- Large junction box

QUICK SHIP AND TECHNICAL SPECIFICATION TABLE 



S1 - Small junction box

Order code	Description	Watts (W)	Volts (VAC)	Color temp. (K) <sup>2</sup>	Lumen output (lm) <sup>3</sup>	Efficiency (lm/W)	CRI	Life L70 (hrs) <sup>4</sup>	Tested hours LM-80 (hrs) <sup>4</sup>	Beam angle (°)	Cable rating	Finish	Power factor	THD (%)	Traditional equivalent (W)	Case qty (master)
<b>4" Round Warm-Dim</b>																
65364	LPDL4/RND/9W/30-22K/WH/W-DIM/STD	9	120	3 000-2 200	500	55	80	50 000	6 000	120	FT4	White	>0.9	<40	50	24
65365	LPDL4/RND/9W/30-22K/SLV/W-DIM/STD	9	120	3 000-2 200	500	55	80	50 000	6 000	120	FT4	Brushed nickel	>0.9	<40	50	24
<b>4" Round</b>																
63879	LPDL4/RND/9W/27K/WH/STD	9	120	2 700	520	57	80	50 000	-	120	FT4	White	>0.9	<40	50	24
63884	LPDL4/RND/9W/30K/SLV/STD	9	120	3 000	550	61	80	50 000	-	120	FT4	Brushed nickel	>0.9	<40	50	24
63883	LPDL4/RND/9W/30K/BLK/STD	9	120	3 000	550	61	80	50 000	-	120	FT4	Black	>0.9	<40	50	24
63885	LPDL4/RND/9W/40K/WH/STD	9	120	4 000	580	64	80	50 000	-	120	FT4	White	>0.9	<40	50	24
63887	LPDL4/RND/9W/40K/SLV/STD	9	120	4 000	580	64	80	50 000	-	120	FT4	Brushed nickel	>0.9	<40	50	24
63886	LPDL4/RND/9W/40K/BLK/STD	9	120	4 000	580	64	80	50 000	-	120	FT4	Black	>0.9	<40	50	24

<sup>1</sup> **QUICK SHIP:** Product availability is subject to change without notice. Please contact your Stanpro customer service representative to confirm inventory levels at time of order.

<sup>2</sup> Typical color temperature range: +/- 5 %.

<sup>3</sup> Lumen values are derived from photometric testing. Initial lumens range: +/- 10 %.

<sup>4</sup> Life hours are derived from IESNA LM-80-08 testing report and projected per IESNA TM-21-11 extrapolations.



S2 - Large junction box

Order code	Description	Watts (W)	Volts (VAC)	Color temp. (K) <sup>2</sup>	Lumen output (lm) <sup>3</sup>	Efficiency (lm/W)	CRI	Life L70 (hrs) <sup>4</sup>	Tested hours LM-80 (hrs) <sup>4</sup>	Beam angle (°)	Cable rating	Finish	Power factor	THD (%)	Traditional equivalent (W)	Case qty (master)
<b>4" Round Warm-Dim</b>																
65944	LPDL4/S2/RND/9W/30-22K/WH/W-DIM/STD	9	120	3 000-2 200	450	50	80	50 000	9 000	120	FT4	White	>0.9	<40	50	24
65945	LPDL4/S2/RND/9W/30-22K/BN/W-DIM/STD	9	120	3 000-2 200	450	50	80	50 000	9 000	120	FT4	Brushed nickel	>0.9	<40	50	24
<b>4" Round Wet Location</b>																
65724	LPDL4/RND/9W/30K/WH/WET/STD	9	120	3 000	550	61	80	50 000	-	120	FT4	White	>0.9	<40	50	24
66220	LPDL4/RND/9W/30K/BN/WET/STD	9	120	3 000	550	61	80	50 000	-	120	FT4	Brushed nickel	>0.9	<40	50	24
65725	LPDL4/RND/9W/40K/WH/WET/STD	9	120	4 000	580	64	80	50 000	-	120	FT4	White	>0.9	<40	50	24
66221	LPDL4/RND/9W/40K/BN/WET/STD	9	120	4 000	580	64	80	50 000	-	120	FT4	Brushed nickel	>0.9	<40	50	24
<b>4" Round FT6 cable for plenum</b>																
66960	LPDL4/S2/FT6/RND/9W/30K/WH/STD	9	120	3 000	550	61	80	50 000	-	120	FT6	White	>0.9	<40	50	24
66961	LPDL4/S2/FT6/RND/9W/40K/WH/STD	9	120	4 000	580	64	80	50 000	-	120	FT6	White	>0.9	<40	50	24
<b>4" Round</b>																
65936	LPDL4/S2/RND/9W/27K/WH/STD	9	120	2 700	520	58	80	50 000	9 000	120	FT4	White	>0.9	<40	50	24
65937	LPDL4/S2/RND/9W/30K/WH/STD	9	120	3 000	550	61	80	50 000	9 000	120	FT4	White	>0.9	<40	50	24
65938	LPDL4/S2/RND/9W/30K/BN/STD	9	120	3 000	550	61	80	50 000	9 000	120	FT4	Brushed nickel	>0.9	<40	50	24
65939	LPDL4/S2/RND/9W/30K/BK/STD	9	120	3 000	550	61	80	50 000	9 000	120	FT4	Black	>0.9	<40	50	24
65940	LPDL4/S2/RND/9W/40K/WH/STD	9	120	4 000	580	64	80	50 000	9 000	120	FT4	White	>0.9	<40	50	24
65941	LPDL4/S2/RND/9W/40K/BN/STD	9	120	4 000	580	64	80	50 000	9 000	120	FT4	Brushed nickel	>0.9	<40	50	24
65942	LPDL4/S2/RND/9W/40K/BK/STD	9	120	4 000	580	64	80	50 000	9 000	120	FT4	Black	>0.9	<40	50	24
65943	LPDL4/S2/RND/9W/50K/WH/STD	9	120	5 000	600	67	80	50 000	9 000	120	FT4	White	>0.9	<40	50	24

<sup>1</sup> **QUICK SHIP:** Product availability is subject to change without notice. Please contact your Stanpro customer service representative to confirm inventory levels at time of order.

<sup>2</sup> Typical color temperature range: +/- 5 %.

<sup>3</sup> Lumen values are derived from photometric testing. Initial lumens range: +/- 10 %.

<sup>4</sup> Life hours are derived from IESNA LM-80-08 testing report and projected per IESNA TM-21-11 extrapolations.

Data is based upon tests performed in a controlled environment. Actual performance can vary depending on operating conditions. All products are subject to change or may be discontinued any time without notice.

**ACCESSORIES (order separately)**

Part number	Description	Type	Opening diameter (in)	Case qty (master)
66058	ACC/MPLATE/4.25/ADJ/STD	Adjustable mounting plate	4 1/4	24
66821	ACC/MPLATE/4.25IN/HANG.BARS/STD	Mounting plate with hanger bars	4 1/4	25
66051	ACC/MPLATE/4.25/SQR/STD	Square mounting plate	4 1/4	100
66143	ACC/4/VAPOR BARRIER/STD	Vapor barrier extender	4	50
64264	LPDL/ACC/6FT/EXTCABLE/STD	6' Extension cord	-	96
66964	LPDL/ACC/6FT/EXTCABLE/FT6/STD	6' FT6 Extension cord	-	96

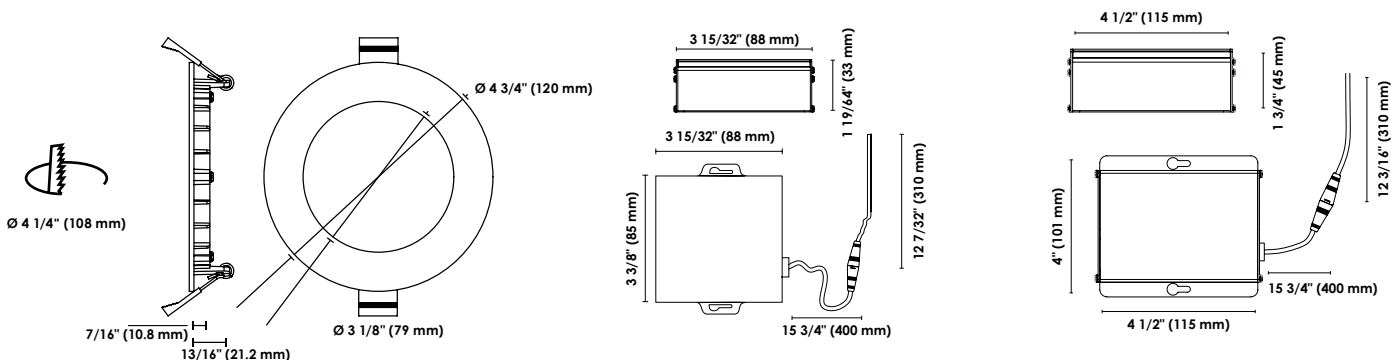


**COMPATIBLE DIMMERS**

Brand	Product type & dimmer model number	
	4"	Wet location (65724-65725)
LEGRAND	HCL453P	HCL453P
COOPER	9531AW, DAL06P, SLC03P	AAL06, DAL06P, SLC03P
LEVITON	6615, 6674, DSL06-1LZ, DSM10-1LZ, IPE04-1LZ, IPL06	6615, DSL06-1LZ, DSM10-1LZ, IPE04-1LZ
LUTRON	CTCL-153P, DVCL-153P, DVCL-253P, DVELV-300P, MA-CL-153P, NTELV-600, PD-6WCL, SELV-300P	AVCL-253P, CTCL-153P, DVCL-153P, DVCL-253P, DVELV-300P, MA-CL-153P, NTELV-600, PD-6WCL, SELV-300P

NOTE: The above table shows dimmers that have been tested and have demonstrated proper operation under normal conditions. Each installation being unique, various factors such as load, common neutrals or other electrical products on the circuit can, in certain instances, cause variance in system performance. Read and comply to the dimmer installation instructions. Consult dimming system manufacturer for additional support in operation. Standard recommends to use dimmers designed to work with LED products. Older dimmers designed for incandescent products may cause erratic operation. Some dimmers may require more than one product for stable operation. The maximum number of products is determined by the dimmer wattage rating with LEDs. Be careful, these dimmers have different ratings depending on the product type. Again, refer to the dimmer installation instructions.

**DIMENSIONS**

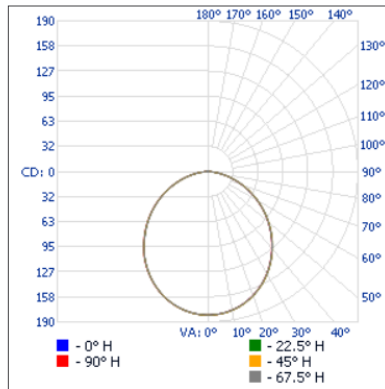


Data is based upon tests performed in a controlled environment. Actual performance can vary depending on operating conditions. All products are subject to change or may be discontinued any time without notice.

## PHOTOMETRIC DATA<sup>1</sup>

65364 • LPDL4/RND/WH/WARM DIM • 486.2 lm

### Polar candela distribution



### Zonal lumen summary

Zone	Lumens	% Fixture
0-30	138.8	28.5%
0-40	225.1	46.3%
0-60	389.1	80%
60-90	96.4	19.8%
70-100	39.6	8.1%
90-120	0.2	0%
0-90	485.5	99.9%
90-180	0.7	0.1%
0-180	486.2	100%

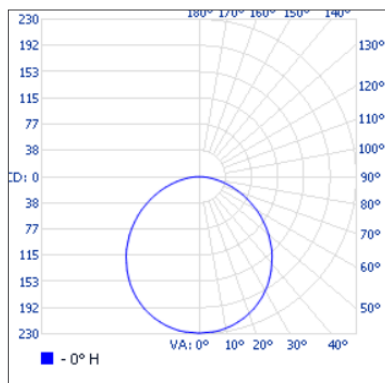
### Illuminance at a distance

	Center beam fc	Beam width
1.7'	62.7	4.6' 4.6'
3.3'	16.6	8.9' 8.9'
5.0'	7.24	13.4' 13.4'
6.7'	4.03	18.0' 18.0'
8.3'	2.63	22.3' 22.3'
10.0'	1.81	26.8' 26.9'

■ Vert. spread: 106.6°  
■ Horiz. spread: 106.6°

63885 • LPDL4/RND/9W/40K/WH/STD • 644.0 lm

### Polar candela distribution



### Zonal lumen summary

Zone	Lumens	% Fixture
0-30	177.8	27.6%
0-40	290.3	45.1%
0-60	508.6	79%
60-90	135.4	21%
70-100	58.1	9%
90-120	0	0%
0-90	644.0	100%
90-180	0	0%
0-180	644.0	100%

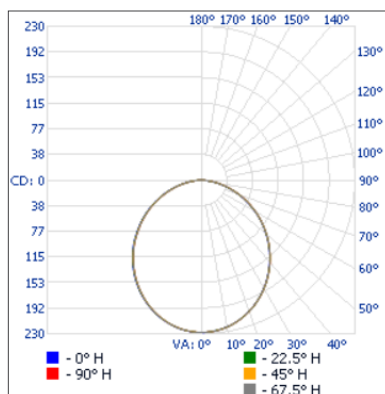
### Illuminance at a distance

	Center beam fc	Beam width
1.7'	79.2	4.9'
3.3'	21.0	9.5'
5.0'	9.16	14.4'
6.7'	5.10	19.2'
8.3'	3.32	23.8'
10.0'	2.29	28.7'

■ Vert. spread: 110.3°

65725 • LPDL4/RND/9W/40K/WH/WET/STD • 618.3 lm

### Polar candela distribution



### Zonal lumen summary

Zone	Lumens	% Fixture
0-30	174.2	28.2%
0-40	282.7	45.7%
0-60	491.4	79.5%
60-90	126.9	20.5%
70-100	53.1	8.6%
90-120	0.0	0%
0-90	618.3	100%
90-180	0.0	0%
0-180	618.3	100%

### Illuminance at a distance

	Center beam fc	Beam width
1.7'	78.8	4.6' 4.6'
3.3'	20.9	9.0' 9.0'
5.0'	9.11	13.7' 13.6'
6.7'	5.07	18.3' 18.2'
8.3'	3.31	22.7' 22.6'
10.0'	2.28	27.3' 27.2'

■ Vert. spread: 107.6°  
■ Horiz. spread: 107.4°

<sup>1</sup> Complete IES files available on our website.

Data is based upon tests performed in a controlled environment. Actual performance can vary depending on operating conditions. All products are subject to change or may be discontinued any time without notice.