

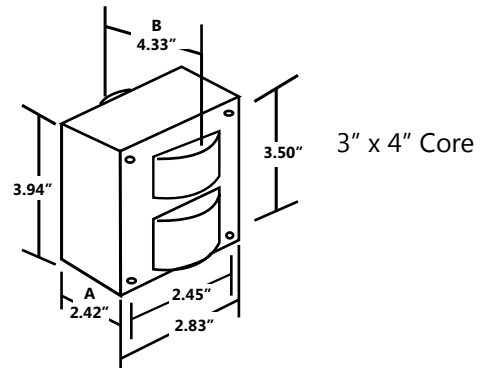
## ORDERING INFORMATION

Order code: 62933  
 Description: BMH0175/TRITAP/C/CWA/H/K/STD  
 UPC: 69549629332



## SPECIFICATIONS

Ballast type: Magnetic metal halide  
 Ballast style: Core and coil  
 Circuit type: CWA  
 ANSI code: M57 or H39  
 Input voltage (V): 120/277/347  
 Input frequency (Hz): 60  
 Line volt regulation: 10 %  
 Line watt regulation: 10 %  
 Insulation class: H (180)



Input voltage (V)	Operating current (A)	Open circuit current (A)	Starting current (A)	Rated lamp watts (W)	Input watts (W)	OCV (V)	Dropout voltage (V)	UL 1029 code	Fuse rating (A)	Input current (A)	Power factor	Starting temperature
120	2.10	1.80	1.30	175	210	292	55	D	5	0.70 - 1.10	0.90	-20°F / -30°C
277	0.80	0.75	0.55	175	210	292	130	D	2	0.25 - 0.45	0.90	-20°F / -30°C
347	0.65	0.60	0.50	175	210	292	160	D	2	0.20 - 0.35	0.90	-20°F / -30°C

## HIGH POTENTIAL TEST (V)

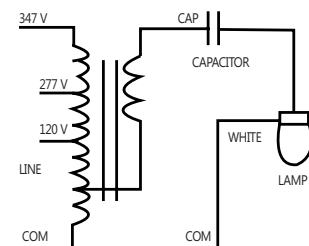
1 minute:	2 000
2 seconds:	2 500
OCV test:	275 - 335
Short circuit:	1.50 - 1.90

## BALLAST DIMENSIONS

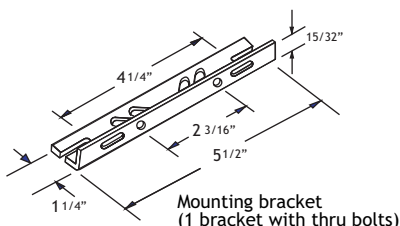
Dimension A:	2.42"
Dimension B:	4.33"
Lead lengths:	12" - 14"
Weight (lbs) :	7.03

## WIRING DIAGRAM

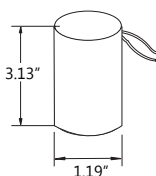
Ground ballast core



## BRACKET



## CAPACITOR



Rating: 10 ± 3% Mfd  
 400 VAC min.  
 Dry film capacitor  
 Thermal plastic  
 Max. case temp.: 90 °C  
 No PCB'S

