

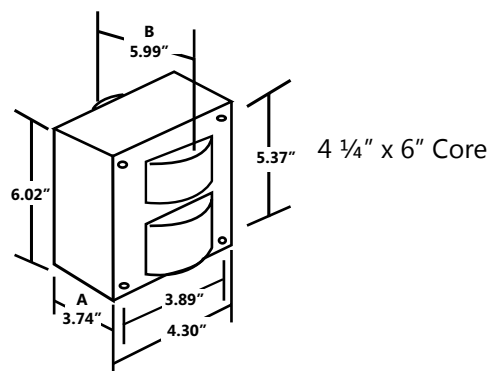
ORDERING INFORMATION

Order code: 62928
 Description: BHPS1000/QUADTAP/C/CWA/H/K/STD
 UPC: 69549629288



SPECIFICATIONS

Ballast type: Magnetic high pressure sodium
 Ballast style: Core and coil
 Circuit type: CWA
 ANSI code: S52
 Input voltage (V): 120/208/240/277
 Input frequency (Hz): 60
 Line volt regulation: 10 %
 Line watt regulation: Within trapezoid
 Insulation class: H (180)



Input voltage (V)	Operating current (A)	Open circuit current (A)	Starting current (A)	Rated lamp watts (W)	Input watts (W)	OCV (V)	Dropout voltage (V)	UL 1029 code	Fuse rating (A)	Input current (A)	Power factor	Starting temperature
120	9.91	5.45	6.55	1 000	1 100	430	90	H	20	5.30 - 8.50	0.90	-40°F / -40°C
208	5.57	2.72	3.82	1 000	1 100	430	156	H	15	3.10 - 4.80	0.90	-40°F / -40°C
240	5.29	2.89	3.29	1 000	1 100	430	180	H	10	2.60 - 4.10	0.90	-40°F / -40°C
277	4.64	2.54	2.78	1 000	1 100	430	208	H	10	2.30 - 3.60	0.90	-40°F / -40°C

HIGH POTENTIAL TEST (V)

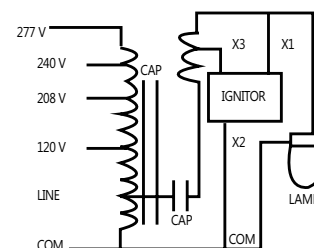
1 minute:	2 000
2 seconds:	2 500
OCV test:	390 - 460
Short circuit:	6.40 - 7.80

BALLAST DIMENSIONS

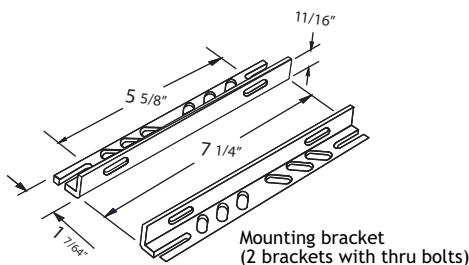
Dimension A:	3.74"
Dimension B:	5.99"
Lead lengths:	12" - 14"
Weight (lbs) :	27.99

WIRING DIAGRAM

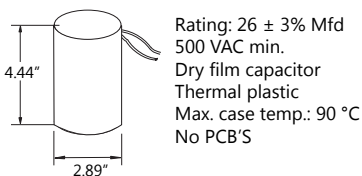
Ground ballast core



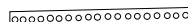
BRACKET



CAPACITOR



Rating: 26 ± 3% Mfd
 500 VAC min.
 Dry film capacitor
 Thermal plastic
 Max. case temp.: 90 °C
 No PCB'S



IGNITOR

