

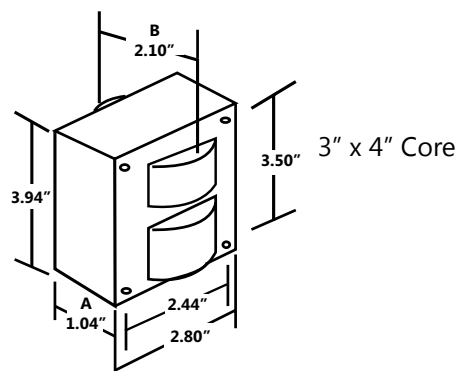
ORDERING INFORMATION

Order code: 62929
 Description: BMH0050/TRITAP/C/HX/H/K/STD
 UPC: 69549629295



SPECIFICATIONS

Ballast type: Magnetic metal halide
 Ballast style: Core and coil
 Circuit type: HX-HPF
 ANSI code: M110
 Input voltage (V): 120/277/347
 Input frequency (Hz): 60
 Line volt regulation: 5 %
 Line watt regulation: 10 %
 Insulation class: H (180)



Input voltage (V)	Operating current (A)	Open circuit current (A)	Starting current (A)	Rated lamp watts (W)	Input watts (W)	OCV (V)	Dropout voltage (V)	UL 1029 code	Fuse rating (A)	Input current (A)	Power factor	Starting temperature
120	0.75	1.34	0.83	50	70	270	90	C	3	0.38 - 0.60	0.90	-20°F / -30°C
277	0.30	0.57	0.80	50	70	270	208	B	2	0.16 - 0.25	0.90	-20°F / -30°C
347	0.26	0.46	0.77	50	70	270	260	B	2	0.13 - 0.20	0.90	-20°F / -30°C

HIGH POTENTIAL TEST (V)

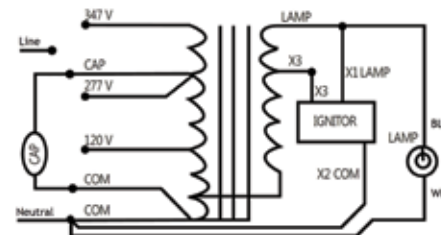
1 minute:	2 000
2 seconds:	2 500
OCV test:	240 - 265
Short circuit:	0.72 - 0.87

BALLAST DIMENSIONS

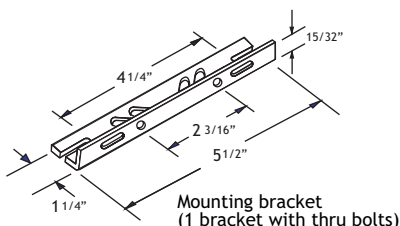
Dimension A:	1.04"
Dimension B:	2.10"
Lead lengths:	12" - 14"
Weight (lbs) :	3.20

WIRING DIAGRAM

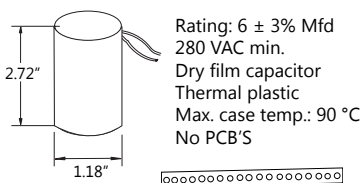
Ground ballast core



BRACKET



CAPACITOR



IGNITOR

