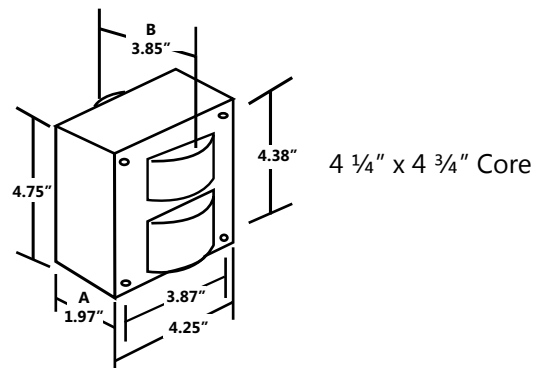
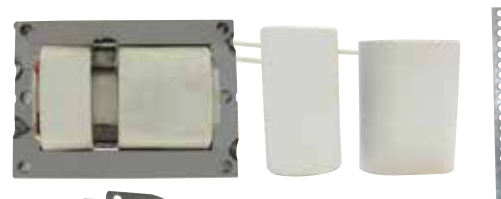


ORDERING INFORMATION

Order code: 62925
 Description: BHPS0250/TRITAP/C/CWA/H/K/STD
 UPC: 69549629257

SPECIFICATIONS

Ballast type: Magnetic high pressure sodium
 Ballast style: Core and coil
 Circuit type: CWA
 ANSI code: S50
 Input voltage (V): 120/277/347
 Input frequency (Hz): 60
 Line volt regulation: 10 %
 Line watt regulation: Within trapezoid
 Insulation class: H (180)



Input voltage (V)	Operating current (A)	Open circuit current (A)	Starting current (A)	Rated lamp watts (W)	Input watts (W)	OCV (V)	Dropout voltage (V)	UL 1029 code	Fuse rating (A)	Input current (A)	Power factor	Starting temperature
120	2.70	1.75	1.37	250	290	185	90	C	8	1.35 - 2.10	0.90	-40°F / -40°C
277	1.20	0.76	0.59	250	290	185	208	C	4	0.55 - 0.90	0.90	-40°F / -40°C
347	0.90	0.61	0.47	250	290	185	260	C	3	0.45 - 0.75	0.90	-40°F / -40°C

HIGH POTENTIAL TEST (V)

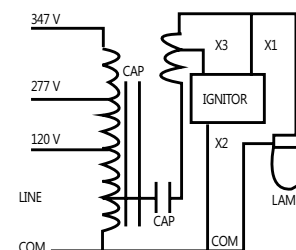
1 minute:	2 000
2 seconds:	2 500
OCV test:	180 - 220
Short circuit:	3.60 - 4.40

BALLAST DIMENSIONS

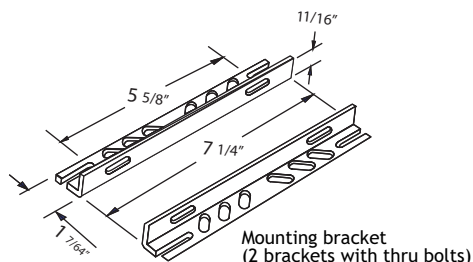
Dimension A:	1.97"
Dimension B:	3.85"
Lead lengths:	12" - 14"
Weight (lbs) :	12.02

WIRING DIAGRAM

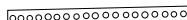
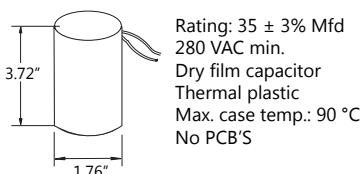
Ground ballast core



BRACKET



CAPACITOR



IGNITOR

